



Accessories Catalog



Ingersoll Rand Industrial Technologies provides products, services, and solutions to enhance the efficiency and productivity of our commercial, industrial, and process customers. Our innovative products include air compressors, air systems components, tools, pumps, material and fluid handling systems, and microturbines.

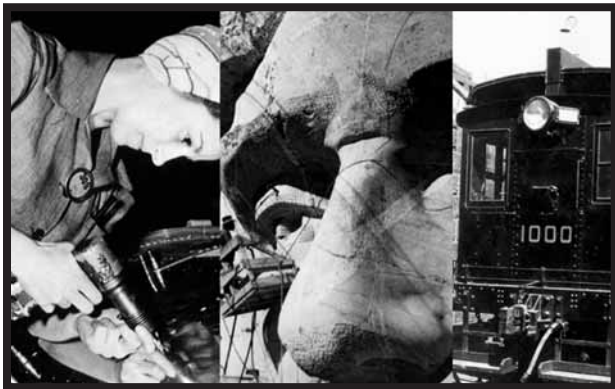
(800) 376-TOOL • irtools.com

Distributed by:

PROVEN POWER. PROVEN SOLUTIONS.

INGERSOLL RAND PRODUCTIVITY SOLUTIONS

For more than 100 years, the name Ingersoll Rand has been synonymous with quality and performance. With the creation of our first steam-powered rock drill more than a century ago, and continuing through countless innovations ever since, Ingersoll Rand has firmly positioned itself as a global leader for enhancing productivity in the workplace.



Ingersoll Rand
1 9 0 5 - 2 0 0 5

Ingersoll Rand Productivity Solutions is your customers' one source for ergonomics consulting, installation, preventive maintenance, system monitoring, repair service, aftermarket parts and accessories, and service in the following areas:

VEHICLE SERVICE SOLUTIONS

Whether your customers are professional auto mechanics or do-it-yourselfers, Ingersoll Rand provides a complete line of durable air tools, compressors, and lubrication equipment, as well as all the aftermarket accessories and servicing they need to keep things rolling along.

ASSEMBLY SOLUTIONS

At Ingersoll Rand, we take a 360-degree approach to enhancing your industrial customers' productivity. They can count on us before, during, and after the sale for support in these critical areas:

- Dispensing
- Engine Starting
- Ergonomic Handling
- Precision Fastening
- Tools & Systems

INDUSTRIAL PRODUCTIVITY SOLUTIONS

Today's most demanding industrial operations count on Ingersoll Rand to deliver the power and durability it takes to get the job done right. We provide the following solutions:

- Air Motors, Valves, & Cylinders
- Fluid Handling
- Hoists & Winches
- Tools

As you'll see in this catalog, Ingersoll Rand offers an extensive offering of aftermarket accessories designed to help your customers work more safely and comfortably, regardless of the industry or application.

AT EVERY TURN, WE'RE COMMITTED TO YOUR CUSTOMERS

MAXIMIZING PRODUCTIVITY THROUGH OUR TOTAL SOLUTIONS APPROACH

Any manufacturer can provide equipment or aftermarket accessories that people need in order to be productive on the job. At Ingersoll Rand, we believe productivity goes beyond product. That's why we take a 360-degree, total solutions approach to everything we do and provide.

To help you understand this total solutions approach, imagine a particular tool or its application as being like the hub, or center, of a wheel. Just as the spokes on that wheel support everything and keep things moving along smoothly, our total solutions approach enhances productivity by providing critical support and solutions when and where they're needed.

HOW THE CATALOG WORKS

As you'll see in the diagram below, Ingersoll Rand aftermarket parts, accessories, and services are grouped into five separate areas that signify where in a particular work environment they fit (e.g., user comfort) and how they support a particular tool's functionality and performance. Essentially, these groupings are the individual spokes in our total solutions wheel, if you will, with the tool being the "hub."

When you think in terms of what "spoke" a particular aftermarket part, accessory, or service happens to reside in relation to the "hub" (the tool) and the "wheel" (its use), this catalog will serve as an even more useful resource in servicing your customers' needs.

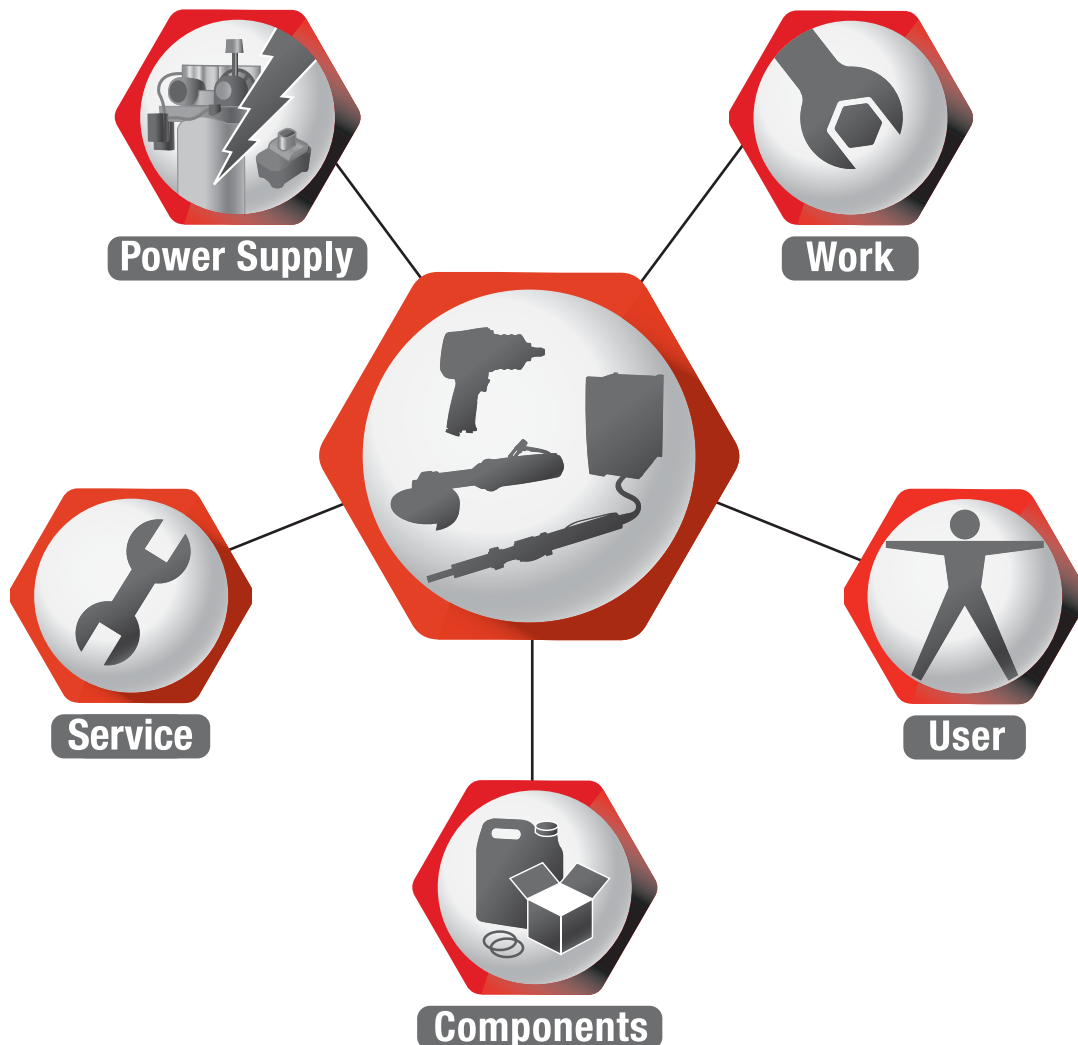


TABLE OF CONTENTS

POWER SUPPLY ACCESSORIES

Parts and accessories that help power the tool itself, including everything from the power source to the point where connection is made to the tool.



9 COMPRESSOR ACCESSORIES

Enhance the performance and productivity of your Ingersoll Rand air compressors and air delivery systems with our full line of specially engineered add-on equipment and accessories.



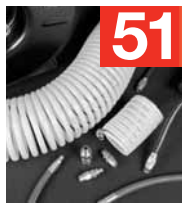
19 COUPLERS AND CONNECTORS

We offer a complete selection of threaded and hose barb couplers and connectors. You get unmatched durability and corrosion resistance — ideal for today's demanding shop environments.



31 SIMPLAIR PIPING

With push-in fittings and quality pipes, SimplAir systems provide ideal connections throughout your entire air distribution system. SimplAir systems are easy to install, modify, and expand.



51 FITTINGS AND HOSES

Ingersoll Rand swivels, hoses, and hose accessories are made of top-quality materials that can withstand the toughest workplace situations and applications.



61 FRLs

Ingersoll Rand / ARO brand filters, regulators, and lubricators (FRLs) are cost-effective solutions to increasing the life of your pneumatic equipment. They offer outstanding air preparation, mounting flexibility, and safety.



131 LIQUIDATOR™ FILTERS

With Ingersoll Rand Liquidator™ filters in your air delivery system, rest assured you're getting clean, dry air to all your operations — reducing the risk of damage and increasing productivity and tool life, all while cutting maintenance costs.



137 AIR LINE VALVES AND GAUGES

We offer a complete selection of valves, gauges, and accessories designed to keep your air lines performing at their peak.



143 FLUID PRODUCTS AND ACCESSORIES

We offer a full range of lubrication accessories that will keep all types of fluids moving efficiently through your operation. They are designed to the same high standards of quality and performance as our tools and air compressors.



157 CORDLESS ACCESSORIES

Our cordless tools are powered by long-lasting 14.4-volt NiCad battery packs, which are as reliable and durable as the tools themselves.

On each right-hand page of the catalog you'll notice an icon indicating where in the "wheel" a particular part or accessory resides in relation to a specific tool.



Work

TABLE OF CONTENTS *(CONTINUED)*

WORK ACCESSORIES

Parts and accessories mounted directly onto the tool itself and used to perform a particular job or application.



161 IMPACT SOCKETS

Our sockets are specifically designed for use with Ingersoll Rand power tools. They're durable, reliable, and are the perfect solution for your everyday tightening and loosening requirements.



169 CONSTRUCTION TOOL STEELS AND ACCESSORIES

Ingersoll Rand offers a wide variety of high-quality chisels, retainers, and steels designed to enhance the performance of our tools. These accessories are available in the most popular shank configurations and lengths.



181 SANDING AND POLISHING PADS

We offer a full range of sanding, backing, and polishing pads that deliver reliable results in every phase of your surface preparation process.



187 CARBIDE GRINDING BURS

By using our versatile, durable, high-precision burs, you'll get the most out of Ingersoll Rand grinders and finishing tools. These carbide burs set the industry standard for quality, and come in a variety of types, styles, and sizes.



191 SAW BLADES AND ACCESSORIES

Today's high-strength steels, advanced plastics, and new composite materials are no match for Ingersoll Rand saw blades and accessories. They're designed to fit our air cutting tools, reciprocating saws, and circular saws.



193 COLLETS

Our collets are engineered to the highest level of performance and durability.



197 DRILL ACCESSORIES

Ingersoll Rand provides all of the accessories you need to tackle any drilling, reaming, honing, or brushing project.



201 SCREWDRIVER AND NUTRUNNER ACCESSORIES

Want to get more from your Ingersoll Rand light assembly tools? Our screwdriver bits are available in the most common sizes to better satisfy your fastening requirements.

USER ACCESSORIES

Accessories designed to make using the particular tool more comfortable, easier to use, and safer for the operator.



209 GLOVES

The Ingersoll Rand line of top-quality work gloves enables you to pair up the industry's toughest tools — ours — with gloves that offer the utmost in protection, comfort, and performance.



211 ERGONOMIC ACCESSORIES

We offer a superior line of ergonomic accessories designed to help you work safer and more comfortably. The line includes tool boots, comfort grips, and braces.



217 BALANCERS

With more than 50 models to choose from, there's an Ingersoll Rand balancer to satisfy virtually any balancing requirement.



223 POINT-OF-USE ACCESSORIES

Ingersoll Rand makes it easier for you to work more efficiently and safely with a complete line of job-specific parts and accessories.



233 EXHAUST KITS AND ACCESSORIES

The Ingersoll Rand line of exhaust kits and accessories keeps the air moving efficiently and conveniently away from you, letting you focus on the job at hand.



235 VACUUM KITS AND ACCESSORIES

Our Jet-Vac dust extraction system sucks up more air than it takes to actually run our tools. It's perfect for use with our sanders and grinders.



237 MUFFLERS

Ingersoll Rand tools make a lot of noise in the industry because they simply work harder than the competition. Our pavement breaker and digger mufflers have everybody talking, too.



239 PRECISION FASTENING ACCESSORIES

Choose from a wide range of parts and accessories designed to enhance the performance of our assembly tools and maximize workstation efficiency and productivity.

COMPONENTS

The parts of the tool that over time need to be replaced or maintained for peak performance.



257 LUBRICANTS

Ingersoll Rand offers a complete selection of specialized oils and greases to complement our full line of air tools, helping prolong the life of tool motors, governors, impact mechanisms, and clutches.



261 REPAIR KITS AND PARTS

Keep your Ingersoll Rand tools running strong and reliably with our repair kits and replacement parts.

SERVICE

PAGE 268

PARTS INDEX

PAGE 271



POWER SUPPLY ACCESSORIES



For more than 65 years, Ingersoll Rand has been powering industrial performance and productivity. We've long been the world leader in air compressor technology and air system accessories.

You can count on our products to perform, not just because they're durable and reliable, but also because we understand the business demands you face and how your air system fits into your bottom line. Today's increasing energy costs and reduced margins require greater reliability and efficiency from your entire air system — from the compressor to the tool, and at every point in-between.

If you want to get the most out of your air system, choose Ingersoll Rand for all your parts and accessories.





POWER SUPPLY ACCESSORIES



POWER SUPPLY ACCESSORIES

Compressor Accessories	9
Couplers and Connectors	19
SimplAir Piping	31
Fittings and Hoses	51
Filters, Regulators, and Lubricators (FRLs)	61
Liquidator™ Filters	131
Air Line Valves and Gauges	137
Fluid Product Accessories	143
Cordless Accessories	157

COMPRESSOR ACCESSORIES



INGERSOLL RAND COMPRESSOR ACCESSORIES

The air compressor is the foundation of every pneumatic system, and we've long been the leader in providing compressors of the highest durability and reliability. You can further enhance the performance of your pneumatic system by incorporating genuine Ingersoll Rand accessories specifically engineered for our compressor units.

REFRIGERATED DRYERS

Ingersoll Rand refrigerated air dryers protect your tools, machinery, and equipment from harmful moisture while saving energy and reducing system downtime. The unique design improves dryer efficiency and minimizes maintenance through fewer moving parts. The easy-to-read diagnostic controls provide a constant indication of dryer performance. Units are compact, lightweight, and can be easily floor- or wall-mounted. Ingersoll Rand refrigerated air dryers are ideal for paint spraying and coating operations or pneumatic instrumentation applications, and use environmentally friendly refrigerants – R134A or 407C.

REFRIGERATED DRYSTAR

Refrigerated DryStar



Part Number	Nominal Airflow cfm	Max Pressure psig	Max Absorbed Power kW	Air Connection NPT	Dimensions H x W x D	Approx Weight lb
Refrigerated DryStar						
42501551	5	232	.24	3/8"	17.9" x 7.8" x 17.7"	40
42493494	10	232	.24	3/8"	17.9" x 7.8" x 17.7"	40
42493502	15	232	.27	3/8"	17.9" x 7.8" x 17.7"	44
42493510	25	232	.36	1/2"	20.9" x 11.1" x 23.6"	70
42493528	35	232	.51	1/2"	20.9" x 11.1" x 23.6"	74
42493536	50	232	.69	3/4"	23.8" x 13.9" x 27.6"	100
42493544	75	232	.88	3/4"	23.8" x 13.9" x 27.6"	122
16542417	100	232	1.19	3/4"	23.8" x 13.9" x 27.6"	128

The economically priced DryStar cools compressed air by mechanical refrigeration to a 33 – 39° F pressure dewpoint. Condensed water is removed through an automatic drain valve. Featuring low power consumption, DryStar dryers are simple to install with a quick-fit electrical connection. Each DryStar dryer uses environmentally friendly R134A refrigerant.

Ratings are based on 100° F inlet air temperature and 100 psig inlet air pressure. Maximum inlet temperature is 140° F, maximum pressure is 232 psig.

REFRIGERATED THERMOSTAR

Refrigerated ThermoStar



Part Number	Nominal Airflow cfm	Max Pressure psig	Max Absorbed Power kW	Electrical Supply	Dimensions H x W x D	Air Connection NPT	Approx Weight lb
Refrigerated ThermoStar							
42493155	100	175	0.73	115-1ph-60 Hz	24" x 22" x 31"	1-1/2"	143
42493163	150	175	0.83	208 / 230V-1ph-60 Hz	24" x 22" x 31"	1-1/2"	146
42493171	200	175	1.19	208 / 230V-1ph-60 Hz	24" x 22" x 31"	1-1/2"	154

ThermoStar refrigerated air dryers cool compressed air by mechanical refrigeration to a 33 – 39° F pressure dewpoint. Condensed water is removed through a timed solenoid automatic drain valve. A pre-cooler maximizes the refrigeration efficiency, and a compact heat exchanger ensures the smallest possible footprint. Each ThermoStar dryer uses environmentally friendly R407C refrigerant and features a standard controller with on/off main switch (separate power on line and alarm lamps), and electric drain valve with adjustable operation set points.

Ratings are based on 100° F inlet air temperature and 100 psig inlet air pressure. Maximum inlet temperature is 122° F; maximum pressure is 175 psig.

START-UP KITS

Start-up kits include all the parts needed to maintain your compressor for one year, plus the added protection of extended warranty coverage.

Kits Include:

- All-Season Select® lubricant – a synthetic, all-temperature blend designed to increase efficiency, reduce wear, and prevent carbon build-up
- Replacement filter elements
- Engine oil and filters are also included in kits for gas-driven compressors
- Two-year extended warranty (pump only)

Electric Start-up Kits

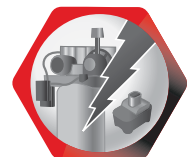


Compressor Model	Part Number
Electric Start-up Kits	
SS3 electric units	97338099
SS5 electric units	20100251
TS4/5/51 electric units	32332827
TS7 electric units	22180145
TS10 electric units	85582740
TS15 electric units	22180129
2000 electric units	20102877

Gas Start-up Kits



Compressor Model	Part Number
Gas Start-up Kits	
TS7F12.5G Kohler gas units	32312936
TS7F13GHG Honda gas units	32498511
TS7F11.5GKA Kawasaki gas units	32305872
SS3J5.5GB-WB Briggs & Stratton gas units	49816150
SS3J5.5GH-WB Honda gas units	97339501
SS3J5.5GH-AS Honda gas units	97339501



Power Supply

INSTALLATION KITS

Installation Kits



Kit Number	Description	Part Number	Quantity
1/2" Standard Installation Kits			
38335402*	Vibration pads	32321002	4
	1/2" x 3' braided hose	38335295	1
	1/2" JIC to NPT male adapter	38335337	2
	1/2" x 4" foundation bolts	38335329	4
	Instruction sheet	22256549	1
3/4" Standard Installation Kits			
38335410**	Vibration pads	32321002	4
	3/4" x 3' braided hose	38335303	1
	3/4" JIC to NPT male adapter	38335345	2
	1/2" x 4" foundation bolts	38335329	4
	Instruction sheet	22256549	1
1" Standard Installation Kits			
38335394***	1" x 3' braided hose	38335311	1
	1" JIC to NPT male adapter	38335352	2
	1/2" x 4" foundation bolts	38335329	4
	Instruction sheet	22256549	1

*For compressor models SS3, SS5, and TS4/5/51 electric units.

**For compressor models TS7, TS10, and TS15 electric units.

***For 2000 Series electric compressor models. The 1" kits do not have vibration pads due to pads being shipped as standard with the 2000 Series air compressor packages.

MAINTENANCE KITS

Compressor Model	Valve / Gasket Kit	Ring / Gasket Kit	Bearing Kit	Air Filter	Overhaul Kit	Gasket Kit
Maintenance Kits						
SS3 Electric Units	97338107	97338115	N/A	70243712	N/A	N/A
TS4/5/51 Electric Units	85584316	85580470	85581445	32170979	85581486	85581478
TS7 Electric Units	22185078	22185052	22185094	32170979	22185110	22185136
TS7 Gas Units	85584316	85580470	85581445	32170979	85581486	85581478
TS10 Electric Units	85582385	85582393	85582401	54406640	85582427	85582419
TS15 Electric Units	22185086	22185060	22185102	32170979	22185128	22185144
SS5 Electric Units	20100277	20100285	N/A	32170979	N/A	N/A
2000 Electric Units	20103081	20103099	20103107	32170979	22222053	N/A

LUBRICANTS

Lubricant



Coolant / Lubricant	Base Stock	Viscosity Index	Hours	ISO Viscosity Grade	SAE Grade
Lubricant					
All-Season Select®	Diester	128	2,000	68 / 150	20W40

All-Season Select	Quantity	Part Number
Lubricant		
Box of quarts	(12) 1-qt	32318883
Box of 1/2 liter	(6) 1/2 liter	97338149

All-Season Select® Lubricant

All-Season Select® lubricant is a synthetic, all-temperature blend that is designed to increase efficiency, reduce wear, and prevent carbon build-up. It performs four times longer than petroleum-based lubricants. Recommended 2,000 hours of service between lubricant change-out under normal operating conditions.

ELECTRONIC DRAIN VALVES (EDV)

Electronic Drain Valves (EDV)



Benefits

- Manual test button
- Two-year warranty
- Prevents rusting
- Delivers drier air to extend the life of tools and pneumatic equipment
- Eliminates manual draining

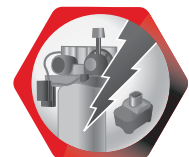
Voltage		Inlet Pipe Connection	Outlet Pipe Connection	Orifice
110 / 120 V	230 / 240 V			
Electronic Drain Valves (EDV)				
37995925	37995933	0.50 NPT	0.25 NPT	3/32"
54410931	37995909	0.50 NPT	0.25 NPT	7/16"
37995891	37995917	0.50 NPT	0.50 NPT	7/16"
38000865	38000873	0.50 BSP	0.25 BSP	7/16"
38000808	38000881	0.50 BSP	0.50 BSP	7/16"
54579248*	97339402	JIC-14	0.25 NPT	3/32"

Part Number	Description
Electronic Drain Valve Accessories	
54381090	1/2" x 1/4" male NPT valve connection
37996337	1/2" x 1/4" male NPT valve connection
38000154	Stainless steel filter screen

*JIC connection for field retrofits on T30 compressors.

EDV-2000 Electronic Drain Valve

The EDV-2000 is a full-feature, automatic electronic drain valve that cost-effectively removes condensate from compressors, receivers, dryers, aftercoolers, filters, and drip legs. Each EDV-2000 includes an electric drain, manual blowdown valve, and a strainer / ball valve, which prevents debris from clogging the drain valve. The maximum pressure is 250 psi.



Power Supply

PacE CONTROLLER

PacE Controller



PacE air controllers provide total air system control through a single device, giving you the ability to see both upstream and downstream pressures from one convenient location.

Part Number	Description	Connection Size	Max Flow Rate cfm	Max Inlet Pressure psig	Control Range psig	Operating Temperature Range
PacE Controller						
38342119	PacE .5 unit	1/2" NPT Female	60	232	144 – 7	176° – -4° F
38342127	PacE .5 repair kit	1/2" NPT Female	60	232	144 – 7	176° – -4° F
38334314	PacE I unit	1" NPT Female	250	232	145 – 7	176° – -4° F
38036281	PacE I repair kit	1" NPT Female	250	232	145 – 7	176° – -4° F
38041166	PacE II unit	2" NPT Female	650	150	150 – 7	176° – -4° F
88317359	PacE II replacement control valve (no repair kit available)	2" NPT Female	650	150	150 – 7	176° – -4° F
88317375	PacE II tamper-proof cap	2" NPT Female	650	150	150 – 7	176° – -4° F
88317367	PacE II replacement pilot regulator (complete)	2" NPT Female	650	150	150 – 7	176° – -4° F

Benefits

- **Energy savings** of 7% for every 14 psi reduction in system pressure.
 - Reduces the pressure of the air leaking from a system. All systems can potentially have leaks, but losing air at 80 psi is better than losing it at 125 psi.
- **Single-point control** for your whole system.
 - Eliminates the need to regulate airflow at every point in the system.
- **Prolonged compressor and equipment life.**
 - Protects all downstream equipment by preventing high pressure from feeding into the system and reducing the life expectancy of the equipment.
- **Reduced maintenance costs.**
 - It is possible in some installations to turn off the compressor, achieving power cost savings.
- **Simple installation and operation.**

CMS 6 CONDENSATE CONTROLLER

CMS 6 Condensate Controller



Part Number	Description
CMS 6 Condensate Controller	
38432621	125' of transparent polyurethane 1/4" tubing
38432613	1/8" NPT check valve

The CMS-6 Condensate Controller is the industry's most reliable and environmentally safe light industrial air system condensate management solution.

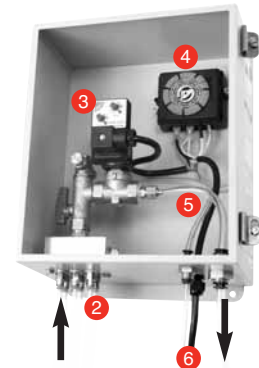
How the CMS-6 Controller works

The system's air and condensate discharge enters the CMS-6 through the six inlet check valves located on the bottom left-hand side of the unit. Each of these inlets can be connected to any system drain point using the included installation hardware and tubing. When the system's drain valve actuates, the entire condensate supply is relieved through the single discharge line on the bottom right-hand side of the unit. To optimize energy savings and condensate control, the CMS-6's integrated timer is set by the operator to enable condensate control based on the compressor's operating schedule.

CMS-6 Major Components

1. Installation hardware
2. (6) 1/4" x 1/8" NPT inlet check valves
3. Electric drain valve (w/ strainer and drain line)
4. Integrated 24/7 system timer
5. (1) 3/8" system condensate outlet and (1) 1/4" service drain line
6. (1) 115 V electrical connector

Key: ➔ Represents condensate path.

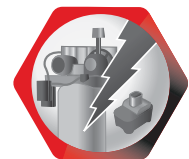


Benefits

- Quick and easy system installation
- Installation kit includes all necessary tubing and hardware
- Single point control for up to six condensate drain points
- 115 V power supply
- Integrated 24/7 timer to match controller operation to air system demand
- Single system drain point, which can be routed to an Ingersoll Rand PolySep oil and water separator for the ultimate environmental system solution
- Integrated miniature check valves at system inlets to alleviate system back pressure
- Compact system design housed in a robust box providing reliable, unobtrusive condensate control for entire air system

Installation

1. Mount the CMS-6 cabinet in desired location (must be within 6' of 115 V receptacle).
2. Set the 24/7 timer based on the compressor's operating schedule.
3. Set the frequency and duration for the electric drain valve operation.
4. Using the included hardware kit, attach all system drain points to the six 1/4" inlets.
5. Attach the 3/8" tubing from the single CMS-6 outlet port to a suitable environmentally acceptable condensate drain point, preferably an appropriately sized Ingersoll Rand PolySep oil and water separator.
6. Plug the CMS-6's electrical cord into a 115 V receptacle to power the unit.



Power Supply

POLYSEP CONDENSATE SYSTEM

PolySep Condensate Systems



PS-030 and PS-060



PS-125

PolySep Condensate Systems address the inability of traditional gravity separators to handle emulsions, such as polyglycol lubricant. The unique design of the PolySep system utilizes a proprietary adsorption module to break the chemical bond and entrain the emulsified lubricant within the adsorption module. The solids are collected in the adsorption module and the cleaned condensate is safely disposed of into the sanitary sewer.

Advantages of PolySep Condensate Separators

- Works with biodegradable (polyglycol) fluids and Ultra Coolant
- Also works with mineral oil, PAO's, polysolesters, and diesters
- No electricity — rated for 250 psi
- Fully automatic
- Multiple capacities — allows for systems that use multiple equipment with different lubricant to be sent to one location for separation
- Easy to maintain — adsorption modules are sized to operate 8,000 hours or for one year under standard operating conditions; adsorption modules are self-contained and are easy to change and dispose
- One-year warranty

Part Number	Max Capacity cfm	Max hp	Adsorption Module Volume	Air Inlet NPT	Condensate Inlets	Oil Outlet	Water Outlet	Dimensions L x W x H	Weight lb
PolySep Condensate Systems									
38041596	30	10	1	N/A	1/2" (1)	1/2"	1/2"	N/A	15
42528455	60	15	1	N/A	1/2"	N/A	3/4"	11.5" x 11.5" x 27.5"	25
38339040	125	30	5	N/A	1/2"	N/A	3/4"	28.5" x 19.5" x 30.8"	N/A

Model	Part Number
PolySep Replacement Adsorption Modules	
PS-030	38041604
PS-060	42528505
PS-125	38339057

Part Number	Description
PolySep Pump Rebuild Kits	
38336897	Diaphragm kit
38041752	Check valve kit
38041760	Spool kit



Kit Includes:

- (2) 2-way 1/4" manifolds
- (2) Reducing bushings
- (8) 1/4" plugs

INLINE AIR FILTERS

Inline Air Filters



Part Number	Capacity cfm	Maximum Pressure psi	Inlet / Outlet NPT	Filter Rating Microns	Dimensions H x W	Replacement Element*
General Purpose Filters						
42515809	19	232	1/4"	1	9.9" x 3.5"	88342977
42515817	40	232	3/8"	1	10.4" x 3.5"	88342985
42515825	64	232	1/2"	1	11.3" x 3.5"	88342993
42515833	123	232	3/4"	1	13.9" x 5.1"	88343124
42515841	216	232	1"	1	17.5" x 5.1"	88343132
High Efficiency Filters						
42515932	19	232	1/4"	0.01	9.9" x 3.5"	88343009
42515940	40	232	3/8"	0.01	10.4" x 3.5"	88343017
42515957	64	232	1/2"	0.01	11.3" x 3.5"	88343025
42515973	123	232	3/4"	0.01	13.9" x 5.1"	88343157
42515981	216	232	1"	0.01	17.5" x 5.1"	88343165

*See replacement filter table below.

Benefits

- Proven to exceed ISO air quality
- Quickest, simplest maintenance of any filter design
- Built-in safety protection
- Lowest pressure drop available
- Corrosion-resistant alocrom treatment
- 10-year housing guarantee

Inline Air Filters

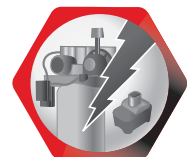
Ingersoll Rand coalescing filters save energy and protect your tools, machinery, and equipment from harmful contaminants by effectively removing solid particulates, liquid water, oil, and aerosols from compressed air.

Our General Purpose Filters remove particulates down to 1.0 micron, which meets general industry requirements for coarse filtration. Our High Efficiency Filters remove contaminants down to 0.1 micron, which meets difficult compressed air filtration requirements. The new filter design is easy to install and loaded with standard features to reduce maintenance and downtime. All filters feature a 10-year warranty on housing.

Replacement Filter Element



Part Number	Quantity
General Purpose Replacement Filter Elements	
88342977	1
88342985	1
88342993	1
88343124	1
88343132	1
High Efficiency Replacement Filter Elements	
88343009	1
88343017	1
88343025	1
88343157	1
88343165	1



Power Supply

POINT-OF-USE PROVIDER (PUP)

Point-of-Use Providers (PUP)



PUP Models	Part Number
Point-of-Use Providers (PUP)	
NPT PUP (American market only)	42526707
BSP PUP	42526715
Replacement element	38027223
Automatic drain kit	88344171
Wall mounting bracket	38027249
O-ring kit	38032165

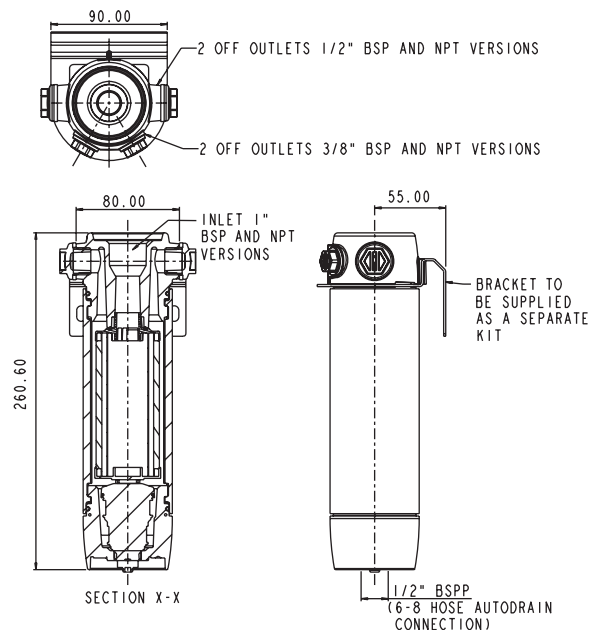
A Point-of-Use Provider (PUP) is a 3-in-1 solution for the bottom of a compressed air drop. In one compact unit, the PUP is a filter, automatic drain, and manifold for multiple distribution. PUP incorporates a high efficiency 1-micron coalescing filter, which will remove solid particles, moisture, and oil contamination leaving the air clean and your system protected. PUP's unique design provides the solution for condensate removal and multiple outlet connections all in one compact unit. From a 1" female top entry connection, up to four outlet connections can be made to PUP. Two 1/2" ports and two 3/8" ports are positioned around the head of the unit allowing for any piping configuration.

TECHNICAL SPECIFICATIONS

Particle removal down to 1 micron including coalesced liquid water and oil, providing a maximum remaining oil aerosol content of 0.6 mg/m³ (0.5 ppm) at 21° C (70° F).

OPERATING LIMITATIONS

Max Flow of Unit	1.70 m ³ /min (60 cfm)
Max Operating Pressure	232 psig (16 bar)
Max Recommended Operating Temp	150° F (66° C)
Min Recommended Operating Temp	34° F (1° C)
Recommended Filter Element Change	12 months or 6,000 hours



COUPLERS AND CONNECTORS



INGERSOLL RAND COUPLERS AND CONNECTORS

Ingersoll Rand is your link to enhanced productivity through our complete selection of threaded and hose barb couplers and connectors. The automatic push-to-connect feature that comes standard saves air line connection time and effort. Slim profiles and lightweight designs help minimize operator fatigue, as well as prevent snagging and accidental disconnection. Their unmatched durability and corrosion resistance make them ideal for today's demanding shop environments.

INGERSOLL RAND COUPLERS AND CONNECTORS

The complete line of Ingersoll Rand couplers and connectors offers these advantages:

Quality Assurance

Every Ingersoll Rand coupler is individually leak tested to assure the highest standards of performance.

Push-to-connect Convenience

The smooth, automatic push-to-connect feature (no need to manually retract the coupler sleeve) is standard on all Ingersoll Rand couplers.

Extra Durability

All-steel construction with case-hardened wear points provides added reliability and service life.

Slim Profile and Lightweight Design

Ingersoll Rand couplers are smaller in size than most competitive models. Less bulk means less weight for reduced operator fatigue.

Slim profile helps prevent snagging and accidental disconnection.

Corrosion Resistance

Bright zinc plating both internally and externally provides excellent corrosion protection. All valve springs are fatigue-resistant stainless steel.

Complete Selection

Couplers and connectors are available in a wide range of threaded and hose barb sizes to meet your requirements.

HOW TO ORDER

AIR LINE COUPLER AND PLUG KEY

Example: ARCF21

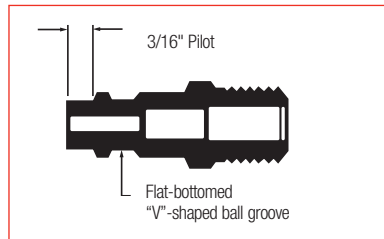
AR	C	F	2	1
Coupler Style AR = ARO 210 / 310 FB = ARO Full-bore HF = ARO High-flow MS = Mil-spec PR = Industrial composite	Connective Type C = Coupler P = Plug	Thread / Hose Type F = Female NPT M = Male NPT P = Push-on H = Hose stem R = Reusable hose	Body Size 2 = 1/4" 3 = 3/8" 4 = 1/2"	Thread NPT / Hose ID 1 = 1/8" 2 = 1/4" 3 = 3/8" 4 = 1/2" 5 = 5/16" 6 = 3/4"

REUSABLE HOSE COUPLER KEY

Example: FBCR33-042

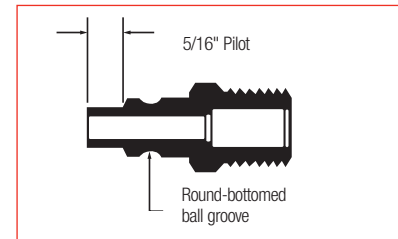
FB	C	R	33	042
Coupler Style FB = ARO Full-bore HF = ARO High-flow	Connective Type C = Coupler P = Plug	Hose Type R = Reusable hose	Body Size 22 = 1/4" 33 = 3/8" 44 = 1/2"	Hose Size 42 = 1/4" ID x 1/2" OD 44 = 1/4" ID x 5/8" OD 53 = 5/16" ID x 5/8" OD 62 = 3/8" ID x 5/8" OD 63 = 3/8" ID x 11/16" OD 64 = 3/8" ID x 3/4" OD 72 = 1/2" ID x 7/8" OD

INDUSTRIAL INTERCHANGE



Includes MS, HF, and FB Series.

ARO DESIGN



MS SERIES Industrial Interchange

- Economical automatic-type, one-way shutoff coupler
- Easy, push-to-connect use

Female Couplers



Automatic NPT



Hose Stem ID



Manual NPT

Body Size	NPT Or Hose Stem ID	Average Flow cfm*	Manual NPT Part Number	Automatic NPT Part Number	Hose Stem ID Part Number
Female Couplers					
1/4"	1/4"	36	N/A	MSCF22	MSCH22
1/4"	3/8"	36	N/A	MSCF23	MSCH23
3/8"	3/8"	67	420ATH	MSCF33	MSCH33
3/8"	1/2"	67	440ATH	N/A	N/A
1/2"	1/2"	126	N/A	MSCF44	MSCH44

Female Plugs



Female NPT



Hose Stem ID



45ATH

Body Size	NPT Or Hose Stem ID	Average Flow cfm*	Female NPT Part Number	Hose Stem ID Part Number
Female Plugs				
1/4"	1/8"	36	MSPF21	N/A
1/4"	1/4"	36	MSPF22	MSPH22
1/4"	3/8"	36	MSPF23	MSPH23
3/8"	1/4"	67	MSPF32	N/A
3/8"	3/8"	67	MSPF33	MSPH33
3/8"	1/2"	67	45ATH	MSPH34
1/2"	3/8"	126	MSPF43	N/A
1/2"	1/2"	126	MSPF44	MSPH44
1/2"	3/4"	126	MSPF46	N/A

*At 90 psig inlet and 10 psig pressure drop.

Male Couplers



Automatic NPT



Hose Stem ID



4100ATH



430ATH

Body Size	NPT Or Hose Stem ID	Average Flow cfm*	Manual NPT Part Number	Automatic NPT Part Number	Hose Stem ID Part Number
Male Couplers					
1/4"	1/4"	36	N/A	MSCM22	MSCH22
1/4"	3/8"	36	N/A	MSCM23	MSCH23
3/8"	1/4"	67	N/A	4100ATH	N/A
3/8"	3/8"	67	430ATH	MSCM33	MSCH33
1/2"	1/2"	126	N/A	MSCM44	MSCH44

Male Plugs



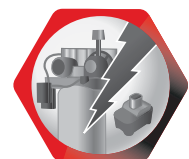
Male NPT



Hose Stem ID

Body Size	NPT Or Hose Stem ID	Average Flow cfm*	Male NPT Part Number	Hose Stem ID Part Number
Male Plugs				
1/4"	1/8"	36	MSPM21	N/A
1/4"	1/4"	36	MSPM22	MSPH22
1/4"	3/8"	36	MSPM23	MSPH23
3/8"	1/4"	67	MSPM32	N/A
3/8"	3/8"	67	PRPM33	MSPH33
3/8"	1/2"	67	MSPM34	MSPH34
1/2"	3/8"	126	MSPM43	N/A
1/2"	1/2"	126	MSPM44	MSPH44

*At 90 psig inlet and 10 psig pressure drop.



Power Supply

HI-FLOW SERIES Industrial Interchange

- Premium automatic-type, one-way shutoff coupler
- Delivers high volume air with low pressure drop
- Features a protective drag collar that minimizes accidental disconnection

Female Couplers



Female NPT



Hose Stem ID

Body Size	NPT Or Hose Stem ID	Hose Stem OD	Average Flow cfm*	Female NPT Part Number	Hose Stem ID Part Number
Female Couplers					
1/4"	1/4"	5/8"	38	HFCF22	HFCH22
1/4"	3/8"	5/8"	38	HFCF23	HFCH23
3/8"	1/4"	1/2"	72	HFCF32	N/A
3/8"	3/8"	5/8"	72	HFCF33	HFCH33
3/8"	1/2"	-	72	HFCF34	HFCH34
1/2"	1/2"	7/8"	85	HFCF44	HFCH44

Female Plugs



Female NPT



Hose Stem ID



45ATH

Body Size	NPT or Hose Stem ID	Average Flow cfm*	Female NPT Part Number	Hose Stem ID Part Number
Female Plugs				
1/4"	1/8"	38	MSPF21	N/A
1/4"	1/4"	38	MSPF22	MSPH22
1/4"	3/8"	38	MSPF23	MSPH23
3/8"	1/4"	72	MSPF32	N/A
3/8"	3/8"	72	MSPF33	MSPH33
3/8"	1/2"	72	45ATH	MSPH34
1/2"	3/8"	85	MSPF43	N/A
1/2"	1/2"	85	MSPF44	MSPH44
1/2"	3/4"	85	MSPF46	N/A

*At 90 psig inlet and 10 psig pressure drop.

Male Couplers



Male NPT



Hose Stem ID

Body Size	NPT Or Hose Stem ID	Hose Stem OD	Average Flow cfm*	Female NPT Part Number	Hose Stem ID Part Number
Male Couplers					
1/4"	1/4"	5/8"	38	HFCM22	HFCH22
1/4"	3/8"	5/8"	38	HFCM23	HFCH23
3/8"	1/4"	1/2"	72	HFCM32	N/A
3/8"	3/8"	5/8"	72	HFCM33	HFCH33
3/8"	1/2"	-	72	HFCM34	HFCH34
1/2"	1/2"	7/8"	85	HFCM44	HFCH44

Male Plugs



Male NPT



Hose Stem ID



PRPM33

Body Size	NPT Or Hose Stem ID	Average Flow cfm*	Male NPT Part Number	Hose Stem ID Part Number
Male Plugs				
1/4"	1/8"	38	MSPM21	N/A
1/4"	1/4"	38	MSPM22	MSPH22
1/4"	3/8"	38	MSPM23	MSPH23
3/8"	1/4"	72	MSPM32	N/A
3/8"	3/8"	72	PRPM33	MSPH33
3/8"	1/2"	72	MSPM34	MSPH34
1/2"	3/8"	85	MSPM43	N/A
1/2"	1/2"	85	MSPM44	MSPH44

*At 90 psig inlet and 10 psig pressure drop.

FULL BORE® SERIES Industrial Interchange

- Premium automatic-type, one-way shutoff coupler
- Pressure-relieving feature fully vents downstream air, making connection / disconnection fast and easy, and reducing hose whip
- Unique straight-through design eliminates restrictive springs and poppet valves, allowing unimpeded airflow
- Accidental uncoupling virtually eliminated

Female Couplers



Female NPT



Hose Stem ID

Body Size	NPT Or Hose Stem ID	Hose Stem OD	Average Flow cfm*	Female NPT Part Number	Hose Stem ID Part Number
Female Couplers					
3/8"	3/8"	5/8"	95	FBCF33	FBCH33
3/8"	1/2"	N/A	95	FBCF34	FBCH34
1/2"	3/8"	3/4"	150	N/A	FBCH43
1/2"	1/2"	7/8"	150	FBCF44	FBCH44

Female Plugs



Female NPT



Hose Stem ID

Body Size	NPT Or Hose Stem ID	Average Flow cfm*	Female NPT Part Number	Hose Stem ID Part Number
Female Plugs				
3/8"	1/4"	95	MSPF32	N/A
3/8"	3/8"	95	MSPF33	MSPH33
3/8"	1/2"	95	45ATH	MSPH34
1/2"	3/8"	126	MSPF43	N/A
1/2"	1/2"	126	MSPF44	MSPH44
1/2"	3/4"	126	MSPF46	N/A

*At 90 psig inlet and 10 psig pressure drop.

Male Couplers



Male NPT



Hose Stem ID

Body Size	NPT Or Hose Stem ID	Hose Stem OD	Average Flow cfm*	Male NPT Part Number	Hose Stem ID Part Number
Male Couplers					
3/8"	1/2"	N/A	N/A	FBCM34	FBCH34
1/2"	3/8"	3/4"	N/A	FBCM43	FBCH43
1/2"	1/2"	7/8"	150	FBCM44	FBCH44
1/2"	3/4"	N/A	150	FBCM46	N/A

Male Plugs



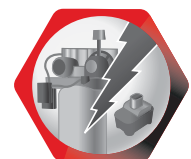
Male NPT



Hose Stem ID

Body Size	NPT Or Hose Stem ID	Average Flow cfm*	Male NPT Part Number	Hose Stem ID Part Number
Male Plugs				
3/8"	3/8"	95	MSPM22	MSPH33
3/8"	1/4"	95	MSPM32	N/A
3/8"	1/2"	95	MSPM34	MSPH34
1/2"	3/8"	150	MSPM43	N/A
1/2"	1/2"	150	MSPM44	MSPH44

*At 90 psig inlet and 10 psig pressure drop.



Power Supply

PR SERIES Quick Connect Double-action Composite Safety Couplers

Couplers

- Made of non-marring composite
- Safety coupler eliminates accidental disconnects
- Easy connect, disconnect
- Allows you to bleed hoses
- Shockproof and crush-resistant

Female Thread Couplers



Body Size	NPT	Average Flow cfm*	Part Number
Female Thread Couplers			
1/4"	1/4"	32	PRSGF22
1/4"	3/8"	32	PRSGF23
3/8"	3/8"	64	PRSGF33
3/8"	1/2"	64	PRSGF34
1/2"	3/8"	147	PRSGF43
1/2"	1/2"	147	PRSGF44
1/2"	3/4"	147	PRSGF46

Male Thread Couplers



Body Size	NPT	Average Flow cfm*	Part Number
Male Thread Couplers			
1/4"	1/4"	32	PRSGM22
1/4"	3/8"	32	PRSGM23
3/8"	3/8"	64	PRSGM33
3/8"	1/2"	64	PRSGM34
1/2"	3/8"	147	PRSGM43
1/2"	1/2"	147	PRSGM44
1/2"	3/4"	147	PRSGM46

Hose Barb Couplers



Body Size	NPT	Average Flow cfm*	Part Number
Hose Barb Couplers			
1/4"	1/4"	32	PRSGH22
3/8"	1/4"	32	PRSGH23
3/8"	3/8"	64	PRSGH33
1/2"	3/8"	64	PRSGH34
3/8"	1/2"	147	PRSGH43
1/2"	1/2"	147	PRSGH44
5/8"	1/2"	147	PRSGH45
3/4"	1/2"	147	PRSGH46

*At 90 psig inlet and 10 psig pressure drop.

PR SERIES Quick Connect Double-action Composite Safety Couplers

Connector Plugs

- Carbonitride steel with anti-corrosion protection
- Teflon coating on all male threads

Female Thread Connector Plugs



Body Size	NPT	Part Number
Female Thread Connector Plugs		
1/4"	1/4"	PRPF22
1/4"	3/8"	PRPF23
3/8"	1/4"	PRPF32
3/8"	3/8"	PRPF33
1/2"	1/2"	PRPF44

Male Thread Connector Plugs



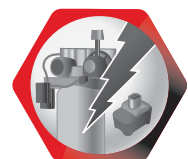
Body Size	NPT	Part Number
Male Thread Connector Plugs		
1/4"	1/4"	PRPM22
1/4"	3/8"	PRPM23
3/8"	1/4"	PRPM32
3/8"	3/8"	PRPM33

Hose Barb Connector Plugs



Body Size	NPT	Average Flow cfm*	Part Number
Hose Barb Connector Plugs			
1/4"	1/4"	32	PRPH22
3/8"	1/4"	32	PRPH23
3/8"	3/8"	64	PRPH33
1/2"	3/8"	64	PRPH34
1/2"	1/2"	147	PRPH44
5/8"	1/2"	147	PRPH45
3/4"	1/2"	147	PRPH46

*At 90 psig inlet and 10 psig pressure drop.



Power Supply

210-310 SERIES

- Automatic, pin-type couplers
- Designed for one-way shutoff operation

Female Couplers



Female NPT



Hose Stem ID

Body Size	NPT Or Hose Stem ID	Average Flow cfm*	Female NPT Part Number	Hose Stem ID Part Number
Female Couplers				
1/4"	1/4"	18	ARCF22	N/A
3/8"	3/8"	60	ARCF33	ARCH33

Female Plugs



Female NPT



Hose Stem ID

Body Size	NPT Or Hose Stem ID	Average Flow cfm*	Female NPT Part Number	Hose Stem ID Part Number
Female Plugs				
1/4"	1/4"	18	ARPF22	ARPH22
1/4"	3/8"	18	N/A	ARPH23
1/4"	5/16"	18	N/A	ARPH25
3/8"	3/8"	60	ARPF33	ARPH33

*At 90 psig inlet and 10 psig pressure drop.

Male Couplers



Male NPT



Hose Stem ID

Body Size	NPT Or Hose Stem ID	Average Flow cfm*	Female NPT Part Number	Hose Stem ID Part Number
Male Couplers				
1/4"	1/4"	18	ARCM22	N/A
1/4"	3/8"	18	ARCM23	ARCH23
3/8"	3/8"	60	ARCM33	ARCH33

Male Plugs



Male NPT



Hose Stem ID

Body Size	NPT Or Hose Stem ID	Average Flow cfm*	Female NPT Part Number	Hose Stem ID Part Number
Male Plugs				
1/4"	1/8"	18	ARPM21	N/A
1/4"	1/4"	18	ARPM22	ARPH22
1/4"	3/8"	18	N/A	ARPH23
1/4"	5/16"	18	N/A	ARPH25
3/8"	1/4"	60	ARPM32	N/A
3/8"	3/8"	60	ARPM33	ARPH33

*At 90 psig inlet and 10 psig pressure drop.

AIR HOSE NIPPLES

Male Pipe Thread



AL-387



R00-146



D01-14



IR6225



A01-46



A03-46

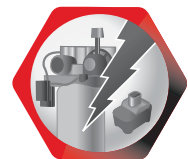
Part Number	Hose Size in (mm)	Pipe Thread
Male Pipe Thread		
IR78217	1/4" (6)	1/4"
IR30127	5/16" (8)	1/4"
AL-387	5/16" (8)	3/8"
R00-146	3/8" (10)	1/8"
D01-14	3/8" (10)	1/4"
IR6225	3/8" (10)	3/8"
A01-46	1/2" (13)	3/8"
D02-455	1/2" (13)	1/2"
A03-46	3/4" (19)	1/2"
J3-581	3/4" (19)	3/4"
P35-46	1" (25)	1"
CN-20-S	2" (51)	2"

Female Pipe Thread



R00-147

Part Number	Hose Size in (mm)	Pipe Thread
Female Pipe Thread		
R1-47	5/16" (8)	3/8"
R00-147	3/8" (10)	3/8"



Power Supply

UNIVERSAL HOSE COUPLERS

- Full-flow, non-shutoff couplers
- Gaskets and clips are included with all universal couplers

(Note: Turn off air supply before disconnecting.)

Universal Hose Ends



Part Number	Hose Size
Universal Hose Ends	
UH-50-M	1/2"
UH-75-M	3/4"
UH-100-M	1"

Universal Male Pipe Threaded Ends



Part Number	Hose Size
Universal Male Pipe Threaded Ends	
UM-37-M	3/8"
UM-50-M	1/2"
UM-75-M	3/4"
UM-100-M	1"

Universal Female Pipe Threaded Ends



Part Number	Hose Size
Universal Female Pipe Threaded Ends	
UF-50-M	1/2"
UF-75-M	3/4"
UF-100-M	1"

Universal 3-Way



Part Number	Hose Size
Universal 3-Way	
UW-300-B	1/4" to 1"

Universal Dead End



Part Number	Hose Size
Universal Dead End	
UD-301-M	1/4" to 1"

Universal Coupler Gasket



Part Number	Specifications
Universal Coupler Gasket	
UG-100	For use in any universal coupler

TYPE "A" HOSE COUPLERS

- Full-flow, non-shutoff couplers
- Designed for heavy-duty services

- Simple, sturdy, and able to withstand hard usage and abuse
- Couplers and plugs are compatible within the same "Body" size

(Note: Turn off air supply before disconnecting.)

Hose Plugs



Part Number	Body Size	Max Flow Opening	"A" End Size
Hose Plugs			
MH-8-1/2	5/8"	3/8"	1/2" Hose
MH-8-3/4	5/8"	5/8"	3/4" Hose
MH-8A-1	5/8"	13/16"	1" Hose

Male NPT Plugs



Part Number	Body Size	Max Flow Opening	"A" End Size
Male NPT Plugs			
M0-8-1/2	5/8"	3/8"	1/2" MNPT
M0-8-3/4	5/8"	5/8"	3/4" MNPT
M0-8A-1	1"	13/16"	1" MNPT

Hose Couplers



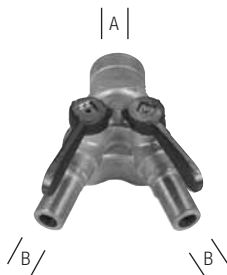
Part Number	Body Size	Max Flow Opening	"A" End Size
Hose Couplers			
FH-8-1/2	5/8"	3/8"	1/2" Hose
FH-8-3/4	5/8"	9/16"	3/4" Hose
FH-8-1	1"	13/16"	1" Hose

Male NPT Couplers



Part Number	Body Size	Max Flow Opening	"A" End Size
Male NPT Couplers			
F0-8-3/8	5/8"	3/8"	3/8" MNPT
F0-8-1/2	5/8"	1/2"	1/2" MNPT
F0-8-3/4	5/8"	5/8"	3/4" MNPT
F0-8-1	1"	15/16"	1" MNPT

Adapter

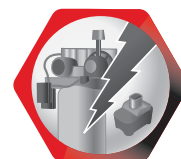


Part Number	Description	Body Size	Max Flow Opening	"A" End Size	"B" End Size
Adapter					
MDY-A8A-3/4	"Y" Shut-off valve	5/8"	1/2"	1/2" Female	1/2" Plug

O-rings for Type "A" Couplers



Part Number	Body Size	Used in Model
O-rings for Type "A" Couplers		
BU-948	5/8"	FH Series, FO Series, & MDY
R4-103	1"	FH Series, FO Series



Power Supply

SAFETY AIR FUSE VALVES

- Valve designed to meet OSHA requirements
- Provides automatic pressure reduction if a hose is cut, ruptures, or accidentally uncouples, thus preventing the hose from whipping
- Constant bleed hole in the valve allows the flow check to automatically open, or reset, after repair to the hose is made
- Brass body and adapter; stainless steel spring; celcon valve
- All parts are corrosion-resistant
- Max temperature: 180° F
- Max allowable working pressure: 250 psig (17 bar)

Safety Air Fuse Valves



170-6

Female / Male NPT	Part Number	Length	Max Diameter in (mm)	Cut-off Flow Rate @ 90 psig
Safety Air Fuse Valves				
3/4	170-6	3"	1-1/4" (31.8)	112 – 128
1	170-8	3-1/8"	1-1/2" (38.1)	220 – 260

Warning: Ingersoll Rand air fuse valves will function only on air lines having capacities equal to or exceeding the air fuse's respective closing capacity. Nominal sizes of air fuses, therefore, must be equal to, or less than, that of their supply lines and must be consistent with the connecting hose. For example, a 1/2" air fuse should be used with a 1/2" hose.

SIMPLAIR PIPING



INGERSOLL RAND SIMPLAIR PIPING

With push-in fittings and lightweight anodized aluminum pipe, a SimplAir system provides ideal connection throughout your entire air distribution system. A SimplAir EL or SL system can be installed quickly and easily, with no need for pipe threading or solvent application. And since they're so easy to disconnect, SimplAir systems are easy to alter or extend. Both lines feature a wide range of connectors to meet any air line configuration need.

TYPES OF SIMPLAIR PIPING



SIMPLAIR EASY LINE (EL)

- Provides an efficient, low-cost method of installing compressed air piping systems
- Provides more efficient delivery of good-quality air, with higher flow rates and minimized pressure loss
- Available in 5/8" (15 mm), 1" (22 mm), and 1-1/4" (28 mm) sizes

SIMPLAIR SPEED LINE (SL)

- Features a unique, round extruded, aluminum tubing anodized to prevent corrosion
- Offers impressive flexibility and reduces the number of fittings needed for installation
- Provides higher flow rates and reduced pressure losses common to conventional fitting methods
- Available in three sizes: 1/2" (14 mm), 1" (22 mm), and 1-1/4" (28 mm)

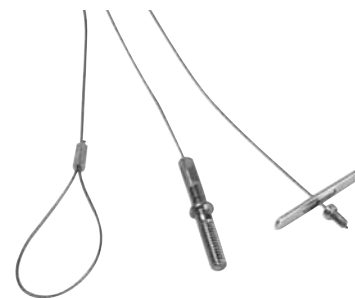
GRIPPLE HANG-FAST SYSTEMS

- The fastest installed and most adaptable mechanical and engineering hanging systems in the world
- Systems come in five load-rated sizes, providing a minimum 5:1 safety factor regardless of length
- Three types of integral standard end fixings:

Loop-fast – loop anchor secures to an existing structure (e.g., truss)

Stud-fast – stud anchor secures to concrete structure

Toggle-fast – toggle anchor secures into pre-drilled or punched hole

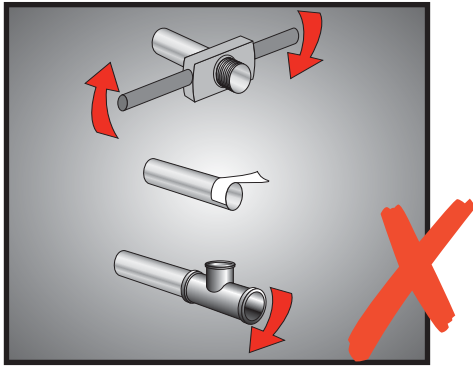


Gripple Hang-fast

SIMPLAIR EL

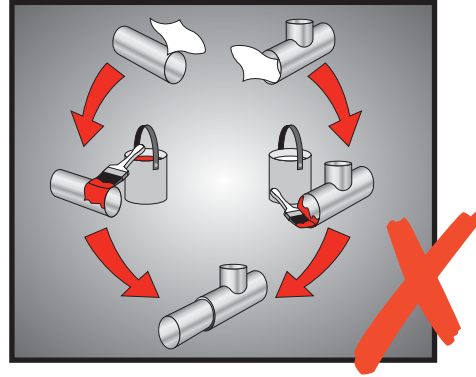
Threaded Steel Tube

A time-consuming and difficult process.



Solvent Weld

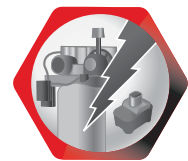
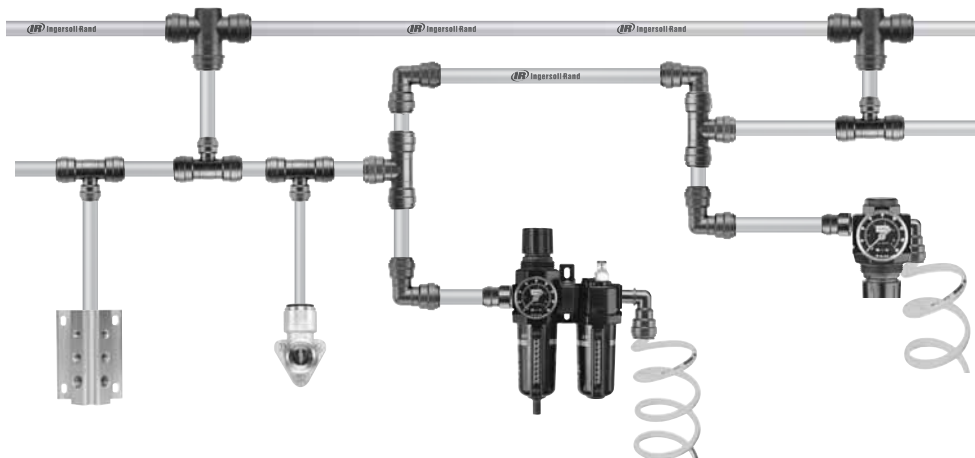
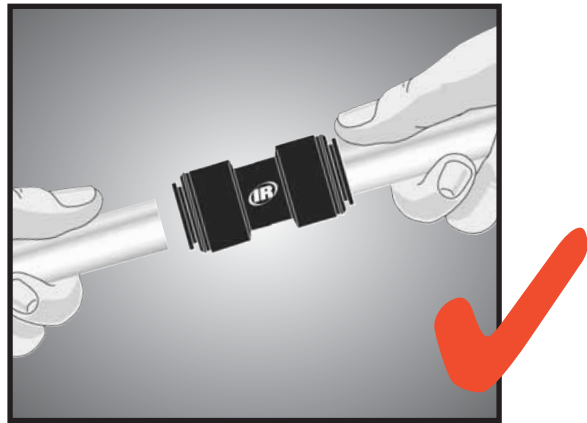
Long installation time; system needs to be shut down for drying.



The SimplAir EL Way

One simple movement provides a secure connection and the system is immediately ready for use.

- Designed for piping system applications
- Safe, secure, and leakproof
- Easy to install
- Easy to disconnect and reconfigure
- Many millions of fittings in use
- Working pressures 0 – 10 bar
- Tested to ANSI B31.1



Power Supply

SIMPLAIR EL Installation

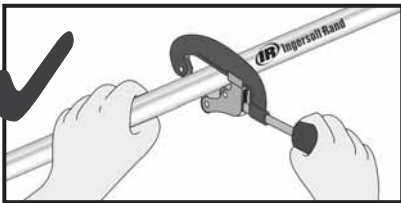
EASY INSTALLATION

- To make a connection, simply push the tube in by hand
- The unique, patented SimplAir EL collet locking system holds the tube firmly in place without deforming it or restricting flow

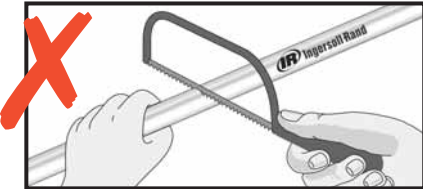
Pipe Cutting

- Cut the pipe cleanly to ensure it is free of score marks
- For SimplAir EL aluminum pipe we recommend a SimplAir EL pipe cutter
- Do not use a hacksaw
- To avoid damage to the O-ring, make sure burrs and sharp edges are removed

Use A SimPlair EL Pipe Cutter



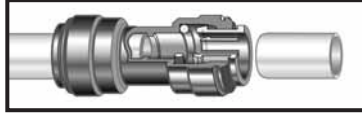
Do Not Use a Hacksaw



5/8" (15 MM) AND 1" (22 MM) FITTINGS

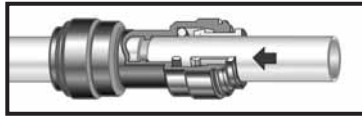
Making a Connection

1. Fittings and pipe should be clean and undamaged before use.



2. With the fitting clean and undamaged, and the pipe cut squarely as described on this page, you are now ready to make the connection.

Push Up to Pipe Stop



3. Push the pipe into the fitting to the pipe stop. The collet (gripper) has stainless steel teeth that will hold the pipe firmly in position while the O-ring provides a permanent leakproof seal.

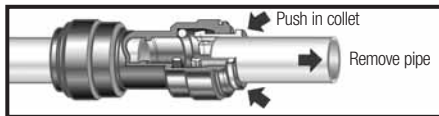
Pull to Check if Secure



4. Pull on the pipe to check that it is secure. It is critical to test the system prior to leaving the site or before use.

Disconnecting

1. Ensure the system is depressurized.



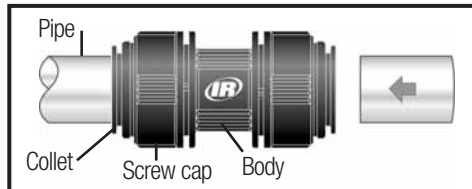
2. Push the collet in and remove the pipe.
3. Push in collet squarely against the face of the fitting.
4. With the collet held in this position, the pipe can be removed, and the fitting can be reused.

SIMPLAIR EL Installation

1-1/4" (28 MM) FITTINGS

- These fittings have collets with stainless steel teeth and O-rings to provide unique grip-and-seal connections
- They can also be removed and used again without replacing parts

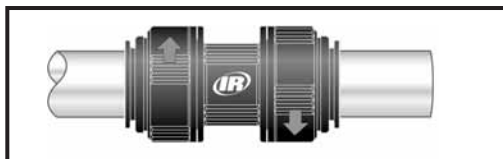
Making a Connection



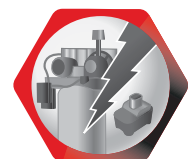
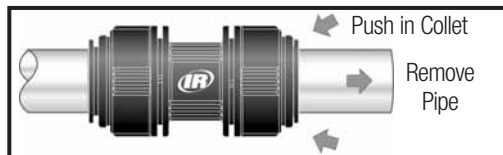
1. The pipe should be properly prepared and fully inserted into the fitting.
2. Turn the screw cap approximately 1/4 turn (two clicks can be heard) and the collet will lock in place, further compressing the O-ring onto the pipe.
3. Notice that by locking the collet in place, lateral and sideways movement of the pipe is reduced.



Disconnecting



1. To release the pipe from the locked position, turn the screw cap counterclockwise approximately 1/4 turn.
2. The pipe can be released by pushing the collet in and pulling the pipe out.

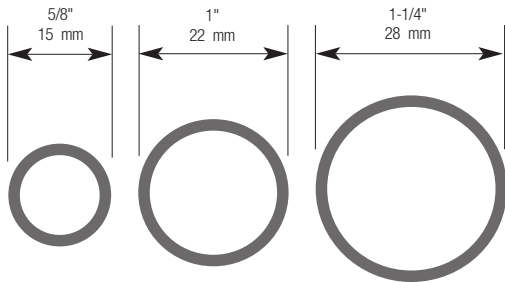


Power Supply

SIMPLAIR EL Aluminum Piping and Tubing

Part Number	Tube OD in (mm)	Tube Length ft (m)	Package Quantity	cfm @ 103 psig	cfm @ 118 psig	cfm @ 147 psig
Aluminum Piping						
22285282	5/8" (15)	10' (3 m)	10	36	38	42
38332540	1" (22)	10' (3 m)	10	75	86	111
38332656	1-1/4" (28)	10' (3 m)	10	126	148	175

Aluminum Piping



SimplAir EL

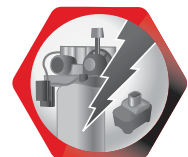
SimplAir EL is designed to provide an efficient, low-cost method of installing compressed air piping systems. SimplAir EL is a unique, round aluminum extrusion, manufactured in line with SimplAir's advanced piping concept.

Benefits

- Good-quality air
- More efficient air delivery
- Reduced pressure loss
- Higher flow rates
- Easy and fast installation



Pipe Bender Kit



Power Supply

SIMPLAIR EL

Easy-to-use Push-in System for Piping Systems

- Provides ideal connection from the compressed air receiver throughout the entire distribution system, right to the point-of use
- A compressed air piping system can be installed quickly and easily, considerably reducing production downtime
- No need to prepare threaded pipe or apply solvent – all the connections can be made with a simple push-in action
- Complex systems can be assembled much more rapidly than with traditional methods
- Since they also are easy to disconnect, systems can be altered or extended with little effort

SimplAir EL
 Adaptability Standard SimplAir EL products can be coupled together to form integral new fittings.

Equal Elbow



Part Number	Tube OD in (mm)	Branch Line in (mm)	Stem OD in (mm)
Equal Elbow			
38039756	5/8" (15)	N/A	N/A
38332565	1" (22)	N/A	N/A
38332672	1-1/4" (28)	N/A	N/A

Straight Connector



Part Number	Tube OD in (mm)	Branch Line in (mm)	Stem OD in (mm)
Straight Connector			
38039772	5/8" (15)	N/A	N/A
38332557	1" (22)	N/A	N/A
38332664	1-1/4" (28)	N/A	N/A

Equal Tee



Part Number	Tube OD in (mm)	Branch Line in (mm)	Stem OD in (mm)
Equal Tee			
38039764	5/8" (15)	N/A	N/A
38332573	1" (22)	N/A	N/A
38332680	1-1/4" (28)	N/A	N/A

Reducing Tee



Part Number	Tube OD in (mm)	Branch Line in (mm)	Stem OD in (mm)
Reducing Tee			
38039814	1" (22)	5/8" (15)	-

Stem Elbow



Part Number	Tube OD in (mm)	Branch Line in (mm)	Stem OD in (mm)
Stem Elbow			
38039780	5/8" (15)	N/A	N/A
38332623	1" (22)	N/A	N/A

Reducer



Part Number	Tube OD in (mm)	Branch Line in (mm)	Stem OD in (mm)
Reducer			
38039798	5/8" (15)	N/A	1" (22)
38039806	5/8" (15)	N/A	1-1/4" (28)
38332581	1" (22)	N/A	1-1/4" (28)

SIMPLAIR EL Brass Fittings

Brass Wing Back



Part Number	Pipe OD in (mm)	Thread BSP	Thread NPT
Brass Wing Back			
38039855	5/8" (15)	1/2"	1/2"

Female Threaded Manifold



Part Number	Thread BSP	Thread NPT
Female Threaded Manifold		
54742721	1"	N/A
38004339	N/A	1"

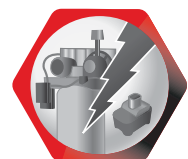
Manifolds are supplied with the following plugged outlets:

- 2" x 1/4"
- 2" x 3/8"
- 2" x 1/2"
- 1" x 1"

Male Brass Stem Adapter



Part Number	Stem OD in (mm)	Thread BSP	Thread NPT
Male Brass Stem Adapter			
38039822	5/8" (15)	1/2"	1/2"
38332599	1" (22)	3/4"	N/A
38332607	1" (22)	1"	N/A
38332698	1-1/4" (28)	1"	N/A
38332961	1" (22)	N/A	3/4"
38332615	1" (22)	N/A	1"
38332706	1-1/4" (28)	N/A	1"



Power Supply

SIMPLAIR EL Accessories

Plugs



Part Number	Tube OD in (mm)	Color
Plugs		
38039830	5/8" (15)	Black
38332649	1" (22)	Black
38332722	1-1/4" (28)	Black

Pipe Cutter



Part Number	Tube Sizes in (mm)
Pipe Cutter	
88162466	1" – 1-1/4" (22 – 28)

Pipe Clips and Spacers



Part Number	Tube OD in (mm)	Color
Pipe Clips		
38039848	5/8" (15)	Black
38332730	1" (22)	Black
38332755	1-1/4" (28)	Black
Pipe Spacer		
38332748	1" – 1-1/4" (22 – 28)	Black

Ball Valves with Compressor Ends



Part Number	Tube Size in (mm)
Ball Valves with Compressor Ends	
88315635	5/8" (15)
88306139	1" (22)
88306402	1-1/4" (28)

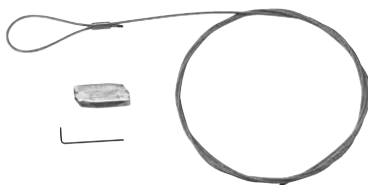
Part Number	Tube Size in (mm)
Spare Nuts for Ball Valves	
88315650	5/8" (15)
88306410	1" (22)
88306436	1-1/4" (28)
Spare Ferrules for Ball Valves	
88315643	5/8" (15)
88306428	1" (22)
88306444	1-1/4" (28)

Hose Reel



Part Number	Max Working Length
Hose Reel for 3/8" Hose	
38035424	25'

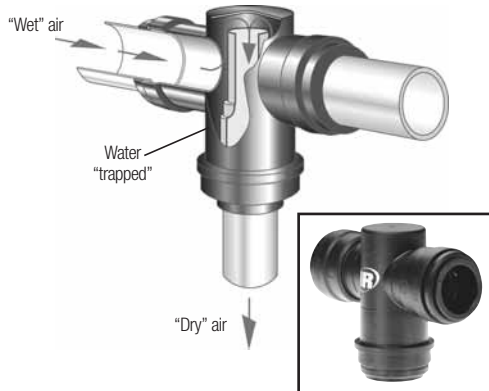
Loop-fast Hanging Systems



Part Number	Package Quantity	Length of Wire
Loop-fast Hanging Systems		
38330643	10	5'
38330650	10	10'
38330668	10	15'
38330676	10	30'

SIMPLAIR EL Water Trap Tee

Water Trap Tee



Part Number	Tube OD in (mm)
Water Trap Tee	
38332631	1" (22)

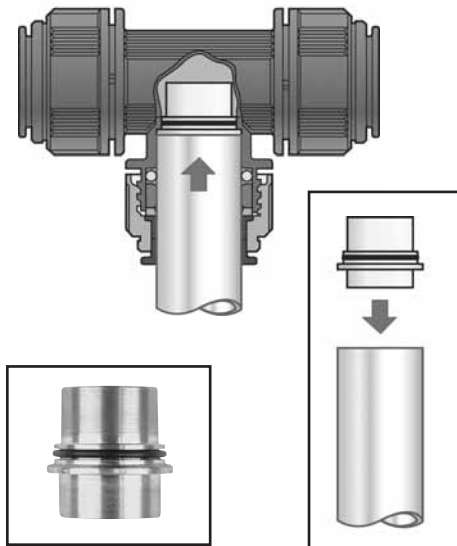
The unique water trap tee helps reduce continual moisture in a piping system and is an easy alternative to installing "swan and goose necks."

The innovative inside arrangement of the fitting allows air to flow with minimum head loss from the distribution system to take-off points without allowing water to follow. The moisture is retained in the line to be drawn off at a suitable location.

Installation

1. The piping system within which the tee is installed should be nearly horizontal.
2. The outlet port face should point vertically downward.
3. Markings indicating the correct orientation have been molded onto the body to assist installation.

Water Trap Tee Converter



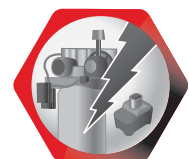
Part Number	Size in (mm)
Water Trap Tee Converter	
38332714	1-1/4" (28)

The water trap tee convertor is a simple and convenient way to convert a standard 1-1/4" (28 mm) tee into a water trap tee. When fitted, it will stop condensed water within the piping system from entering the vertical take-off spurs.

It is important that the piping system be installed with the correct gradient, and that water drain points are properly vented.

To Assemble

1. Press the shorter spigot into the pipe.
2. Firmly insert the pipe and converter into the center port of the tee.
Full insertion is required to correctly locate the converter and provide a watertight seal.
3. Turn the screw cap approximately 1/4 turn (2 clicks) to lock the collet in place and compress the O-ring onto the pipe.



Power Supply

SIMPLAIR EL Details

Working Temperature Range

- Minimum working temperature - 4° F (-20° C)
- Maximum working temperature +140° F (+60° C)

The above working temperatures apply to compressed air applications only.

Working Pressure

- Maximum working pressure 150 psi (10 bar)

Material Specification

The fittings are made up of three components:

- **Bodies** are produced in strong engineered plastic or in brass
- **O-rings** are made of nitrile rubber
- **Collets** are made of in acetal copolymer with stainless steel teeth

Standards

- Tested to ANSI B31.1

Applications

These products are designed for use with compressed air. For other applications, please refer to our customer services department.

Installation Guide — Code of Practice

When installing a compressed air piping system, please refer to local “Approved Code of Practice — Safety of Pressure Systems.”

Installations — Our Recommendations

- The pressure rating and installation guidelines of the tubing employed must also be considered during the design of any piping system
- Pipe should be supported at minimum 59" (1.5 m) to prevent excessive load being applied to the fitting
- Supports should be installed close to the fittings, but no more than 2" (50 mm) from the end of the fitting
- SimplAir EL and pipe should only be connected after the air receiver and not directly to a compressor
- It is required that all pipe and fitting installations are pressure-tested after installation

INSTALLATION TEST PROCEDURE



WARNING: BEFORE PRESSURIZING THE SYSTEM, THE FOLLOWING INSTRUCTIONS MUST BE FOLLOWED.

1. Check that all compression and push-in connections have been properly completed and are fully engaged.
2. Ensure that all wall mounting and hanging brackets are fixed securely.
3. Ensure that an isolation valve is installed and closed between the compressed air supply and the pipework.
4. Ensure that a safety relief valve is properly installed and is fully functional. If a safety valve is not installed on the air receiver, one should be fitted within the piping system.
5. Close all outlet points in the system.

Pressurizing the system

It is best to evacuate the entire work area before pressurizing a system.

6. Slowly open the main isolation valve while viewing the main pressure gauge in the pipework.
7. Allow the pressure in the system to increase to 14.5 psig (1 bar). **CLOSE THE VALVE** and hold for 15 minutes.
8. Visually inspect the system for integrity, loose or slipping joints, and leakage. If any faults are observed, depressurize the system completely and correct the problem. Repeat steps 6 through 8.
9. If the system is secure, repeat steps 6 through 8 in 14.5 psig (1 bar) increments until the maximum required working pressure is achieved.

NOTE: Maximum allowable working pressure for Simplair EL is 150 psig (10 bar). When using SimplAir EL with other SimplAir piping systems, do not exceed the maximum working pressure of the EL system, 150 psig (10 bar).

10. When full working pressure is achieved, hold the system pressure for one hour.
11. Re-examine the system for integrity, loose or slipping joints, and leakage.
12. If any faults are observed, depressurize the system completely and correct the problem. Repeat the process, beginning at step 6.

NOTICE – INSURANCE REQUIREMENTS

Insurance companies may require a test of the system to 1.5 times the required working pressure. If necessary, carry out the test procedure to the inspection requirement.

SIMPLAIR SL

SIMPLAIR — SPEED LINE

SimplAir – Speed Line (SL) provides an efficient, low-cost method of installing compressed air systems.



SimplAir SL is a unique, round aluminum extrusion, anodized to prevent corrosion and manufactured in line with SimplAir's advanced piping concept.

SimplAir SL offers flexible tubing, reducing the number of fittings needed for installation. This gives you the ability to use large sweeping bends to eliminate high-pressure losses experienced when using conventional fitting methods.

SPEED LINE TECHNICAL SPECIFICATIONS*

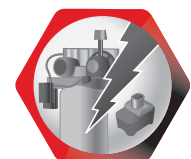
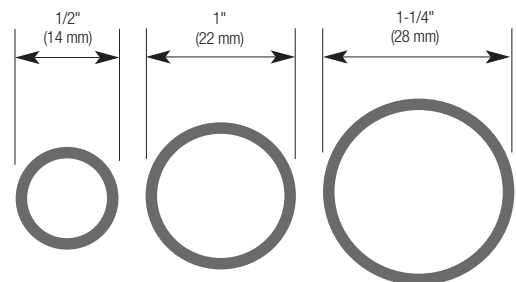
Part Number	Pipe Diameter in (mm)	Standard Pipe Length	Weight lb-ft (kg/m)	Max Working Pressure psig (bar)	Max Temp	Min Temp
92455377	1/2" (14)	16' – 6" (5 m – 15 cm)	0.10 (0.160)	250 (17)	266° F (130° C)	-122° F (-30° C)
54521059	1" (22)	16' – 6" (5 m – 15 cm)	0.17 (0.260)	250 (17)	266° F (130° C)	-122° F (-30° C)
54539127	1-1/4" (28)	16' – 6" (5 m – 15 cm)	0.22 (0.309)	250 (17)	266° F (130° C)	-122° F (-30° C)

*For mechanical and physical properties, please refer to manufacturer's installation manual.

AIRFLOW RATES THROUGH TUBING*

Working Pressure psig (bar)	1/2" (14 mm) Pipe cfm (m³/min)	1" (22 mm) Pipe cfm (m³/min)	1-1/4" (28 mm) Pipe cfm (m³/min)
100 (7)	36 (1.02)	70 (1.99)	126 (3.58)
125 (8.5)	42 (1.19)	85 (2.24)	148 (4.21)
150 (10)	47 (1.33)	101 (2.87)	175 (4.98)
203 (14)	62 (1.75)	133 (3.78)	231 (6.57)
250 (17)	69 (1.96)	162 (4.61)	281 (8.00)

*Airflows are based on a 1 psig pressure drop per 30 ft (10 m).



Power Supply

SIMPLAIR SL

Union



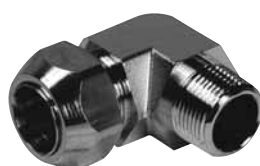
Thread Size	1/2" (14 mm) Part Number	1" (22 mm) Part Number	1-1/4" (28 mm) Part Number
Union			
N/A	54563861	54589171	54589189

Elbow, 90° Union



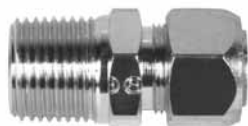
Thread Size	1/2" (14 mm) Part Number	1" (22 mm) Part Number	1-1/4" (28 mm) Part Number
Elbow, 90° Union			
N/A	54563952	54589270	54589288

Elbow, 90° Male Street



Thread Size	1/2" (14 mm) Part Number	1" (22 mm) Part Number	1-1/4" (28 mm) Part Number
Elbow, 90° Male Street			
1/2" NPT	54563911	N/A	N/A
1/2" BSP	54563937	N/A	N/A
3/4" NPT	N/A	38004057	N/A
3/4" BSP	N/A	38004065	N/A
1" NPT	N/A	54589239	N/A
1" BSP	N/A	54589247	N/A
1-1/4" NPT	N/A	N/A	54589254
1-1/4" BSP	N/A	N/A	54589262

Stud, Male Straight



Thread Size	1/2" (14 mm) Part Number	1" (22 mm) Part Number	1-1/4" (28 mm) Part Number
Stud, Male Straight			
1/2" NPT	54563895	N/A	N/A
1/2" BSP	54563903	N/A	N/A
3/4" NPT	N/A	38004073	N/A
3/4" BSP	N/A	38004081	N/A
1" NPT	N/A	54589197	54615828
1" BSP	N/A	54589247	36004107
1-1/4" NPT	N/A	N/A	54589213
1-1/4" BSP	N/A	N/A	54589221

SIMPLAIR SL

Tee Union



Thread Size	1/2" (14 mm) Part Number	1" (22 mm) Part Number	1-1/4" (28 mm) Part Number
Tee Union			
N/A	54563960	54589296	54589304

End Cap

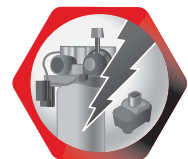


Thread Size	1/2" (14 mm) Part Number	1" (22 mm) Part Number	1-1/4" (28 mm) Part Number
End Cap			
N/A	54600721	54599592	54599618

Female Stem Adapter



Thread Size	1/2" (14 mm) Part Number	1" (22 mm) Part Number	1-1/4" (28 mm) Part Number
Female Stem Adapters			
1/4" NPT x 14 mm	38004123	N/A	N/A
1/4" BSP x 14 mm	38004123	N/A	N/A
3/8" NPT x 14 mm	38004131	N/A	N/A
3/8" BSP x 14 mm	38004149	N/A	N/A
1/4" NPT x 22 mm	N/A	38004156	N/A
1/4" BSP x 22 mm	N/A	38004164	N/A
3/8" NPT x 22 mm	N/A	38004172	N/A
3/8" BSP x 22 mm	N/A	38004180	N/A
1/2" NPT x 22 mm	N/A	38004198	N/A
1/2" BSP x 22 mm	N/A	38004206	N/A
1/4" NPT x 28 mm	N/A	N/A	38004214
1/4" BSP x 28mm	N/A	N/A	38004222
3/8" NPT x 28mm	N/A	N/A	38004230
3/8" BSP x 28 mm	N/A	N/A	38004248
1/2" NPT x 28 mm	N/A	N/A	38004255
1/2" BSP x 28 mm	N/A	N/A	38004263



Power Supply

SIMPLAIR SL

1" x 6" Way Outlet Manifolds



Thread Size	Part Number	Note
1" x 6" Way Outlet Manifolds		
1/4", 3/8", 1/2" NPT outlets	38004339	All 6 ports are supplied plugged – remove plug to use
1/4", 3/8", 1/2" NBSP outlets	38004347	All 6 ports are supplied plugged – remove plug to use

Replacement Ferrules



Thread Size	1/2" (14 mm) Part Number	1" (22 mm) Part Number	1-1/4" (28 mm) Part Number
Replacement Ferrules			
N/A	38004297	N/A	N/A
N/A	N/A	38004313	N/A
N/A	N/A	N/A	38004321

Hanging / Mounting Brackets



Thread Size	1/2" (14 mm) Part Number	1" (22 mm) Part Number	1-1/4" (28 mm) Part Number
Hanging / Mounting Bracket			
3/8" (10 m)	54593652	54593660	54593678

Wall Mounting Back Plate



Thread Size	1/2" (14 mm) Part Number	1" (22 mm) Part Number	1-1/4" (28 mm) Part Number
Wall Mounting Back Plates			
3/8" (10 m)	54593645	54593645	54593645

Former



Thread Size	1/2" (14 mm) Part Number	1" (22 mm) Part Number	1-1/4" (28 mm) Part Number
Former			
N/A	N/A*	54599527	54599543

*NOTE: 1/2" (14 mm) tubing can be bent with a 1" (22 mm) former and guide.

SIMPLAIR SL

Guide



Thread Size	1/2" (14 mm) Part Number	1" (22 mm) Part Number	1-1/4" (28 mm) Part Number
Guide			
N/A	N/A*	54599535	54599550

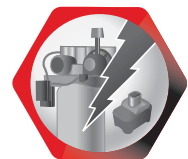
*NOTE: 1/2" (14 mm) tubing can be bent with a 1" (22 mm) former and guide.

Pipe Bender Kit



Description
Pipe Bender Kit*
54599568

*Pipe bender kit complete with both 1" (22 mm) formers and guides.



Power Supply

GRIPPLE HANG-FAST SYSTEM

- The fastest and most adaptable mechanical and engineering hanging system in the world.
- A quick and safe replacement for threaded rod or chain due to its fast installation, ease of use, versatility, lightweight performance, and aesthetic appearance.
- Come in five load-rated sizes that are value-engineered to provide the most cost-effective solutions for hanging M & E services.
- Each size accommodates a specific range designated with a safe working load, which is common to the “loop,” “stud,” and “toggle” end fixing ranges.
- The safe working load gives a minimum 5:1 safety factor in a vertical plane and is maintained regardless of length chosen for any designated model.
- Contains a length of steel wire rope, with a choice of three integral standard end fixings, a gripple for height adjustment, and a setting key to unlock the gripple if required.

LOOP-FAST

- The “loop” anchor fixing secures the Gripple Hang-fast System to an existing structure.
- This method simply requires the loop end to be wrapped around the support (purlin or truss), then the tail end is fed through the loop and pulled tight.

Loop-fast



Type	Size* lb	Length	Package Quantity	Part Number
Loop-fast				
1	22	5'	10	38330528
		10'	10	38330536
		15'	10	38330544
		30'	10	38330551
2	100	5'	10	38330643
		10'	10	38330650
		15'	10	38330668
3	200	30'	10	38330676
		5'	10	38330742
		10'	10	38330759
		15'	10	38330767
4	495	30'	5	38330775
		5'	10	38330866
		10'	5	38330874
		15'	5	38330882
5	715	30'	5	38330890
		5'	2	38330908
		10'	1	38330916
		15'	1	38330924
		30'	1	38330932

**Safe working load.*

GRIPPLE HANG-FAST SYSTEM

STUD-FAST

- The “stud” anchor fixing secures the Gripple Hang-fast System into a concrete structure.
- This method simply requires the “stud” end to be screwed directly into a drop-in anchor, which is supplied with the kit.

Stud-fast



Type	Size* lb	Length	Package Quantity	Part Number
Stud-fast				
1	22	5'	10	38330569
		10'	10	38330577
		15'	10	38330585
		30'	10	38330593
2	100	5'	10	38330684
		10'	10	38330692
		15'	10	38330700
		30'	10	38330718
3	200	5'	10	38330783
		10'	10	38330791
		15'	10	38330809
		30'	5	38330817

*Safe working load.

TOGGLE-FAST

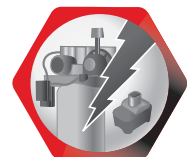
- The “toggle” anchor fixing, which uses a restraining plate and end stop, secures the Gripple Hang-fast System into a pre-drilled or punched hole.
- This method is ideal for attachment into metal sheeting and pressed metal fabrications with a cavity on the restraining side.

Toggle-fast



Type	Size* lb	Length	Package Quantity	Part Number
Toggle-Fast				
1	22	5'	10	38330601
		10'	10	38330619
		15'	10	38330627
		30'	10	38330635
2	100	5'	10	22128508
		10'	10	22128516
		15'	10	38330726
		30'	10	38330734
3	200	5'	10	38330825
		10'	10	38330833
		15'	10	38330841
		30'	5	38330858

*Safe working load.



Power Supply

FITTINGS AND HOSES



INGERSOLL RAND FITTINGS AND HOSES

The Ingersoll Rand line of ruggedly convenient hose reels and recoil hoses are pressure-rated for optimized pneumatic performance, even in the toughest shop environments and applications. Connecting them to your pneumatic system is quick and reliable thanks to our complete line of swivels and hose accessories.

SWIVELS

Swivel-It Swivels



ASC-1/4

Part Number	Thread Size	Airflow cfm	Description
Swivel-It Swivels			
ASA-1/4	1/4"	0 – 25	Adjustable Swivel-It
ASC-1/4	1/4"	0 – 33	Non-marring composite Swivel-It
AS-3/8	3/8"	0 – 45	Standard Swivel-It
AS-1/2	1/2"	0 – 65	Standard Swivel-It

Swivels and Adapters



636077



636075



635108



676

Part Number	Size NPT	Description
Swivels and Adapters		
636077	1/8" (M) x 1/8" (F)	Z swivel
636086-B	1/4" (M) x 1/4" (F)	Z swivel
636087-B	1/4" (M) x 1/4" (F) w/ filter element	Z swivel
635106	1/2" (F) x 3/8" (M)	Z swivel
636075	1/8" (M) x 1/8" (F)	Straight swivel
636085	3/8" (M) x 3/8" (F)	Straight swivel
635117	1/2" (M) x 1/2" (F)	Straight swivel
635108	3/4" (M) x 3/4" (F)	Straight swivel
635107	3/8" (M) x 1/2" (F)	Straight swivel
3249	1/8" (F) x 1/8" (F)	Female adapter
676	1/8" (M) x 1/8" (M)	Male adapter

Swivel Inlets



Part Number	Description
Swivel Inlets	
HH1-A165	3/8" NPT x 1/2" hose barb (general-duty)
HH1-SW7/8	7/8" – 24" x 1/2" hose barb (general-duty)
HH1-VSW1/2	1/2" NPT x 1/2" hose barb (heavy-duty)
HH1-VSW7/8	7/8" – 24" x 1/2" hose barb (heavy-duty)

Inlet Bushings with Screens



H-382

Part Number	Description
Inlet Bushings with Screens	
R0B1J61-565	1/4" male pipe to 1/4" female pipe
H-382	3/8" male pipe to 1/4" female pipe

HOSE WHIPS (250 psig max working pressure)

Consists of length of hose assembled with male hose nipple in one end and female hose nipple in the other end.

Hose Whips



R00H-130

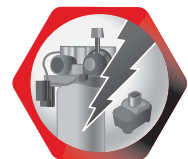
Part Number	Hose Inside Diameter	Hose (national pipe thread) Length	Male End	Female End
Hose Whips				
R00H-130	1/4"	8'	1/8"	1/4"
R0-130	5/16"	8'	1/4"	3/8"
R1A-130	3/8"	8'	1/4"	3/8"
510-130	3/8"	8'	3/8"	3/8"

Assembled Construction Tool Hoses



Part Number	Hose Inside Diameter	Length	Description
Assembled Construction Tool Hoses*			
22040687	1/2"	8'	Double-banded universal to 3/8" NPT straight male
22041453	1/2"	8'	Double-banded universal to 1/2" NPT straight male
22041461	1/2"	8'	Double-banded universal to 1/2" NPT swivel inlet
22041479	1/2"	8'	Double-banded universal to 7/8" – 24" NPT swivel inlet
22040679	3/4"	50'	Yellow with double banded universals on both ends. 300 psi max pressure rating

*Hose whips with swivels use heavy-duty swivels.



Power Supply

NYLON RECOIL HOSES

- Permanently coiled hoses automatically return to their original position, keeping them off the floor and out of your way as you work
- Made from abrasive-resistant and memory-resilient Nylon II
- For use with air, gases, water, and liquids compatible with Nylon II
- Certified to a maximum pressure of 200 psi
- Fittings and hose ends are protected by spring guards
- Available with diameters of 1/4", 3/8", 1/2", and 1-1/2"
- Available in bulk lengths of 12', 25', 50', and 100'

Swivel Both Ends



Part Number	Hose Inside Diameter	Hose Length		Compact Size	Compact Outside Coil Diameter	Male NPT Fitting
		Max	Working Length			
Swivel Both Ends						
N14-12B	1/4"	12'	10'	6"	3-1/2"	1/4"
N14-25B	1/4"	25'	22'	10-1/2"	3-1/2"	1/4"
N14-50B	1/4"	50'	45'	21"	3-1/2"	1/4"
N38-124B	3/8"	12'	10'	5"	5-5/8"	1/4"
N38-254B	3/8"	25'	21'	10-1/4"	5-5/8"	1/4"
N38-504B	3/8"	50'	44'	21"	5-5/8"	1/4"
N38-12B	3/8"	12'	10'	5"	5-5/8"	3/8"
N38-25B	3/8"	25'	21'	10-1/4"	5-5/8"	3/8"
N38-50B	3/8"	50'	44'	21"	5-5/8"	3/8"
N12-12B	1/2"	12'	9'	5"	9"	1/2"
N12-25B	1/2"	25'	18'	9"	9"	1/2"
N12-50B	1/2"	50'	41'	18"	9"	1/2"
N34-12B	3/4"	12'	10'	4-1/2"	12-1/2"	3/4"
N34-25B	3/4"	25'	17'	9"	12-1/2"	3/4"
N34-50B	3/4"	50'	35'	16"	12-1/2"	3/4"

Swivel One End



Part Number	Hose Inside Diameter	Hose Length		Compact Size	Compact Outside Coil Diameter	Male NPT Fitting
		Max	Working Length			
Swivel One End						
N14-12A	1/4"	12'	10'	6"	3-1/2"	1/4"
N14-25A	1/4"	25'	22'	10-1/2"	3-1/2"	1/4"
N14-50A	1/4"	50'	45'	21"	3-1/2"	1/4"
N38-12A	3/8"	12'	10'	5"	5-5/8"	3/8"
N38-25A	3/8"	25'	21'	10-1/4"	5-5/8"	3/8"
N38-50A	3/8"	50'	44'	21"	5-5/8"	3/8"
N12-12A	1/2"	12'	9'	5"	9"	1/2"
N12-25A	1/2"	25'	18'	9"	9"	1/2"
N12-50A	1/2"	50'	41'	18"	9"	1/2"

NYLON RECOIL HOSES

Rigid Couplings Both Ends



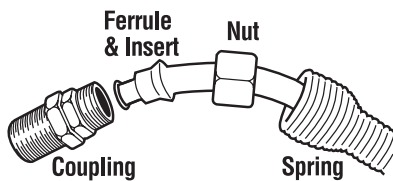
Part Number	Hose Inside Diameter	Hose Length		Compact Size	Compact Outside Coil Diameter	Male NPT Fitting
		Max	Working Length			
Rigid Couplings Both Ends						
N14-12	1/4"	12'	10'	6"	3-1/2"	1/4"
N14-25	1/4"	25'	22'	10-1/2"	3-1/2"	1/4"
N14-50	1/4"	50'	45'	21"	3-1/2"	1/4"
N38-12	3/8"	12'	10'	5"	5-5/8"	3/8"
N38-25	3/8"	25'	21'	10-1/4"	5-5/8"	3/8"
N38-50	3/8"	50'	44'	21"	5-5/8"	3/8"
N12-12	1/2"	12'	9'	5"	9"	1/2"
N12-25	1/2"	25'	18'	9"	9"	1/2"
N12-50	1/2"	50'	41'	18"	9"	1/2"

Bulk Hoses



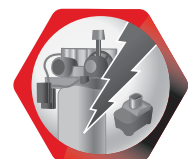
Part Number	Hose Inside Diameter	Hose Length		Compact Size	Compact Outside Coil Diameter	Male NPT Fitting
		Max	Working Length			
Bulk Hoses						
N14-100	1/4"	100'	90'	45"	3-1/2"	N/A
N38-100	3/8"	100'	85'	38"	5-5/8"	N/A
N12-100	1/2"	100'	75'	35"	9"	N/A
N34-100	3/4"	100'	70'	29"	12-1/2"	N/A

Fittings for Nylon Recoil Hoses



Hose Inside Diameter	Male NPT Fitting	Fittings Part Number*		For Use w/ Bulk Hose
		Rigid Fitting	Swivel Fitting	
Fittings for Nylon Recoil Hoses*				
1/4"	1/4"	RK090	RK092	N14-100
3/8"	1/4"	N/A	RK114	N38-100
3/8"	3/8"	RK110	RK112	N38-100
1/2"	1/2"	RK118	RK119	N12-100
3/4"	3/4"	N/A	CSM-1212	N34-100

*Order two fittings per hose.



Power Supply

COIL HOSES

Coil Hoses



628004-12

Part Number	Thread Size Male NPT	Hose ID	Hose OD	Hose Length ft (mm)	Working Length ft (mm)	Outside Coil Diameter	Inside Diameter	Retracted Length ft (mm)
Coil Hoses*								
628004-12	1/4"	1/4"	5/16"	12 (3.7)	11 (3.3)	3"	2-1/2"	6 (152)
628004-25	1/4"	1/4"	5/16"	25 (7.6)	23.5 (7.2)	3"	2-1/2"	12 (305)
628004-50	1/4"	1/4"	5/16"	50 (15.2)	47 (14.3)	3"	2-1/2"	23 (584)
628020-12	3/8"	3/8"	15/32"	12 (3.7)	10 (3.0)	5-1/2"	4-1/2"	5 (127)
628020-25	3/8"	3/8"	15/32"	25 (7.6)	22 (6.7)	5-1/2"	4-1/2"	10 (254)
628020-50	3/8"	3/8"	15/32"	50 (15.2)	44 (13.4)	5-1/2"	4-1/2"	20 (508)
628023-12	1/2"	1/2"	5/8"	12 (3.7)	8.5 (2.6)	8"	6-1/2"	5 (127)
628023-25	1/2"	1/2"	5/8"	25 (7.6)	19 (5.8)	8"	6-1/2"	9 (229)
628023-50	1/2"	1/2"	5/8"	50 (15.2)	38 (11.6)	8"	6-1/2"	18 (457)

*Assemblies include swivel fittings at both ends.

FEATURES

1/4", 3/8", and 1/2" ID

- Self-retracting for easy storage in minimum space to reduce clutter
- Minimizes safety hazards from tripping or tangling
- A low-cost alternative to bulky, expensive hose reels
- Resistant to most chemicals, gasoline, oil, and grease
- Lightweight and highly flexible with 360° swivel fittings to reduce user strain and fatigue
- Abrasion and corrosion resistant
- Ideal for use with portable air tools, spray guns, moving air cylinders, and hoists
- Retractability is easily restored by reversing hose through its axis

PERFORMANCE SPECIFICATIONS

Max Operating Pressure	180 psi (12.4 bar)
Operating Temp Range	-20° – 170° F (-29° – 77° C)
Hose Material	Nylon II

Swivel Fitting Kits



Part Number	Hose ID	Thread Size Male NPT
Swivel Fitting Kits		
22800	1/4"	1/4"
22801	3/8"	3/8"

NOTE: Order one kit for each hose end.

P-SERIES POLYURETHANE COILED HOSES

Polyurethane Coil Hoses



Part Number	Description
Polyurethane Coil Hoses	
P14-10	1/4" x 10' polyurethane coil hose, (1) 1/4" rigid, (1) 1/4" swivel fitting
P14-20	1/4" x 20' polyurethane coil hose, (1) 1/4" rigid, (1) 1/4" swivel fitting
P14-30	1/4" x 30' polyurethane coil hose, (1) 1/4" rigid, (1) 1/4" swivel fitting
P38-10	3/8" x 10' polyurethane coil hose, (1) 3/8" rigid, (1) 3/8" swivel fitting
P38-20	3/8" x 20' polyurethane coil hose, (1) 3/8" rigid, (1) 3/8" swivel fitting
P38-30	3/8" x 30' polyurethane coil hose, (1) 3/8" rigid, (1) 3/8" swivel fitting
P12-10R	1/2" x 10' polyurethane coil hose, (2) 1/2" reusable swivel fittings
P12-20R	1/2" x 20' polyurethane coil hose, (2) 1/2" reusable swivel fittings
P12-30R	1/2" x 30' polyurethane coil hose, (2) 1/2" reusable swivel fittings

Features

- Superior elasticity and coil memory mean a cleaner work environment
- Outstanding flexibility increases operator comfort
- 25% lighter than rubber hose, reducing operator fatigue
- Abrasion and kink resistance increase lifetime
- Tight coil diameter allows easy entry into confined spaces
- Non-marring surface won't harm work pieces
- Broad chemical resistance makes hoses suitable for most environments
- Better than 80% working length extends your work space
- Straight tails on both ends eliminate workstation tangles
- Reusable MNPT fittings allow field retrofits
- Thread sealant on all fittings provides for leak-free joints

Fitting Kits



P38-RMS
Male Swivel

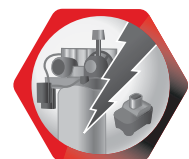


P38-RMR
Male Rigid



P12-RMS
Male Rigid

Part Number	Description
Fitting Kits	
P14-RMS	1/4" NPT reusable male swivel fitting kit for 1/4" ID polyurethane hose
P38-RMS	3/8" NPT reusable male swivel fitting kit for 3/8" ID polyurethane hose
P14-RMR	1/4" NPT reusable male rigid fitting kit for 1/4" ID polyurethane hose
P38-RMR	3/8" NPT reusable male rigid fitting kit for 3/8" ID polyurethane hose
P12-RFR	1/2" NPT reusable female rigid fitting kit for 1/2" ID polyurethane hose
P12-RMS	1/2" NPT reusable male rigid fitting kit for 1/2" ID polyurethane hose



Power Supply

SPEED-LOK AIR HOSES

- General-purpose hoses made of high-quality, durable synthetic rubber
- Ideal for general industrial, maintenance, and automotive applications
- Blue shell, color-coded for “compressed air”
- Maximum temperature limit for these hoses is 158° F
- Working pressure is 250 psig and the burst pressure is 1,000 psig
- Vacuum rating is 28 in Hg
- Does not need to be crimped at the jobsite, but rather can be cut to the required length, and then fitted to the system
- Comes on a 250' roll, but can be sold by the foot

Speed-Lok Air Hoses



Part Number	Hose ID	Hose OD	Weight lb	Radius
Speed-Lok Air Hoses				
38032249	3/8"	5/8"	0.11	3
38032926	1/2"	3/4"	0.18	5

PREMIUM RUBBER HOSE

- Premium rubber air hose, specifically designed for heavy-duty applications, such as industrial, maintenance, automotive, and/or construction
- 3/8" x 50' red hose with black Ingersoll Rand logo
- Black hose restricters on each end provide a 300 psi working pressure and a 4:1 safety burst ratio

Premium Rubber Hose



Part Number	Size
Premium Rubber Hose	
38016820	3/8" x 50'

Features

- Six-year warranty
- Longer life than PVC
- Reinforced innermost tube, resistant to the materials it is intended to convey
- Extended life bend restricters
- Increased flexibility in cold temperatures
- Designed to withstand the harshest jobsite conditions
- Extended service life due to number of threads, spirals, and thickness of rubber tube

BULK HOSE

Part Number	Hose Diameter	Description	Max Working Pressure psig
Bulk Hose			
BH8A	1/2"	1 braid rayon	250
50923	1/4"	1 braid black rayon	250
BH6C	3/8"	1 braid rayon	250
BH12A	3/4"	1 braid rayon	200

HOSE CLAMPS

Hose Clamps



MT1-AL34-3/8

Part Number	Hose Size	Description
Hose Clamps		
MT1-AL34-1/2	1/2" (13 mm)	1 braid rayon
MT1-AL34-3/4	3/4" (19 mm)	1 braid rayon

SPRING REWIND REELS

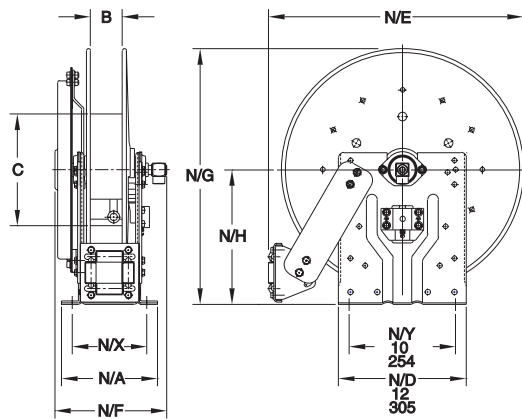
Spring Rewind Reels (for 3/8" or 1/2" Hose ID)



Part Number	Reel Dimensions in (mm)							Approx Weight lb (kg)	
	N/A	B	N/X	N/G	N/D	N/E	N/H		
Spring Rewind Reels (for 3/8" or 1/2" ID Hose)									
38032934	10 (254)	4 (102)	8 (203)	17.62 (448)	11.25 (286)	16.12 (409)	9.12 (232)	52 (24)	87 (39)

Single hose spring rewind reels have a narrow frame and compact mounting base. A heavy-duty spring motor provides self-contained rewind power. A non-sparking ratchet assembly locks the reel when the desired length of hose has been paid out. A pull on the hose unlocks the reel and the spring motor retracts the hose. A declutching arbor is provided to prevent damage from reverse winding. Reels can be fitted with up to 50 feet of 3/8" or 1/2" hose.

The single hose spring rewind reel is perfect for lubrication, general industrial applications, air / water, air tools, assembly, and washdown.



Inlet Connection: Standard inlet is 90° swivel joint with 1/2" female NPT threads.

Outlet Connection: Standard outlet is 1/2" female NPT thread.

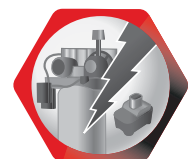
Operating Pressures & Temperatures: These reels operate at pressures to 3000 psi (207 bar) and handle product temperatures from -20° F to +225° F (-29° C to +107° C).

Rollers: All models are supplied with a four-way roller assembly.

Hose Stop: A hose stop for 1/2" hose is supplied as standard with the reel to prevent damage to rollers and nozzles and to permit adjustment of free hose length. When using 3/8" hose, a 3/8" hose stop must be ordered as a separate item Part Number 38329298.

Required for Assembly: Two connections are required. (2) 3/8" connections (Part Number 38328381) or (2) 1/2" connections (Part Number 38328415) plus incoming hose to reel and outgoing hose.

Finish: Red paint.



Power Supply

HOSE REELS

Low Pressure, Heavy-duty Reels

These new composite hose reels provides excellent durability and great value. All composite reels are made of tough glass-filled composite material combined with a strong steel base.



6358

Low Pressure, Ultra-duty Reels

Ultra-duty hose reels are ideal for the automotive shop. Increase safety and productivity around the garage while increasing hose life.



61338

Medium Pressure, Ultra-duty Reels

Medium pressure hose reels come standard with a single braid hose suitable for distribution of oil in the automotive aftermarket. Add a control handle and a Thunder pump and you're ready to go!



61432

High Pressure, Ultra-duty Reels

Great for the large multi-bay service center. High pressure reels come standard with a double braided hose for long distance distribution of grease and oil. Once the job is done, this reel will quickly rewind the hose to help maintain a clean and safe work environment.



61654

Part Number	Performance Rating	Max Pressure psi	Hose Length	Hose ID	Inlet / Outlet NPT	Dimensions L x W x H	Height	Spool Material	Use
Low Pressure Hose Reels									
6332	Heavy-duty	300	35'	1/2"	3/8" / 1/2"	17.75" x 7" x 20.37"	20.37"	Composite	Air, water, compatible solvents
6338	Heavy-duty	300	35'	3/8"	3/8" / 3/8"	17.75" x 7" x 20.37"	20.37"	Composite	Air, water, compatible solvents
6358	Heavy-duty	300	50'	3/8"	3/8" / 3/8"	17.75" x 7" x 20.37"	20.37"	Composite	Air, water, compatible solvents
61332	Ultra-duty	300	35'	1/2"	3/8" / 1/2"	16.5" x 6" x 17.5"	17.5"	Steel	Air, water, compatible solvents
61338	Ultra-duty	300	35'	3/8"	3/8" / 3/8"	13.5" x 6" x 14.5"	14.5"	Steel	Air, water, compatible solvents
61352	Ultra-duty	300	50'	1/2"	1/2" / 1/2"	19" x 7" x 20.25"	20.25"	Steel	Air, water, compatible solvents
61358	Ultra-duty	300	50'	3/8"	3/8" / 3/8"	16.5" x 6" x 17.5"	17.5"	Steel	Air, water, compatible solvents
613108VS	Supreme-duty	300	100'	3/8"	1/2" / 3/8"	24" x 10.5" x 25.4"	25.4"	Steel	Air, water, compatible solvents
61372VS	Supreme-duty	300	75'	1/2"	1/2" / 1/2"	24" x 10.5" x 25.4"	25.4"	Steel	Air, water, compatible solvents
613102VS	Supreme-duty	300	100'	1/2"	1/2" / 1/2"	24" x 10.5" x 25.4"	25.4"	Steel	Air, water, compatible solvents
61357VS	Supreme-duty	250	50'	3/4"	3/4" / 3/4"	24" x 10.5" x 25.4"	25.4"	Steel	Air, water, compatible solvents
Low Pressure Fuel Hose Reels									
61557VS	Supreme-duty	250	50'	3/4"	3/4" / 3/4"	24" x 10.5" x 25.4"	25.4"	Steel	Fuel UL330 / ULC approved
Medium Pressure Fuel Hose Reels									
6432	Heavy-duty	2,000	35'	1/2"	1/2" / 1/2"	17.75" x 7" x 20.37"	20.37"	Composite	Oil, ATF
61432	Ultra-duty	2,000	35'	1/2"	3/8" / 1/2"	16.5" x 6" x 17.5"	17.5"	Steel	Oil, ATF
61452	Ultra-duty	2,000	50'	1/2"	1/2" / 1/2"	19" x 7" x 20.25"	20.25"	Steel	Oil, ATF
61472VS	Supreme-duty	1,500	75'	1/2"	1/2" / 1/2"	24" x 10.5" x 25.4"	25.4"	Steel	Oil, ATF
61457VS	Supreme-duty	1,250	50'	3/4"	3/4" / 3/4"	24" x 10.5" x 25.4"	25.4"	Steel	Oil, ATF
High Pressure Hose Reels									
61634	Ultra-duty	5,000	35'	1/4"	1/4" / 1/4"	16.5" x 6" x 17.5"	17.5"	Steel	Grease
61654	Ultra-duty	5,000	50'	1/4"	1/4" / 1/4"	19" x 7" x 20.25"	20.25"	Steel	Grease
61678VS	Supreme-duty	4,000	75'	3/8"	3/8" / 3/8"	24" x 10.5" x 25.4"	25.4"	Steel	Grease
616108VS	Supreme-duty	4,000	100'	3/8"	3/8" / 3/8"	24" x 10.5" x 25.4"	25.4"	Steel	Grease

FILTERS, REGULATORS, AND LUBRICATORS (FRLs)



INGERSOLL RAND FILTERS, REGULATORS, AND LUBRICATORS (FRLs)

With Ingersoll Rand / ARO® brand filters, regulators, and lubricators (FRLs) in your operation, you get a cost-effective solution to increasing the life of your pneumatic equipment. You can save space, time, and piping costs. Our FRLs also give you greater mounting flexibility and convenience.

FILTERS, REGULATORS, AND LUBRICATORS (FRLs)

Air Preparation

The compact design of our FRLs saves space and provides more design flexibility than larger drying systems. Set-up time and piping costs are also reduced thanks to the use of common outlets.

Mounting Flexibility

Our FRLs offer greater mounting flexibility thanks to their convenient modular design. Modular clamps allow the lines on individual units to be removed without disturbing the inlet piping. Each FRL has threaded ports to allow use of pipe nipples, as well as modular configurations to meet various piping needs. T-type wall mounting brackets provide excellent wall-to-unit clearance for filter bowl removal and regulator adjustment.

Safety

Safety is a top priority and that's why we provide lock-out valves designed to attach to the inlet of the FRL system. These valves meet OSHA regulations, and protect the operator from injury caused by unexpected start-up of a machine during service or maintenance.

For more detailed information on the features or specifications of specific FRL types and models, please refer to the following section of the catalog.

FRL SERIES QUICK REFERENCE*

Ingersoll Rand offers several FRL Series components with a range of flow rates, port sizes, and applications. Please note that [this page only](#) represents a portion of FRL products available.

Ingersoll Rand ARO® Mini Series



NPT Port Size	Flow – cfm (dm³/s)					Pressure Range in Regulator psig (bar)
	Standard Filters	Coalescing Filters	Regulator	Piggyback	Lubricator	
Ingersoll Rand ARO Mini Series						
1/8"	28 (13)	15 (6)	13 (6)	13 (6)	41 (19)	5 – 125 (0.4 – 8.6)
1/4"	38 (18)	17 (8)	13 (6)	13 (6)	60 (28)	5 – 125 (0.4 – 8.6)

Ingersoll Rand ARO Compact Series



NPT Port Size	Flow – cfm (dm³/s)					Pressure Range in Regulator psig (bar)
	Standard Filters	Coalescing Filters	Regulator	Piggyback	Lubricator	
Ingersoll Rand ARO Compact Series						
1/4"	54 (25)	40 (17)	100 (47)	93 (44)	75 (35)	5 – 125 (0.4 – 8.6)
3/8"	100 (47)	51 (24)	130 (61)	135 (64)	100 (47)	5 – 125 (0.4 – 8.6)
1/2"	122 (58)	53 (25)	150 (71)	140 (66)	110 (52)	5 – 125 (0.4 – 8.6)

Ingersoll Rand ARO Heavy-duty Series



NPT Port Size	Flow – cfm (dm³/s)					Pressure Range in Regulator psig (bar)
	Standard Filters	Coalescing Filters	Regulator	Piggyback	Lubricator	
Ingersoll Rand ARO Heavy-duty Series						
1/2"	82 (39)	N/A	256 (121)	N/A	65 (31)	5 – 125 (0.4 – 8.6)
3/4"	87 (41)	N/A	287 (135)	N/A	75 (35)	5 – 125 (0.4 – 8.6)
1"	88 (42)	N/A	293 (138)	N/A	75 (35)	5 – 125 (0.4 – 8.6)
Ingersoll Rand Hi-Flow Heavy-duty Series						
3/4"	N/A	N/A	N/A	300	320	5 – 150 (0.5 – 10.4)
1"	N/A	N/A	N/A	300	320	5 – 150 (0.5 – 10.4)

Ingersoll Rand Jumbo Series



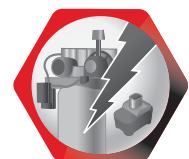
NPT Port Size	Flow – cfm (dm³/s)					Pressure Range in Regulator psig (bar)
	Standard Filters	Coalescing Filters	Regulator	Piggyback	Lubricator	
Ingersoll Rand Jumbo Series						
3/4"	323 (152)	N/A	481 (227)	N/A	196 (92)	0 – 125 (0 – 8.6)
1"	316 (149)	N/A	500 (236)	N/A	374 (176)	0 – 125 (0 – 8.6)

Ingersoll Rand Super-duty Series



NPT Port Size	Flow – cfm (dm³/s)					Pressure Range in Regulator psig (bar)
	Standard Filters	Coalescing Filters	Regulator	Piggyback	Lubricator	
Ingersoll Rand Super-duty Series						
1-1/4"	N/A	N/A	800 (377)	N/A	927 (437)	0 – 180 (0 – 12.5)
1-1/2"	1,280 (604)	445 (210)	1,200 (566)	N/A	927 (437)	0 – 180 (0 – 12.5)
2"	1,628 (768)	860 (406)	1,200 (566)	N/A	1,186 (560)	0 – 180 (0 – 12.5)

*NOTE: This table only represents a portion of FRLs offered. Please continue through this section for complete product listings.



Power Supply

INGERSOLL RAND HAS THE RIGHT COMBINATION

Proper conditioning of compressed air is essential to ensure maximum performance and service life from pneumatic power tools and equipment. The small initial investment for installation of air preparation units in an air line system will pay long-term dividends in increased productivity, consistent quality, and decreased maintenance costs. Ingersoll Rand offers an extensive line of air line filters, regulators, and lubricators, including individual units, piggybacks, and combos, to meet your exact air preparation requirements.

Filters



Filters

Ingersoll Rand compressed air filters are designed to remove solid and liquid airborne contaminants that can plug small orifices and hinder performance, or cause excessive wear and premature equipment failure. Several filter elements are offered, including models with coalescing elements for removal of oil aerosols and particles down to .3 micron.

- Pipe sizes from 1/8" to 2" NPT
- Flows to 1,400 cfm (660 dm³/s)
- Maximum inlet pressures to 250 psig (17 bar)

Regulators



Regulators

Ingersoll Rand air line regulators provide controlled, consistent air pressure as required for specific pneumatic equipment connected to the air system. Standard relieving-type regulators are offered in a variety of adjustable pressure ranges, with convenient spring options for easy conversion should requirements change. Non-relieving models are also offered for applications where the venting of downstream overpressure is undesirable. A Mini Series regulator is available for fluid applications.

- Pipe sizes from 1/8" to 2" NPT
- Flows to 1,200 cfm (566 dm³/s)
- Maximum inlet pressures to 300 psig (21 bar)

Lubricators



Lubricators

Ingersoll Rand fog-type lubricators help ensure that pneumatic devices receive the required lubrication to maintain operating performance, reduce wear, and prolong service life. They are designed to provide the correct amount of oil required for most general applications in a pneumatic system, delivering a constant ratio of oil to cfm. Precise oil feed adjustment allows the proper oil delivery rate. Lubricators should be installed close to the downstream application to ensure effective distribution of oil to pneumatic components.

- Pipe sizes from 1/8" to 2" NPT
- Flows to 1,186 cfm (560 dm³/s)
- Maximum inlet pressures to 250 psig (17 bar)

PRODUCT SELECTION

When selecting an FRL or individual filter, regulator, and lubricator units, the air consumption of the tools or equipment to be serviced should be correlated with the flow capacity of the FRL. Ingersoll Rand ARO filters, regulators, and lubricators are designed to flow in excess of that indicated in the maximum recommended flow table shown below. This table gives recommended flows for pipe sizes at listed pressures and should be used as a guide in sizing piping and equipment for compressed air systems.

MAXIMUM RECOMMENDED AIRFLOW (CFM) THROUGH A.N.S.I. STANDARD WEIGHT SCHEDULE 40 PIPE.*

Applied Pressure psig	Nominal Standard Pipe Size										
	1/8"	1/4"	3/8"	1/2"	3/4"	1"	1-1/4"	1-1/2"	2"	2-1/2"	3"
5	0.5	1.2	2.7	4.9	6.6	13	27	40	80	135	240
10	0.8	1.7	3.9	7.7	11	21	44	64	125	200	370
20	1.3	3	6.6	13	18.5	35	75	110	215	350	600
40	2.5	5.5	12	23	34	62	135	200	385	640	1100
60	3.5	8	18	34	50	93	195	290	560	900	1600
80	4.7	10.5	23	44	65	120	255	380	720	1200	2100
100	5.8	13	29	54	80	150	315	470	900	1450	2600
150	8.6	20	41	80	115	220	460	680	1350	2200	3900
200	11.5	26	58	108	155	290	620	910	1750	2800	5000
250	14.5	33	73	135	200	370	770	1150	2200	3500	6100

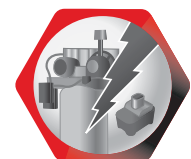
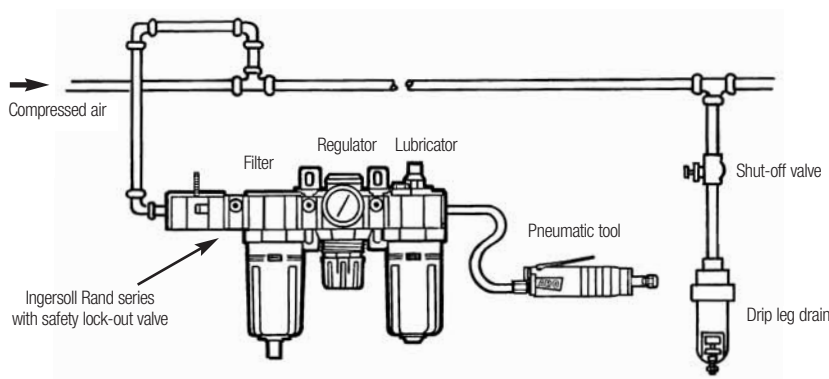
*The flow values in the chart above are based upon a pressure drop (ΔP) as set forth in the following schedule:

Pressure (Δ) per 100' of Pipe	Pipe Size
10% of applied pressure	1/8", 1/4", 3/8", 1/2"
5% of applied pressure	3/4", 1, 1-1/4", 1-1/2", 2, 2-1/2", 3"

INSTALLATION

The filter, regulator, and lubricator should be installed in the order shown in the illustration below. If a coalescing filter is required, it should be installed downstream from a standard filter. Individual take-off lines to the FRL and air tool or equipment should be from the top of the compressed air line. Make sure that airflow markings are followed for proper flow direction through the FRL units.

To trap and expel water, sludge, and other contaminants which may collect on the bottom of the air line, a drip leg drain should be used. Drip leg drains should be installed at low points in the piping system and at the far end of the distribution system.



Power Supply

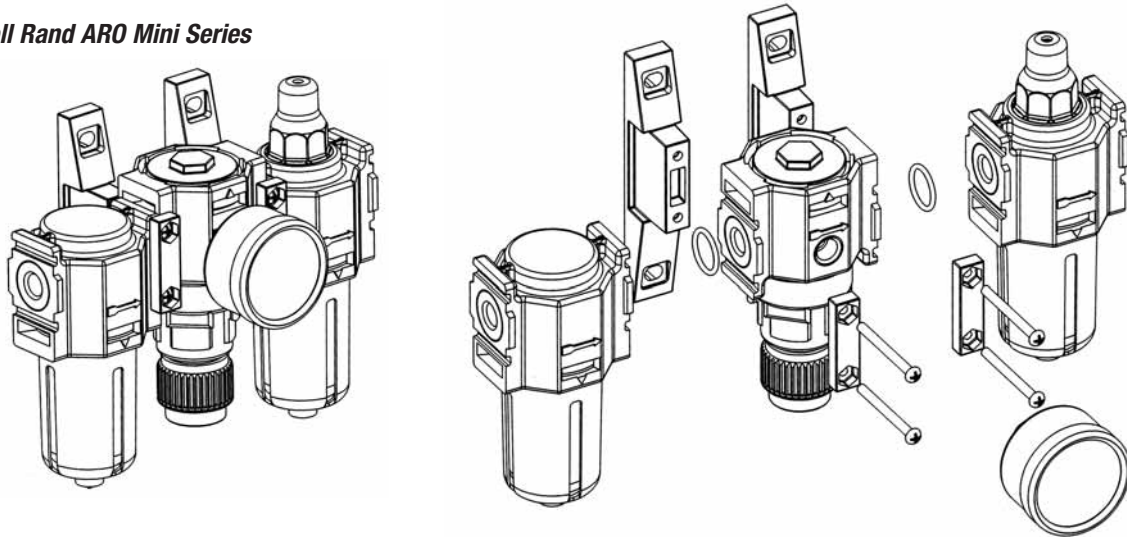
INGERSOLL RAND ARO® MINI AND COMPACT SERIES

MODULAR DESIGN

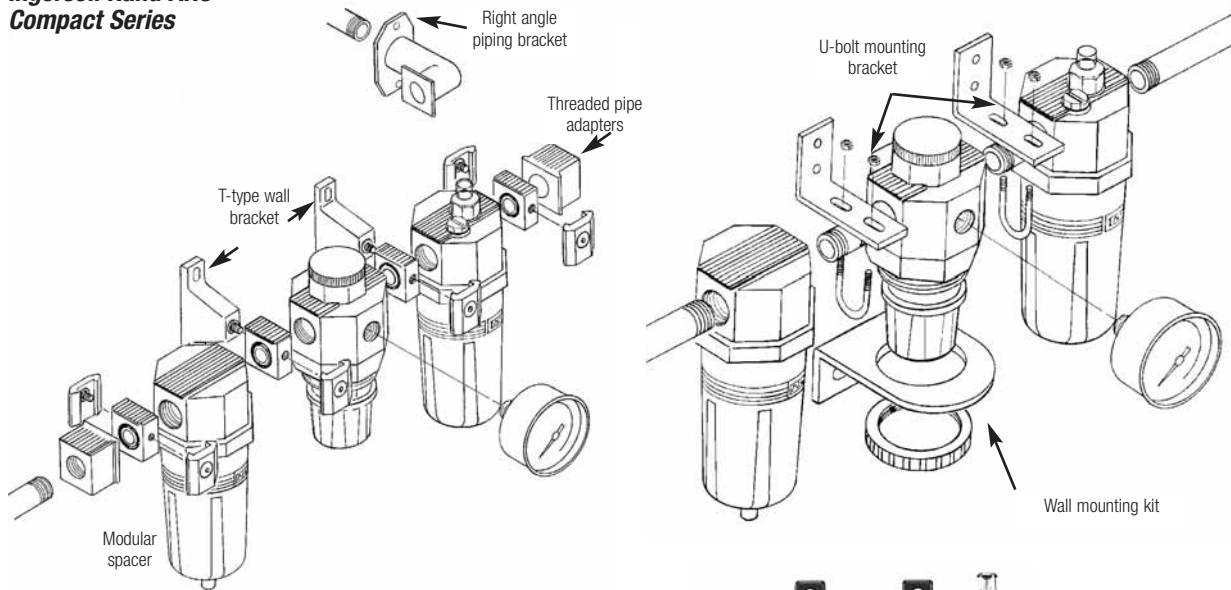
The Modular FRL with Pipe Nipple Capability

FRLs in the Mini and Compact Series have threaded ports, allowing either modular configurations or pipe nipple connections.

Ingersoll Rand ARO Mini Series



Ingersoll Rand ARO Compact Series



INGERSOLL RAND ARO® MINI SERIES

SERIES FEATURES

- 1. T-type wall mounting bracket** provides a rugged wall mount with excellent wall-to-unit clearance for installing connections.
- Units have **threaded ports** in the housing allowing the user to mix pipe nipples and modular configurations to meet application requirements.
- 3. Modular clamp** connects any two units together in a modular format. Screws are a combination of Phillips and slotted-head type.
- 4. Self-locking, non-rising regulator knob** allows easy one-hand adjustment. Pull down to adjust, push up to lock.
- 5. Quick change bowl** with 1/4 turn bayonet attachment. For safety, bowl cannot be removed when pressurized. Options provide the user with a bowl to fit any application.



Nylon composite



Poly bowl w/ bowl guard
- 6. Lubricator / screwdriver adjustment slot** has an optional tamper-resistant cap which prevents unauthorized adjustment of oil delivery.

- **Safety lock-out valve** meets OSHA regulation 1910.147 which requires protection from unexpected start-up of a machine during service or maintenance.



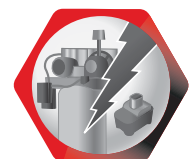
- **Standard filter and coalescing filter** provide 99.9% contaminant removal.



- **Modular design** permits removal of unit(s) from line. This allows for quick and easy repair and reduced downtime.

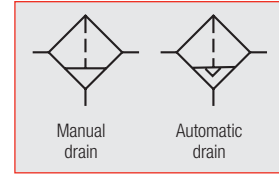


- **Regulator flexibility** allows the user to mount regulator up or down.



Power Supply

INGERSOLL RAND ARO MINI SERIES FILTERS



**Ingersoll Rand ARO®
Mini Series Filters**

1/8" AND 1/4" PORT SIZES

PRODUCT FEATURES

Ingersoll Rand ARO Mini Series filters are designed to separate condensed water, rust, scale, and other debris from air lines that can cause wear and premature failure of air tools, valves, cylinders, air motors, and other air-driven equipment. Filter units should be installed upstream of the regulator or lubricator to protect them from contamination. These filters are ideal for OEM and MRO applications.

- Glass-reinforced, composite bodies with threaded brass inserts are lightweight, corrosion-resistant, and have no paint to chip. Combination units can be pipe-nipped or clamped together in a modular configuration.
- Bowl guard has full-length slots for easy visual checking of liquid. A composite bowl is also available.
- Warning and technical information is printed in English, Spanish, French, and German on all bowl units.
- A quick-change bowl with bayonet attachment and line-up arrowheads provides easy bowl removal and filter element replacement.
- Air inlet arrow is molded into base.
- 20 micron filter element is standard. Five micron element available at no extra charge.
- Standard and automatic drain available.
- Bowl has external 1/8" NPT male thread, for piping away moisture.

PERFORMANCE SPECIFICATIONS

Materials of Construction

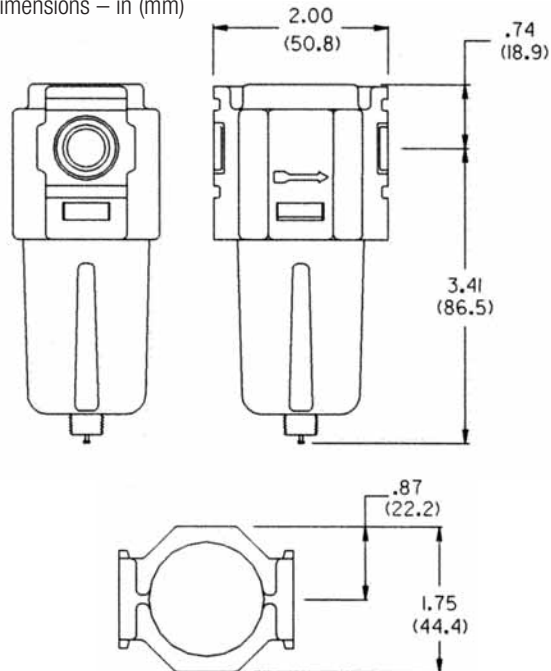
Body	Glass-reinforced, composite nylon
Bowl	Polycarbonate with bowl guard standard
Bowl Guard	Composite with sight windows
Seals	Buna-N
Drain	Push type
Filter Element	Porous polypropylene

Operating Conditions

Temp Range	0° – 125° F (-18° – 52° C)
Max Inlet Pressure	Polycarbonate bowl — 150 psig (10.4 bar) Composite bowl — 150 psig (10.4 bar)
Slump Capacity	.60 oz (18 ml)
Airflow	90 psig (6.2 bar) inlet and 5 psig (0.4 bar) pressure drop 1/8" — 28 cfm (13 dm³/s) 1/4" — 38 cfm (18 dm³/s)

DIMENSIONAL DATA

Dimensions – in (mm)



INGERSOLL RAND ARO MINI SERIES FILTERS

ORDERING*

From the chart below, select the model number associated with the port size, bowl, and drain option required. If other options are needed, use the menu below the chart to select the proper model number. For BSP threads, consult our factory.

Note: Not all menu combinations are valid. See price book to verify.

Port Size NPT	Airflow cfm	Bowl Size oz (ml)	Filter Element micron	Weight lb (kg)	Manual Push Drain		Automatic Drain	
					Composite Bowl	Polycarbonate Bowl with Guard	Composite Bowl	Polycarbonate Bowl with Guard
Standard Filters								
1/8"	28	1.10 (33)	20	1.48 (.68)	F25111-220	F25111-200	F25111-221	F25111-201
1/4"	38	1.10 (33)	20	1.46 (.66)	F25121-220	F25121-200	F25121-221	F25121-201
Coalescing Filters								
1/8"	15	1.10 (33)	N/A	1.48 (.68)	F25111-320	F25111-300	F25111-321	F25111-301
1/4"	17	1.10 (33)	N/A	1.46 (.68)	F25121-320	F25121-300	F25121-321	F25121-301

**Tables do not represent the complete offering. Refer to the model number key for additional combinations.*

COALESCING FILTERS

These high efficiency filters are designed for applications where the delivered air must be free of oil and fine particles such as in paint spraying, instrumentation controls, and other compressed air applications. Use in conjunction with an upstream filter. (See example below.) Filter units should also be installed upstream of the regulator or lubricator to protect them from contamination. These filters are ideal for OEM and MRO applications.



PORT SIZE NPT	BASIC MODEL	THREAD TYPE			
1/8"	F25111-	X	X	X	With Brass Insert
1/4"	F25121-	X	X	X	With Brass Insert
1/8"	F25131-	X	X	X	Molded Thread (no inserts)
1/4"	F25141-	X	X	X	Molded Thread (no inserts)

Filter Element	Bowl Option	Drain Option
2 = 20 micron	0 = Polycarbonate with guard	0 = Manual push drain
3 = .01 micron coalescing	2 = Composite nylon	1 = Automatic drain
4 = 5 micron		

Clamp Kit



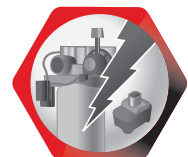
104263

T-type Wall Mount Bracket Kit



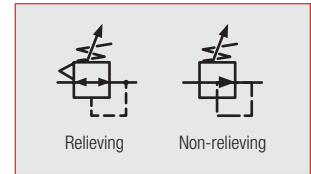
104262

Part Number	Description
Filter Accessories	
104264	Automatic drain
29660-2	20 Micron filter element
29660-1	5 Micron filter element
29586	.01 Micron filter element (coalescing)
104259	Composite bayonet bowl
104258	Polycarbonate bowl with guard
104257	Service kit
104262	T-type wall mounting bracket kit
104263	Clamp kit



Power Supply

INGERSOLL RAND ARO MINI SERIES REGULATORS



Ingersoll Rand ARO®
Mini Series Regulators

1/8" AND 1/4" PORT SIZES

PRODUCT FEATURES

Ingersoll Rand ARO Mini Series regulators are designed to provide quick response and accurate pressure regulation over a wide range of applications. Two gauge ports allow for more versatility in mounting and usage of the unit. Three spring options provide high-range / low-range pressure capabilities.

- Glass-reinforced, composite bodies with threaded brass inserts are lightweight, corrosion-resistant, and have no paint to chip. Combination units can be pipe-nippled or clamped together in a modular configuration.
- Non-rising, self-locking adjustment knob cannot be vibrated loose. Arrows on the knob allow for easy adjustment.
- Regulator can be mounted either up or down, increasing user flexibility.
- Regulator offers in-line repairability. Diaphragm can be replaced without removing unit from line.
- Regulator can be wall- or panel-mounted up to 3/16" thickness. Hole diameter is 1-3/16".
- A tamper-resistant knob is available.
- Order regulator with or without gauge.

PERFORMANCE SPECIFICATIONS

Materials of Construction

Body	Glass-reinforced composite
Seals	Buna-N
Diaphragm	Buna-N
Valve Spring	Stainless steel
Spring Housing	Glass-filled nylon
Cap & Knob	High impact ABS
Gauge Port	1/8" NPT

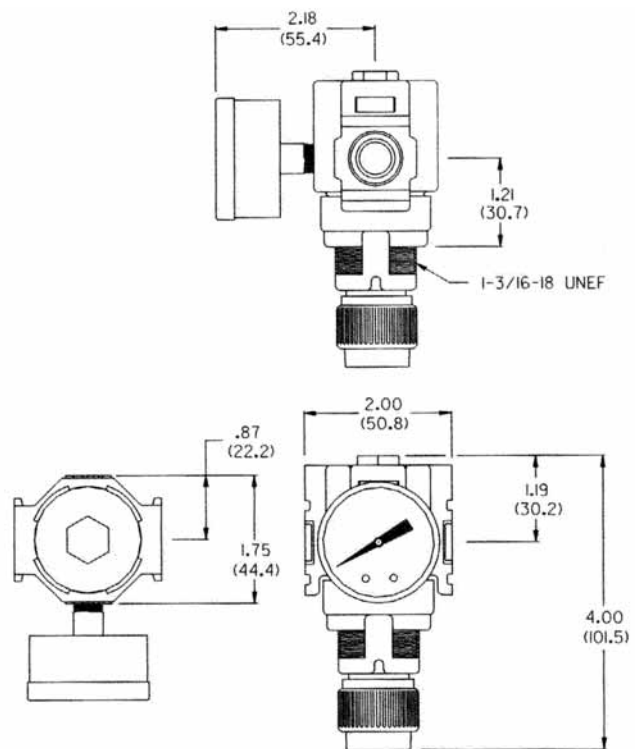
Operating Conditions

Temp Range	0° – 125° F (-18° – 52° C)
Max Inlet Pressure	250 psig (17 bar)
Airflow	100 psig (6.9 bar) inlet and 90 psig (6.2 bar) outlet 1/8" — 13 cfm (6 dm³/s) 1/4" — 13 cfm (6 dm³/s)

CAUTION: Outlet pressure adjustment ranges are not minimum or maximum outlet pressure limits. Regulators can be adjusted to zero psig secondary pressure and, generally, to pressures in excess of those specified. The use of these regulators to control pressures outside of the specified ranges is not recommended.

DIMENSIONAL DATA

Dimensions – in (mm)



INGERSOLL RAND ARO MINI SERIES REGULATORS

ORDERING*

From the chart below select the model number associated with the port size, pressure range, relieving, and control option required. If other options are needed, use the menu below the chart to select the proper model number. For BSP threads, consult our factory.

Note: Not all menu combinations are valid. See price book to verify.

Port Size NPT	Airflow cfm	Weight lb (kg)	Without Gauge		With Gauge	
			5 – 125 psig	0 – 50 psig	5 – 125 psig	0 – 50 psig
Relieving Type Regulators						
1/8"	13	1.38 (.63)	R27111-100	R27111-200	R27111-600	R27111-700
1/4"	13	1.34 (.61)	R27121-100	R27121-200	R27121-600	R27121-700

**Tables do not represent the complete offering. Refer to the model number key for additional combinations.*

PORT SIZE NPT	BASIC MODEL	THREAD TYPE
1/8"	R27111- X X X	With Brass Insert
1/4"	R27121- X X X	With Brass Insert
1/8"	R27131- X X X	Molded Thread (no inserts)
1/4"	R27141- X X X	Molded Thread (no inserts)

Pressure Range psig (bar)	Relieving Option	Control Option
1 = 5 – 125 (.4 – 8.6) No gauge	0 = Relieving	0 = Standard knob
2 = 0 – 50 (0 – 3.5) No gauge	2 = Non-relieving	3 = Tamper-resistant
4 = 0 – 15 (.0 – 1) No gauge		
6 = 5 – 125 (.4 – 8.6) with gauge 0 – 150 lb (#100095-160)		
7 = 0 – 50 (0 – .35) with gauge 0 – 60 lb (#29863)		

Clamp Kit



104263

Gauge



100095-160

T-type Wall Mount Bracket Kit



104262

Part Number	Description
Regulator Accessories	
29668	Mounting bracket
104094	Panel mount nut
104039	Stud mount
104255	Service kit, relieving
104256	Service kit, non-relieving
104109	Tamper-resistant knob kit
29863	Gauge 0 – 60 psig
100095-160	Gauge 0 – 150 psig
29850	Gauge 0 – 160 psig
29846	Gauge 0 – 15 psig

Part Number	Description
Regulator Accessories	
104265	Nut & bracket kit (includes 104094 nut & 29668 bracket)
29539	Spring 5 – 125 lb (gold)
29540	Spring 0 – 50 lb (green)
29754-1	Spring 0 – 25 lb (blue)
29622	Spring 0 – 15 lb (black)
104262	T-type wall mounting bracket kit
104263	Clamp kit



Power Supply

INGERSOLL RAND ARO MINI SERIES FILTER / REGULATOR PIGGYBACK



Relieving with
manual drain



*Ingersoll Rand ARO® Mini Series Filter /
Regulator Piggyback*

1/8" AND 1/4" PORT SIZES

PRODUCT FEATURES

Ingersoll Rand ARO Mini Series piggyback units are compact to save space, giving more design flexibility. These units have one common inlet / outlet for both the filter and regulator. This saves on space, set-up time, and piping costs.

- Glass-reinforced, composite bodies with threaded brass inserts are lightweight, corrosion-resistant, and have no paint to chip. Combination units can be pipe nipped or clamped together in a modular configuration.
- Non-rising, self-locking adjustment knob cannot be vibrated loose.
- Arrows on the knob allow for easy adjustment.
- Regulator offers in-line repairability. Diaphragm can be replaced without removing unit from line.
- Bayonet bowl attachment with line-up arrowheads provides easy filter element removal. Arrowheads assure user of locked position.
- Standard and automatic drains available.
- Bowl has external 1/8" NPT thread, for piping away moisture.
- Polycarbonate bowl with guard or composite corrosion-resistant bowl available.
- Air inlet arrow is molded into housing for easy air line hookup.

PERFORMANCE SPECIFICATIONS

Materials of Construction

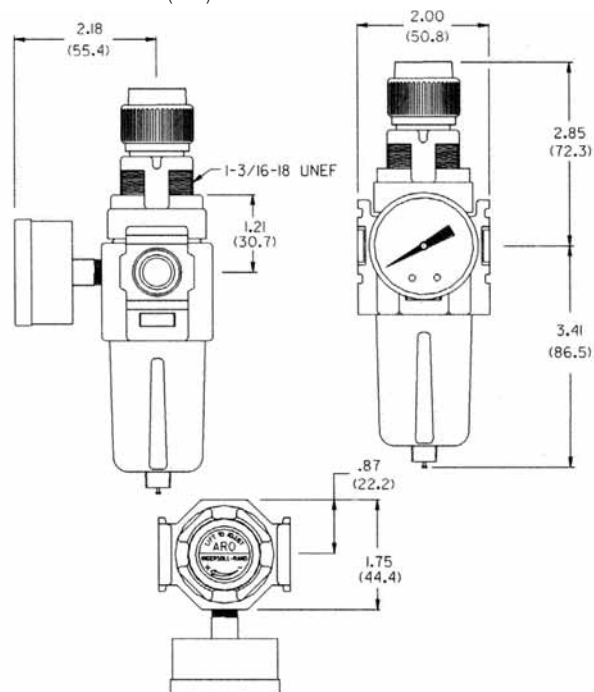
Body	Glass-reinforced bodies
Bowl	Polycarbonate with bowl guard standard
Bowl Guard	Composite with sight windows
Composite Bowl	Nylon
Seals	Buna-N
Drain	Push type
Filter Element	Porous polypropylene
Diaphragm	Buna-N
Spring Housing	Glass-filled nylon
Valve Spring	Stainless steel

Operating Conditions

Temp Range	0° – 125° F (-18° – 52° C)
Max Inlet Pressure	Poly bowl — 150 psig (10.4 bar) Composite bowl — 150 psig (10.4 bar)
Airflow	90 psig (6.2 bar) inlet 5 psig (0.4 bar) pressure drop 1/8" — 13 cfm (6 dm ³ /s) 1/4" — 13 cfm (6 dm ³ /s)

DIMENSIONAL DATA

Dimensions – in (mm)



CAUTION: Outlet pressure adjustment ranges are not minimum or maximum outlet pressure limits. Regulators can be adjusted to zero psig secondary pressure and, generally, to pressures in excess of those specified. The use of these regulators to control pressures outside of the specified ranges is not recommended.

INGERSOLL RAND ARO MINI SERIES FILTER / REGULATOR PIGGYBACK

ORDERING*

From the chart below, select the model number associated with the port size, pressure range, and drain option required. If other options are needed, use the menu below the chart to select the proper model number. For BSP threads, consult our factory.

Port Size NPT	Airflow cfm	Weight lb (kg)	Filter Element micron	Pressure Range psig (bar)	Composite Bowl		Poly Bowl with Bowl Guard	
					Push Drain	Automatic Drain	Push Drain	Automatic Drain
1/8"	13	2.05 (.93)	20	5 – 125 (.4 – 8.6)	P29112-120	P29112-124	P29112-100	P29112-104
1/4"	13	2.03 (.92)	20	5 – 125 (.4 – 8.6)	P29122-120	P29122-124	P29122-100	P29122-104

Note: Not all menu combinations are valid. See price book to verify.

*Tables do not represent the complete offering. Refer to the model number key for additional combinations.

PORT SIZE NPT	BASIC MODEL	THREAD TYPE
1/8"	P2911 X - X X X	With Brass Insert
1/4"	P2912 X - X X X	With Brass Insert
1/8"	P2913 X - X X X	Molded Thread (no inserts)
1/4"	P2914 X - X X X	Molded Thread (no inserts)

Filter Element	Pressure Range psig (bar)	Relieving Bowl Option	Control Option
2 = 20 Micron	1 = 5 – 125 (.4 – 8.6) No gauge	0 = Relieving / poly with guard	0 = Standard knob / manual drain
4 = 5 Micron	2 = 0 – 50 (0 – 3.5) No gauge	2 = Relieving / composite	3 = Tamper-resistant knob / manual drain
	4 = 0 – 15 (.0 – 1) No gauge	3 = Non-relieving / poly with guard	4 = Standard knob / auto drain
	6 = 5 – 125 (.4 – 8.6) with gauge		
	7 = 0 – 50 (0 – .35) with gauge		

Clamp Kit



104263

Kit includes screws and O-ring

Gauge



100095-160

T-type Wall Mount Bracket Kit

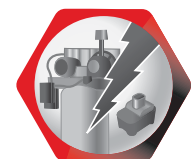


104262

Kit includes T-bracket, clamp, screws, and O-ring

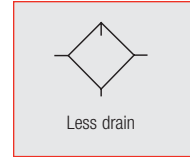
Part Number	Description
Piggyback Accessories	
29668	Mounting bracket
104094	Panel mount nut
104039	Stub mount
104255	Service kit, relieving
104256	Service kit, non-relieving
104109	Tamper-resistant kit
104263	Clamp kit
104262	T-type wall mount bracket kit
29863	Gauge 0 – 60 psig
100095-160	Gauge 0 – 150 psig
29846	Gauge 0 – 15 psig
29850	Gauge 0 – 160 psig

Part Number	Description
Piggyback Accessories	
104258	Poly bowl with guard
104259	Composite bowl
104265	Nut & bracket kit (includes 104094 nut & 29668 bracket)
29660-1	5 Micron element
29660-2	20 Micron element
104264	Pulse drain kit



Power Supply

INGERSOLL RAND ARO MINI SERIES LUBRICATORS



*Ingersoll Rand ARO®
Mini Series Lubricators*

1/8" AND 1/4" PORT SIZES

PRODUCT FEATURES

Ingersoll Rand ARO Mini Series lubricators feature an adjustment needle on top of the transparent sight dome with finer threads and improved tolerances between the needle and seat. This allows for easy drip rate adjustment. The required amount of lubrication can be efficiently delivered for longer life of tools, cylinders, valves, pumps, air motors, and other air-operated equipment. Lightweight, non-detergent oils, like ARO pneumatic lubricating oil (part number 29665) is recommended.

- The oil adjustment feature has a tamper-resistant plug (part number 104027) which helps prevent unauthorized adjustment of oil.
- Transparent sight dome has 360° visibility.
- Bayonet bowl provides easy removal to allow quick oil refill.
- Glass-reinforced, composite bodies with threaded brass inserts are lightweight, corrosion-resistant, and have no paint to chip. Combination units can be pipe nipples or clamped together in a modular configuration.

PERFORMANCE SPECIFICATIONS

Materials of Construction

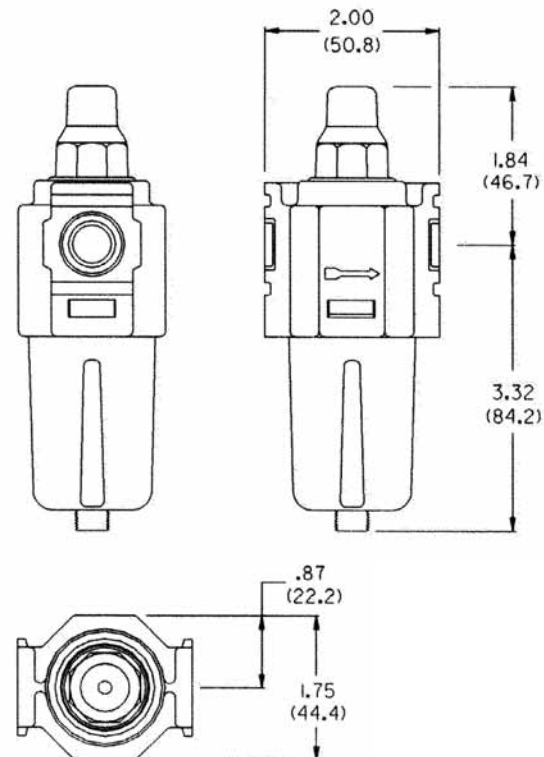
Body	Glass-reinforced bodies
Bowl	Polycarbonate with bowl guard standard
Bowl Guard	Composite with sight windows
Seals	Buna-N
Sight Dome	Nylon

Operating Conditions

Temp Range	0° – 125° F (-18° – 52° C)
Max Inlet Pressure	Polycarbonate bowl — 150 psig (10.4 bar) Composite bowl — 150 psig (10.4 bar)
Oil Capacity	1.10 oz (33 ml)
Airflow	90 psig (6.2 bar) inlet 5 psig (0.4 bar) pressure drop 1/8" — 41 cfm (91 dm ³ /s) 1/4" — 60 cfm (28 dm ³ /s)

DIMENSIONAL DATA

Dimensions – in (mm)



INGERSOLL RAND ARO MINI SERIES LUBRICATORS

ORDERING*

From the chart below, select the model number associated with the port size and bowl option required. If other options are needed, use the menu below the chart to select the proper model number. For BSP threads, consult our factory.

Note: Not all menu combinations are valid. See price book to verify.

Port Size NPT	Airflow cfm	Bowl Size oz (ml)	Weight lb (kg)	Composite Bowl	Poly Bowl with Bowl Guard
1/8"	41	1.10 (33)	1.50 (.68)	L26111-120	L26111-100
1/4"	60	2.03 (.92)	1.44 (.65)	L26121-120	L26121-100

**Tables do not represent the complete offering. Refer to the model number key for additional combinations.*

PORT SIZE NPT	BASIC MODEL	THREAD TYPE
1/8"	L26111- X X X	With Brass Insert
1/4"	L26121- X X X	With Brass Insert
1/8"	L26131- X X X	Molded Thread (no inserts)
1/4"	L26141- X X X	Molded Thread (no inserts)

Adjustment Option	Bowl Option	Fill Option
1 = Standard	0 = Polycarbonate with guard 2 = Composite nylon	0 = Standard

Clamp Kit



104263

T-type Wall Mount Bracket Kit



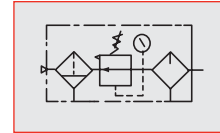
104262

Part Number	Description
Lubricator Accessories	
29665	Lubricating oil (1 qt)
104260	Polycarbonate bowl with guard
104261	Composite bowl
104027	Tamper-resistant plug
104226	Sight dome repair kit
104181	Service kit
104262	T-type wall mount bracket kit
104263	Clamp kit



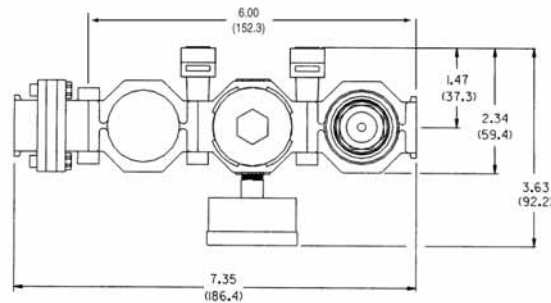
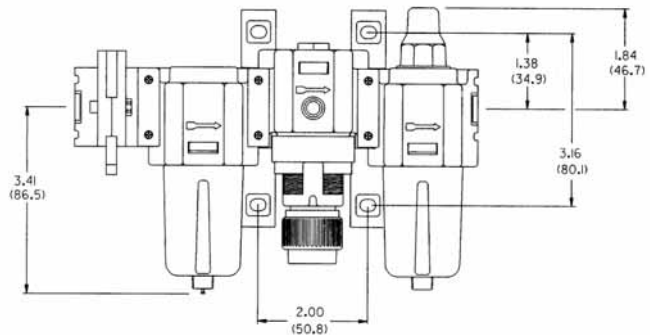
Power Supply

INGERSOLL RAND ARO MINI SERIES COMBINATION UNITS



DIMENSIONAL DATA

Dimensions – in (mm)



FILTER / REGULATOR / LUBRICATOR COMBO

PERFORMANCE SPECIFICATIONS

Max Inlet Pressure	150 psig (10.4 bar)
Temp Range	0° – 125° F (-18° – 52° C)
Filter Element	20 micron
Pressure Range In	5 – 125 psig
Regulator	(.4 – 8.6 bar)
Gauge	0 – 150 psi
Gauge Port	1/8" NPT

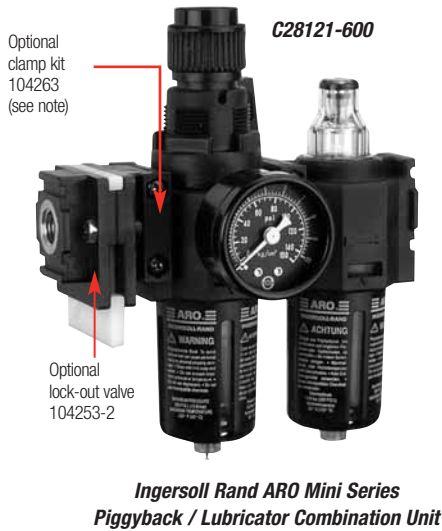
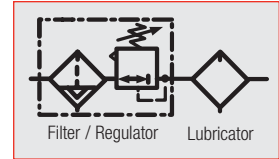
ORDERING

Select the basic model number which represents the port size and bowl option required. If other options are required, order each unit separately. Units are shipped assembled. For BSP threads, consult our factory.

Port Size NPT	Models		Weight lb (kg)	Components		
	with T-mounts	without T-mounts		Filter	Regulator	Lubricator
Push Drain – Polycarbonate Bowl with Bowl Guard						
1/8"	C28111-800	C28112-800	5.54 (1.88)	F25111-200	R27111-600	L26111-100
1/4"	C28121-800	C28122-800	5.42 (2.46)	F25121-200	R27121-600	L26121-100
Automatic Drain – Polycarbonate Bowl with Bowl Guard						
1/8"	C28111-801	C28112-801	5.54 (1.88)	F25111-201	R27111-600	L26111-100
1/4"	C28121-801	C28122-801	5.42 (2.46)	F25121-201	R27121-600	L26121-100

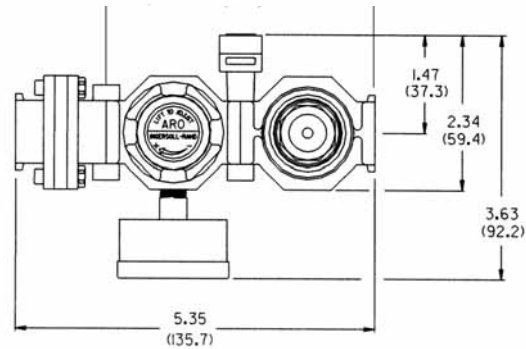
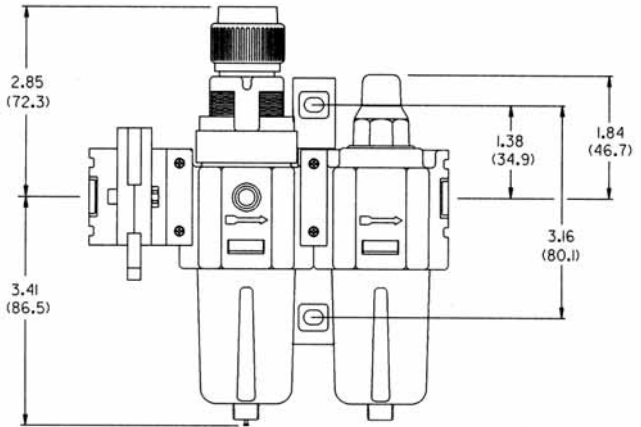
Notes: Order lock-out valve separately and attach to filter inlet with clamp kit (104263). To order modular model with pipe nipples, place a "3" in the sixth position of the model number. Example: C28XX3-XXX.

INGERSOLL RAND ARO MINI SERIES COMBINATION UNITS



DIMENSIONAL DATA

Dimensions – in (mm)



PIGGYBACK LUBRICATOR

PERFORMANCE SPECIFICATIONS

Max Inlet Pressure	150 psig (10.4 bar)
Temp Range	0° – 125° F (-18° – 52° C)
Filter Element	20 micron
Pressure Range in Regulator	5 – 125 psig (.4 – 8.6 bar)
Gauge	0 – 150 psi
Gauge Port	1/8" NPT

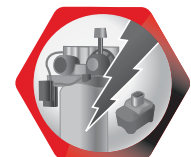
ORDERING*

Select the basic model number which represents the port size and bowl option required. If other options are required, order each unit separately. Units are shipped assembled. For BSP threads, consult our factory.

Port Size NPT	Models		Weight lb (kg)	Components	
	w/ T-Mounts	w/o T-Mounts		Filter / Regulator	Lubricator
Push Drain – Polycarbonate Bowl w/ Bowl Guard					
1/8"	C28111-600	C28112-600	4.14 (1.88)	P29112-600	L26111-100
1/4"	C28121-600	C28122-600	4.06 (1.84)	P29122-600	L26121-100
Automatic Drain – Polycarbonate Bowl w/ Bowl Guard					
1/8"	C28111-601	C28112-601	4.14 (1.88)	P29112-604	L26111-100
1/4"	C28121-601	C28122-601	4.06 (1.84)	P29122-604	L26121-100

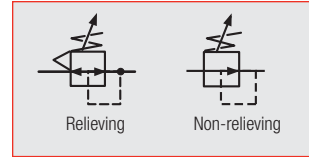
Notes: Order lock-out valve separately and attach to filter inlet with clamp kit (104263). To order modular model with pipe nipples, place a "3" in the sixth position of the model number. Example: C28XX3-XXX.

*Tables do not represent the complete offering. Refer to the model number key for additional combinations.



Power Supply

INGERSOLL RAND ARO MINI SERIES COMPOSITE REGULATORS



1/8" AND 1/4" PORT SIZES

PRODUCT FEATURES

Ingersoll Rand ARO Mini Series composite regulators are the ideal choice where a small, compact unit is required to provide accurate control of either airflow or waterflow. Its diaphragm design provides a durable, no-leak seal especially effective in water and low-flow applications. Offering exceptional repetition, the ARO Mini regulator quickly returns to within 1% of its initial setting after any change in downstream pressure, when used in the mid-range of its rated regulatory capability. This regulator is constructed of materials approved by the National Sanitation Foundation (NSF).

- A corrosion-resistant, glass-reinforced composite body can be ordered with either molded threads or corrosion-resistant, zinc-plated steel inserts.
- A stainless steel valve spring is the only metallic part to come in contact with the regulated medium.
- Buna-N diaphragm is fabric-reinforced for superior sealing in water and low-flow applications.
- Regulator can be panel-mounted up to a thickness of 3/16" and a 1-3/16" 18-spring housing thread allows easy panel mounting.
- A non-rising, locking adjustment knob cannot be vibrated loose. Simply pull and rotate the knob to adjust the downstream pressure setting. A tamper-resistant adjustment knob is also available.



*Ingersoll Rand ARO® Mini Series
Composite Regulators*

127122-600
(shown with 29850 gauge)

PERFORMANCE SPECIFICATIONS

Materials of Construction

Body	Glass-reinforced composite
Seals	Buna-N
Diaphragm	Buna-N
Valve Seat	Acetal resin
Spring Housing	Glass-filled nylon
Knob	Acetal resin
Valve Spring	Stainless steel

Performance Specifications

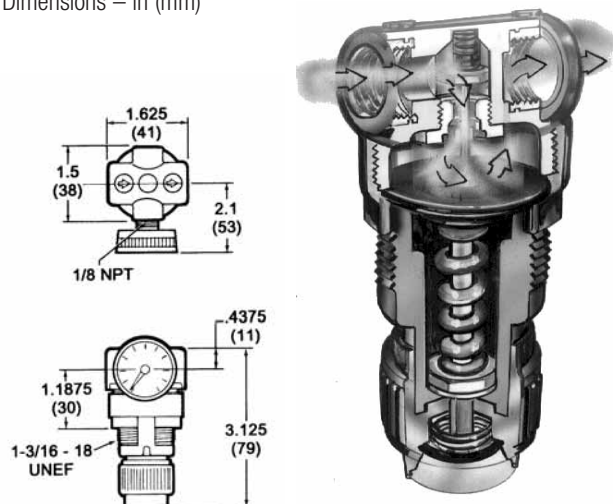
Max Inlet Pressure	250 psig (17 bar)
Pressure Range In Regulator	0 – 125 psig (0 – 8.6 bar)
Temp Range	0° – 150° F (-18° – 65° C)
Weight	1/8" — .25 lb (115 g) 1/4" — .22 lb (100 g)
*Airflow	1/8" — 13 cfm (6 dm ³ /s) 1/4" — 13 cfm (6 dm ³ /s)
**Waterflow	1/8" — 1.75 gpm (6.6 L/min) 1/4" — 2 gpm (7.6 L/min)
Gauge Port	1/8" NPT

*Airflow is at 125 psig (8.6 bar) inlet and 100 psig (6.9 bar) outlet.

**Waterflow is at 60 psig (4.1 bar) inlet and 40 psig (2.8 bar) outlet.

DIMENSIONAL DATA

Dimensions – in (mm)



CAUTION: Outlet pressure adjustment ranges are not minimum or maximum outlet pressure limits. Regulators can be adjusted to zero psig secondary pressure and, generally, to pressures in excess of those specified. The use of these regulators to control pressures outside of the specified ranges is not recommended.

INGERSOLL RAND ARO MINI SERIES COMPOSITE REGULATORS

ORDERING*


Regulators with 1/8" and 1/4" port sizes are ideal for water and low-flow applications. Select the basic model number associated with the thread type and port size (1/8" or 1/4") desired from the table below. For BSP threads, consult our factory.

Note: Not all menu combinations are valid. See price book to verify.

*Tables do not represent the complete offering. Refer to the model number key for additional combinations.

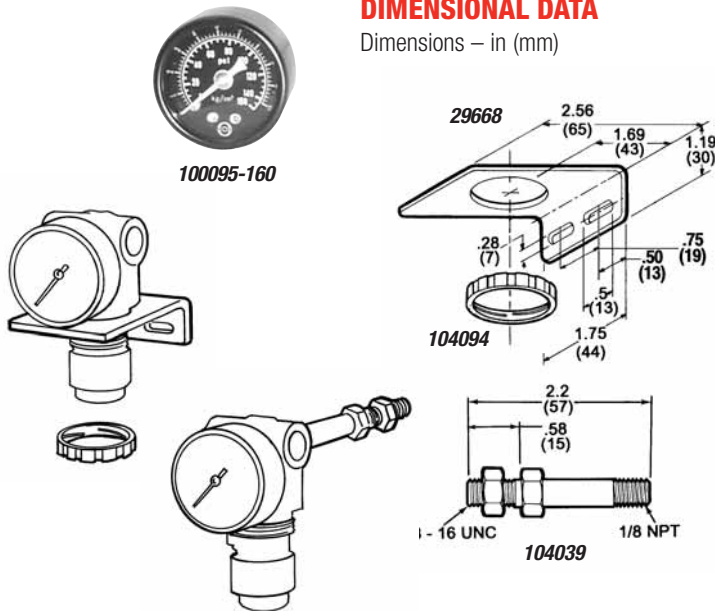
PORT SIZE	BASIC MODEL	THREAD TYPE
1/8"	127112- X X X	With Insert (steel thread)
1/4"	127122- X X X	With Insert (steel thread)
1/8"	127142- X X X	Molded Thread (no insert) for Water Service
1/4"	127142- X X X	Molded Thread (no insert) for Water Service

Pressure Range psig (bar)	Relieving Option	Control Option
0 = 5 – 125 (.4 – 8.6 no gauge)	0 = Relieving (for air servicing)	0 = Standard knob
1 = 0 – 50 (.0 – 3.5 no gauge)	2 = Non-relieving (for air servicing)	3 = Tamper-resistant knob
2 = 0 – 25 (.0 – 1.7 no gauge)		
3 = 0 – 15 (.0 – 1 no gauge)		
6 = 5 – 125 (.4 – 8.6 with 0 – 160 lb gauge #29850)		
7 = 0 – 50 (.0 – 3.5 with 0 – 60 lb gauge #29863)		
8 = 0 – 15 (.0 – 1.0 with 0 – 15 lb gauge #29846)		

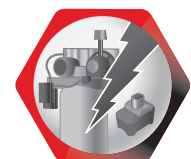
 Red area indicates best-selling models.

ACCESSORY DIMENSIONAL DATA

Dimensions – in (mm)



Part Number	Description
Regulator Accessories	
29846	Gauge 0 – 15 psig (0 – 1 bar)
29755-1	Gauge 0 – 30 psig (0 – 2 bar)
29863	Gauge 0 – 60 psig (0 – 4 bar)
29850	Gauge 0 – 160 psig (0 – 11 bar)
100095-160	Gauge 0 – 150 psig (0 – 10 bar)
29539	Spring 5 – 125 lb (gold)
29540	Spring 0 – 50 lb (green)
29754-1	Spring 0 – 25 lb (blue)
29622	Spring 0 – 15 lb (black)
29668	Mounting bracket
104094	Panel mounting nut
104039	Stud mount
104158	Service kit, relieving type
104159	Service kit, non-relieving type
104109	Tamper-resistant knob kit
104265	Nut & bracket kit (includes 104094 nut & 29668 bracket)



Power Supply

INGERSOLL RAND ARO MINI SERIES ACCESSORY KITS

Kit Number	Description	Kit Contents
Filter Accessory Kits		
29586	Coalescing .01 micron element	(1) Element
29660-1	5 micron element	(1) Element
29660-2	20 micron element	(1) Element
104257	Service kit	(2) O-rings
104258	Polycarbonate bowl with guard	(1) Polycarbonate bowl with guard, (1) valve, (1) O-ring
104259	Composite bowl	(1) Composite bowl, (1) valve, (1) O-ring
104264	Automatic drain kit	(1) Pulse drain, (1) O-ring
Regulator Accessory Kits		
104039	Stud mount	(1) Stud and mounting nut
104109	Tamper-resistant knob kit	(1) Knob
104255	Service kit (relieving)	(1) Spring, (1) washer, (1) diaphragm, (1) O-ring
104256	Service kit (non-relieving)	(1) Spring, (1) washer, (1) diaphragm, (1) O-ring
104265	Mounting nut bracket kit	(1) Mounting nut, (1) wall bracket
Lubricator Accessory Kits		
104181	Service kit	(1) Compensating valve, (1) O-ring
104260	Polycarbonate bowl with guard	(1) Polycarbonate bowl with guard, (1) O-ring
104261	Composite bowl	(1) Composite bowl, (1) O-ring
Modular Components Accessory Kits		
104253-1	Safety lock-out / tag-out	1/8" NPT threads
104253-2	Safety lock-out / tag-out	1/4" NPT threads
104253-1-B	Safety lock-out / tag-out	1/8" BSP threads
104253-2-B	Safety lock-out / tag-out	1/4" BSP threads
104254-1	Manifold	1/8" NPT manifold, (1) Pipe plug
104254-2	Manifold	1/4" NPT manifold, (1) Pipe plug
104254-1-B	Manifold	1/8" BSP manifold, (1) Pipe plug
104254-2-B	Manifold	1/4" BSP manifold, (1) Pipe plug
104262	T-bracket mounting kit	(1) Bracket, (1) O-ring, (2) screws
104263	Clamp kit	(2) Clamps, (1) O-ring, (2) screws
Y237-2	Pipe nipple	1/8" NPT threads
Y27-2-C	Pipe nipple	1/4" NPT threads

INGERSOLL RAND ARO MINI SERIES COMPONENTS AND ACCESSORIES



104263

MODULAR CLAMP KIT

One clamp kit is required to connect any two units or accessories together in the modular format. Kit includes two clamps, one O-ring, and screws. To assemble, simply put the O-ring and clamp between the units and tighten screws for a secure seal.

Part Number	Description
104263	Clamp kit (fits all port sizes)

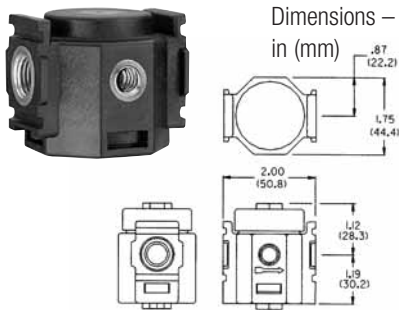


104262

T-TYPE WALL MOUNTING BRACKETS

These brackets provide easy wall mounting. They are excellent for mounting a single unit or multiple units in the modular arrangement. T-type mount gives good wall-to-unit clearance for installing fittings and other connections. Kit includes a bracket, clamp, two screws, and O-ring.

Part Number	Description
104262	T-type wall mounting bracket kit (fits all port sizes)



104254-1

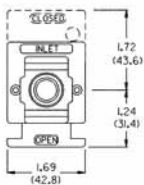
MODULAR MANIFOLD KIT

The manifold block is an excellent way to provide circuit design flexibility. The manifold has two 1/8" NPT ports which allow for clean, regulated air to be sent to signal or run other equipment. Kit includes manifold only. Order 104263 clamp kits as needed.

Part Number	Description
104254-1	1/8" Modular manifold kit
104254-2	1/4" Modular manifold kit



Dimensions – in (mm)

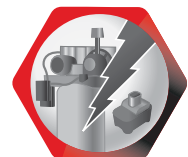


104253-1

LOCK-OUT, 3-WAY SHUT-OFF VALVE

Meets OSHA regulation 1910.147. This lock-out valve provides a safety lock-out to prevent accidental machine start-up. When slider valve is shifted into the lock-out position, inlet air is blocked and downstream air is exhausted to the atmosphere. Unit has threaded ports for plumbing directly to an air line or can be mounted in the modular arrangement. Order 104263 clamp kits as needed.

Part Number	Description
104253-1	1/8" NPT ports lock-out, 3-way shut-off valve
104253-2	1/4" NPT ports lock-out, 3-way shut-off valve

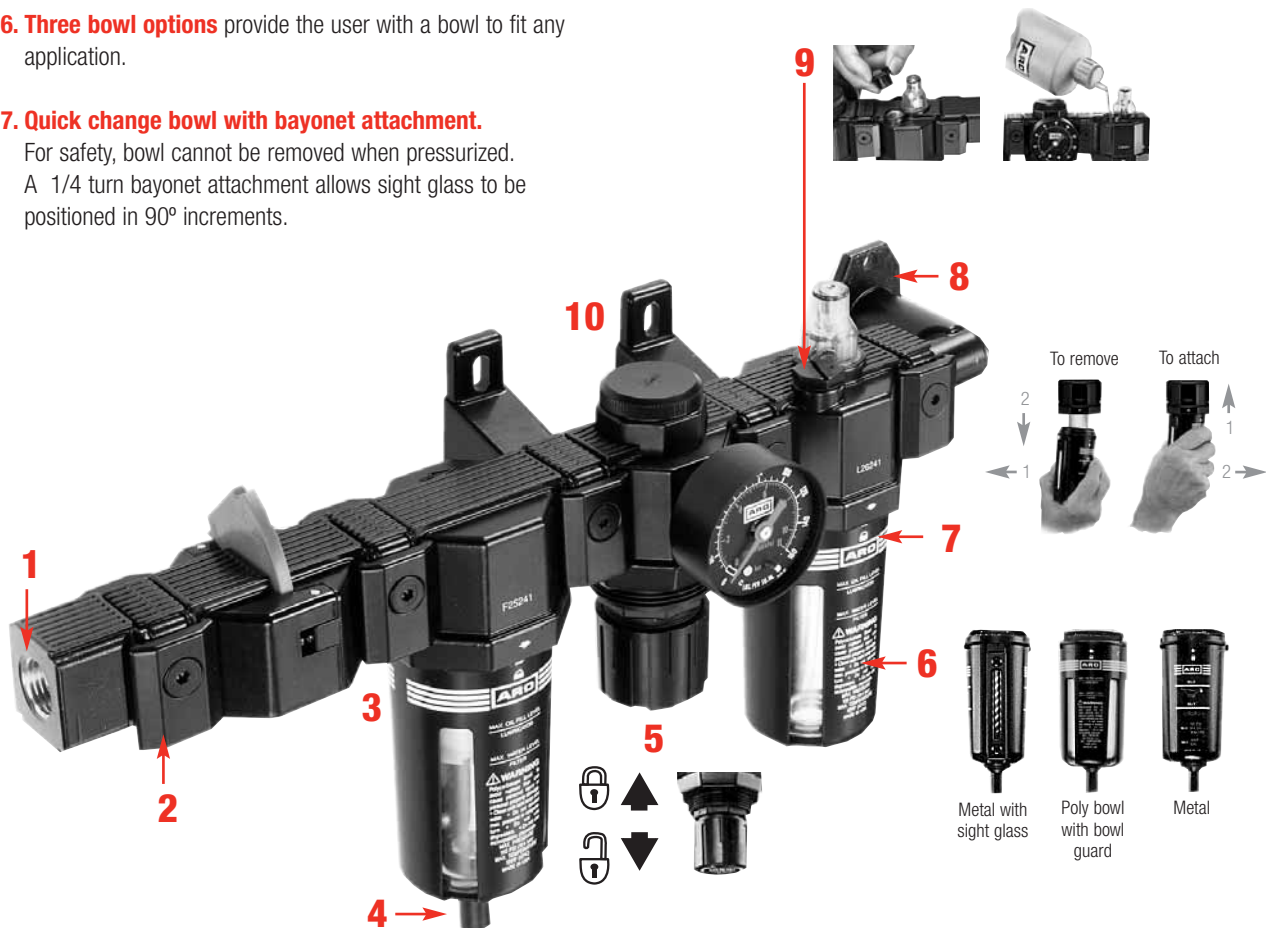


Power Supply

INGERSOLL RAND ARO® COMPACT SERIES

SERIES FEATURES

- Units have **threaded ports** in the housing which allow the user to mix pipe nipples and modular configurations to meet specific application needs.
- Modular spacer** has retained O-rings and screws to prevent loss during routine maintenance and to simplify assembly. Screws are 5/32" or 4 mm Allen head type.
- Durable black finish** with silkscreened graphics (no labels), enhances the overall look of any machine or fixture.
- Patented **double seal push drain** is easy to operate and requires no tools for service. Optional automatic drain eliminates manual draining.
- Push / pull non-rising regulator knob** allows easy one-hand adjustment. Pull down to adjust, push up to lock.
- Three bowl options** provide the user with a bowl to fit any application.
- Quick change bowl with bayonet attachment.**
For safety, bowl cannot be removed when pressurized. A 1/4 turn bayonet attachment allows sight glass to be positioned in 90° increments.
- Right angle panel bracket** provides for a cleaner installation and doubles as a mounting bracket. Flow enters from behind the panel through the panel brackets.
- Lubricator has large fill port** which can be serviced under pressure, simplifying routine maintenance. Screwdriver adjustment slot has an optional tamper-resistant cap which prevents unauthorized adjustment of oil delivery.
- T-type wall mounting bracket** provides a rugged heavy-duty wall mount with excellent wall-to-unit clearance for installing connections.



INGERSOLL RAND ARO COMPACT SERIES

SERIES FEATURES

- **Safety lock-out valve** meets OSHA regulation 1910.147 which requires protection from unexpected start-up during service or maintenance.



- Pipe adapters are available in 1/4", 3/8", 1/2", and 3/4" pipe sizes.



- **Filter / coalescing filter** provides 99.9% contaminant removal.



- Totally modular design permits removal of unit(s) from line without disturbing the hard piping. This allows for quick, easy repair and reduced downtime.



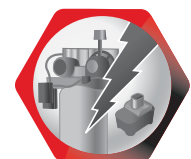
- Mount regulator up or down for increased mounting flexibility.



- Filter with optional service life indicator shows when element is clogged and needs service.

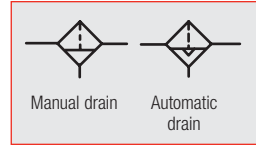


- Manifold block provides additional circuit design.



Power Supply

INGERSOLL RAND ARO COMPACT SERIES FILTERS



Ingersoll Rand ARO Compact Series Filters

1/4", 3/8", AND 1/2" PORTS

FEATURES

Ingersoll Rand ARO Compact Series filters are designed to remove any rust, scale, condensed water, and other debris that can cause wear and premature failure of air tools, valves, cylinders, air motors, and other air-driven equipment. Filter units should be installed upstream of the regulator and lubricator to protect them from contamination. These filters are ideal for OEM and MRO applications.

- Units have threaded ports for direct connection to pipe plumbing or, when used with modular port adapter kits, a single unit or combination of units can be piped into the air system in a modular arrangement.
- Rugged zinc die-cast bowl guard has large, full-length slots for easy visual checking of liquid. Other bowl options include a metal bowl with sight glass and a plain metal bowl.
- Warning and technical information is printed in English, Spanish, French, and German on standard units.
- The quick change bowl with bayonet attachment provides easy bowl removal and filter element replacement. Bayonet attachment design allows sight gauge location at 90° increments.
- Optional filter service life indicator shows when element is clogged and needs changing.
- These compact units offer a 40-micron filter element with 12 percent more filter area.
- Automatic drain has 1/8" NPT connection for drain line; 10 psig minimum operating pressure.

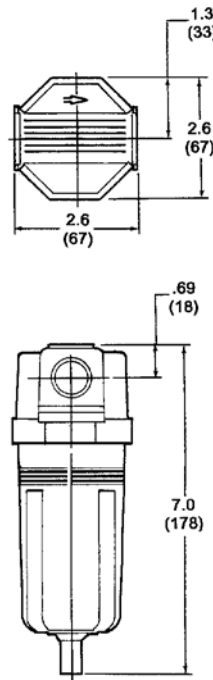
PERFORMANCE SPECIFICATIONS

Body	Zinc die-cast
Bowls	Polycarbonate or zinc die-cast
Bowl Guard	Zinc die-cast
Sight Glass	Polyimide-nylon 12
Seals	Buna-N
Drain	Brass and Buna-N
Filter Element	Porous polypropylene
Sump Capacity	2.87 oz (85 cc)
Filter Area	8.24 sq in (5318 mm ²)
Max Inlet Pressure	Polycarbonate bowl — 150 psig (10.4 bar) Metal bowl — 175 psig (12 bar)
Operating Temp Range	Polycarbonate bowl — 0° – 125° F (-18° – 52° C) Metal Bowl — 0° – 175° F (-18° – 79° C)
*Airflow	1/4" — 54 cfm (25 dm ³ /s) 3/8" — 100 cfm (47 dm ³ /s) 1/2" — 122 cfm (58 dm ³ /s)

*Airflow is at 90 psig (6.2 bar) inlet and 5 psig (0.4 bar) pressure drop.

DIMENSIONAL DATA

Dimensions – in (mm)



INGERSOLL RAND ARO COMPACT SERIES FILTERS


ORDERING

From the chart below, select the model number associated with the port size, bowl, and drain option required. If other options are needed, use the menu at the bottom.

Port Size NPT in	Airflow cfm (dm ³ /s)	Model	Bowl Size oz (ml)	Filter Element micron	Weight lb (kg)
Flex Drain — Metal Bowl with Sight Glass					
1/4"	54 (25)	F25221-110	6.0 (177)	40	1.48 (.68)
3/8"	100 (47)	F25231-110	6.0 (177)	40	1.46 (.66)
1/2"	122 (58)	F25241-110	6.0 (177)	40	1.43 (.65)
Flex Drain — Polycarbonate Bowl with Bowl Guard					
1/4"	54 (25)	F25221-100	6.0 (177)	40	1.48 (.68)
3/8"	100 (47)	F25231-100	6.0 (177)	40	1.46 (.66)
1/2"	122 (58)	F25241-100	6.0 (177)	40	1.43 (.65)
Automatic Drain — Metal Bowl with Sight Glass					
1/4"	54 (25)	F25221-111	6.0 (177)	40	1.48 (.68)
3/8"	100 (47)	F25231-111	6.0 (177)	40	1.46 (.66)
1/2"	122 (58)	F25241-111	6.0 (177)	40	1.43 (.65)
Automatic Drain — Polycarbonate Bowl with Bowl Guard					
1/4"	54 (25)	F25221-101	6.0 (177)	40	1.48 (.68)
3/8"	100 (47)	F25231-101	6.0 (177)	40	1.46 (.66)
1/2"	122 (58)	F25241-101	6.0 (177)	40	1.43 (.65)

ADDITIONAL MODELS AVAILABLE

Select the basic model number associated with the port size desired. From the table below, select the numbers representing the filter options required. For BSP threads, add -B to end of model number.

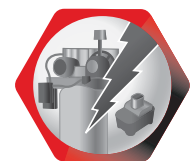
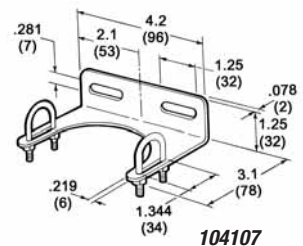
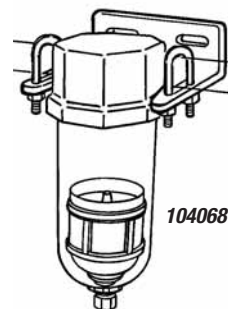
PORT SIZE	BASE MODEL	
1/4"	F2522 X - X X X	 Red area indicates best-selling models
3/8"	F2523 X - X X X	
1/2"	F2524 X - X X X	

Filter Service Indicator	Filter Element	Bowl Option	Drain Option
1 = None	1 = 40 micron #100031-1	0 = Polycarbonate with guard	0 = Manual push drain
2 = Mechanical	3 = Coalescing #100032	1 = Metal with sight glass	1 = Automatic drain
	4 = 5 micron #100031-3	2 = Metal	

Part Number	Description
Filter Accessories	
104068	Automatic drain for filter bowl
104107	Mounting bracket for use with pipe nipples
104149	Push drain kit for filter bowl
104176	Filter service kit (includes O-ring and manual drain)
104182	Sight glass service kit (includes 2 O-rings and sight glass)
100031-1	40 micron filter element
100031-2	20 micron filter element
100031-3	5 micron filter element
100032	Coalescing filter element
104202	Polycarbonate bowl with guard
104204	Metal bowl with sight glass
104206	Metal bowl
104248	Activated charcoal element

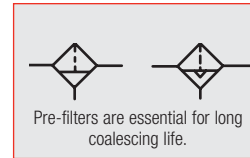
ACCESSORY DIMENSIONAL DATA

Dimensions – in (mm)



Power Supply

INGERSOLL RAND ARO COMPACT SERIES COALESCING FILTERS



Ingersoll Rand ARO Compact Series Coalescing Filters

1/4", 3/8", AND 1/2" PORTS

PRODUCT FEATURES

These high efficiency filters are designed for paint spraying, instrumentation controls, and other compressed air applications where the delivered air must be free of oil and fine particles. These filters are ideal for OEM and MRO applications.

- One-piece coalescing filter element removes 99.9 percent of oil aerosols and particles down to .3 micron.
- Units have threaded ports for direct connection to pipe plumbing.
- Warning and technical information is printed in English, Spanish, French, and German on standard units.
- Bayonet bowl attachment provides easy bowl removal and filter element replacement.
- Optional filter service life indicator shows when element needs changing.

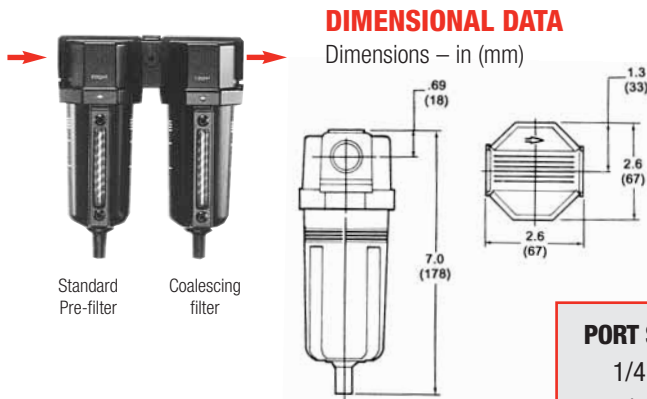
ORDERING

From the chart, select the model number associated with the port size, and bowl, and drain option required. If other options are needed, use the menu below.

Performance specifications (excluding Airflow), dimensions, and accessories are the same as standard filters.

RECOMMENDED INSTALLATION

Use in conjunction with an upstream filter. Filter units should be installed upstream of the regulator or lubricator to protect them from contamination.



Port Size NPT	Airflow cfm (dm³/s)	Model	Bowl Size oz (ml)	Weight lb (kg)
Push Drain — Metal Bowl with Sight Glass				
1/4"	40 (17)	F25221-310	6.0 (177)	1.48 (.68)
3/8"	51 (24)	F25231-310	6.0 (177)	1.46 (.66)
1/2"	53 (25)	F25241-310	6.0 (177)	1.43 (.65)
Flex Drain — Polycarbonate Bowl with Bowl Guard				
1/4"	40 (17)	F25221-300	6.0 (177)	1.48 (.68)
3/8"	51 (24)	F25231-300	6.0 (177)	1.46 (.66)
1/2"	53 (25)	F25241-300	6.0 (177)	1.43 (.65)
Automatic Drain — Metal Bowl with Sight Glass				
1/4"	54 (25)	F25221-311	6.0 (177)	1.48 (.68)
3/8"	100 (47)	F25231-311	6.0 (177)	1.46 (.66)
1/2"	122 (58)	F25241-311	6.0 (177)	1.43 (.65)
Automatic Drain — Polycarbonate Bowl with Bowl Guard				
1/4"	54 (25)	F25221-301	6.0 (177)	1.48 (.68)
3/8"	100 (47)	F25231-301	6.0 (177)	1.46 (.66)
1/2"	122 (58)	F25241-301	6.0 (177)	1.43 (.65)

ADDITIONAL MODELS AVAILABLE

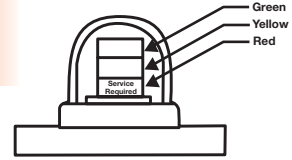
Select the basic model number associated with the port size desired. From the table at the right, select the number representing the filter options required. For BSP threads, add -B to the end of model number.

NOTE: Not all menu combinations are valid. See price book to verify.

PORT SIZE	BASE MODEL	Filter Service Indicator	Bowl Option	Drain Option
1/4"	F2522	X	- 3	X X
3/8"	F2523	X	- 3	X X
1/2"	F2524	X	- 3	X X

Filter Service Indicator	Bowl Option	Drain Option
1 = None	0 = Polycarbonate with guard	0 = Manual push drain
2 = With service indicator	1 = Metal with sight glass	1 = Automatic drain
	2 = Metal	

INGERSOLL RAND ARO COMPACT SERIES FILTERS WITH SERVICE INDICATORS



1/4", 3/8" AND 1/2" PORTS

PRODUCT FEATURES

Units equipped with the Filter Service Indicator are designed to indicate when the filter element is clogged and needs to be serviced. The highly visible rising collar can be seen from any angle. Pressure is monitored at two different points in a system (inlet and outlet) and acts on opposite sides of a diaphragm sensor. A change in pressure causes the collar to rise, indicating the element is clogged.

- Pop-up, three-color indicator provides visual monitoring of filter element efficiency.
- Service life indicator changes from green to red when element is clogged and needs changing.
- The rising collar is visible from 360 degrees.



Flex Drain — Polycarbonate bowl with bowl guard
F25242-300

ORDERING

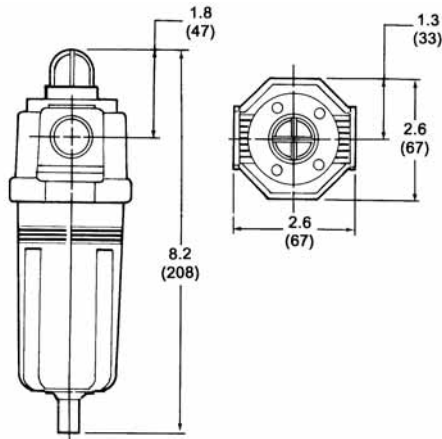
From the chart, select the model number associated with the port size, bowl, and drain option required. Specifications, options, and accessories are the same as standard filters.

Port Size NPT	Airflow cfm (dm ³ /s)	Model Cap with Standard Element	Airflow cfm (dm ³ /s)	Model Cap with Coalescing Element
Push Drain — Metal Bowl with Sight Glass				
1/4"	54 (25)	F25222-110	40 (17)	F25222-310
3/8"	100 (47)	F25232-110	51 (24)	F25232-310
1/2"	122 (58)	F25242-110	53 (25)	F25242-310
Flex Drain — Polycarbonate Bowl with Bowl Guard				
1/4"	54 (25)	F25222-100	40 (17)	F25222-300
3/8"	100 (47)	F25232-100	51 (24)	F25232-300
1/2"	122 (58)	F25242-100	53 (25)	F25242-300

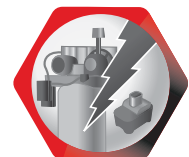
NOTE: All model combinations are listed.

DIMENSIONAL DATA

Dimensions – in (mm)



Part Number	Description
Coalescing Filter Accessories	
104068	Automatic drain for filter bowl
104107	Mounting bracket for use with pipe nipples
104149	Push drain kit for filter bowl
104176	Filter service kit (includes O-ring and manual drain)
104182	Sight glass service kit (includes 2 O-rings and sight glass)
100032	Coalescing filter element
104202	Polycarbonate bowl with guard
104204	Metal bowl with sight glass
104206	Metal bowl



Power Supply

INGERSOLL RAND ARO COMPACT SERIES REGULATORS



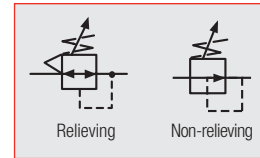
Ingersoll Rand ARO Compact Regulators
R27241-600

1/4", 3/8", AND 1/2" PORTS

FEATURES

Ingersoll Rand ARO Compact Series regulators are designed to provide quick response and accurate pressure regulation over a wide range of applications. Two gauge ports allow for more versatility in mounting and usage of the unit. Three spring options allow for spring changes, instead of entire regulator changes, to meet most air pressure application requirements.

- Units have threaded ports for direct connection to pipe plumbing or, when used with modular port adapter kits, a single unit or combination of units can be piped into the air system in a modular arrangement.
- Push / pull, non-rising knob allows one-hand adjustment. Pull to adjust, push to lock. Arrows on the knob indicate direction of pressure increase / decrease.
- Regulator can be mounted either up or down, increasing user flexibility.
- Balanced valve-type diaphragm regulation assures positive pressure adjustment and rapid response to inlet pressure changes.
- Regulator offers in-line reparability. Valve and diaphragm can be replaced without removing unit from line.
- Regulator can be panel-mounted up to 1/4" thickness. Hole diameter is 1-7/8".
- Buna-N diaphragm and seals provide excellent elasticity and longer life.
- A tamper-resistant clamp is available. Units can be preset and locked to specific requirements.
- Order regulator with or without gauge.



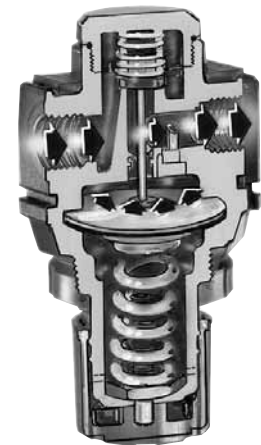
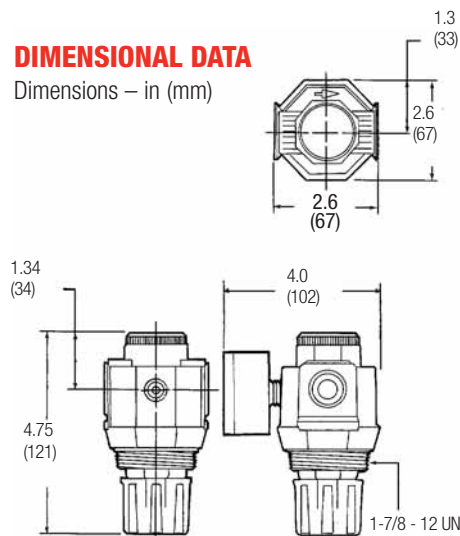
PERFORMANCE SPECIFICATIONS

Body	Zinc die-cast
Seals	Buna-N
Diaphragm	Buna-N
Valve	Brass
Spring Housing	Glass-filled nylon
Cap and Knob	High impact ABS
Max Inlet Pressure	200 psig (13.8 bar)
Pressure Range	0 – 200 psig (0 – 13.8 bar)
In Regulator	
Operating Temp Range	0° – 180° F (-18° – 82° C)
Gauge Port	1/4" NPT
*Airflow	1/4" — 100 cfm (47 dm ³ /s) 3/8" — 130 cfm (61 dm ³ /s) 1/2" — 150 cfm (71 dm ³ /s)

*Airflow is at 100 psig (6.9 bar) inlet and 90 psig (6.2 bar) outlet.

DIMENSIONAL DATA

Dimensions – in (mm)



CAUTION: Outlet pressure adjustment ranges are not minimum or maximum outlet pressure limits. Regulators can be adjusted to zero psig secondary pressure and, generally, to pressures in excess of those specified. The use of these regulators to control pressures outside of the specified ranges is not recommended.

INGERSOLL RAND ARO COMPACT SERIES REGULATORS

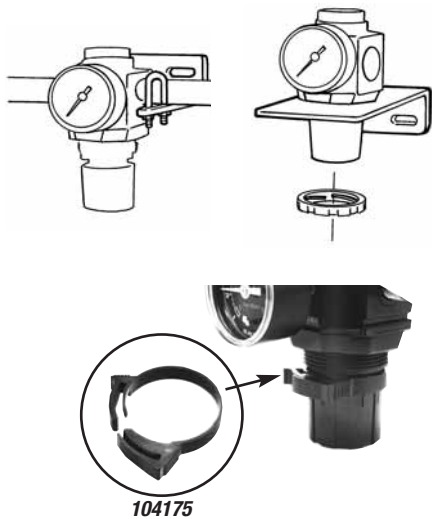
ORDERING

From the chart below, select the model number associated with port size, bowl, and drain option required. If other options are needed, use menu at bottom.

ADDITIONAL MODELS AVAILABLE

Select the basic model number associated with the port size desired. From the table to the right, select the numbers representing the regulator options required. For BSP threads, add -B to end of model number.

Port Size NPT	Airflow cfm (dm ³ /s)	Model Spring Range		Weight lb (kg)
		0 – 50 psig (0 – 3.5 bar)	5 – 125 psig (.4 – 8.6 bar)	
Relieving-type without Gauge				
1/4"	100 (47)	R27221-200	R27221-100	1.38 (.36)
3/8"	130 (61)	R27231-200	R27231-100	1.34 (.61)
1/2"	150 (71)	R27241-200	R27241-100	1.30 (.59)
Relieving-type with Gauge				
1/4"	100 (47)	R27221-700	R27221-600	1.38 (.36)
3/8"	130 (61)	R27231-700	R27231-600	1.34 (.61)
1/2"	150 (71)	R27241-700	R27241-600	1.30 (.59)



PORT SIZE

BASE MODEL

1/4"	R27221	-	X	X	X
3/8"	R27231	-	X	X	X
1/2"	R27241	-	X	X	X

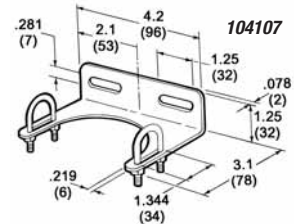
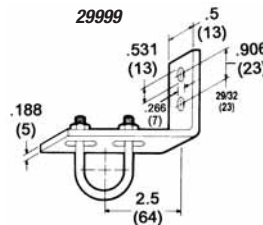
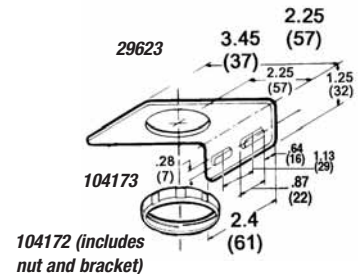
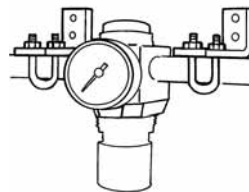
Red area indicates best-selling models

Pressure psig (bar)	Relieving Option	Control Option
1 = 5 – 125 (.4 – 8.6) no gauge	0 = Relieving	0 = Standard knob
2 = 0 – 50 (0 – 3.5) no gauge	2 = Non-relieving	
3 = 10 – 200 (.7 – 13.8) no gauge		
6 = 5 – 125 (.4 – 8.6) with 0 – 160 lb gauge (#100067)		
7 = 0 – 50 (0 – 3.5) with 0 – 60 lb gauge (#100066)		
8 = 10 – 200 (.7 – 13.8) with 0 – 300 lb gauge (#100083)		

Notes: Not all menu combinations are valid. See price book to verify.

DIMENSIONAL DATA

Dimensions – in (mm)

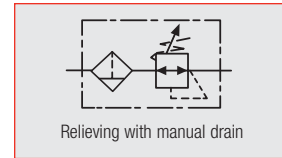


Part Number	Description
Regulator Accessories	
100066	Gauge 0 – 60 psig
100067	Gauge 0 – 160 psig
100083	Gauge 0 – 300 psig
104107	Mounting bracket
104172	Wall mounting kit (includes panel nut & bracket)
104173	Panel mount nut
104175	Tamper-resistant kit
104177	Service kit, relieving type
104178	Service kit, non-relieving type
104209	Knob repair kit
29594	Spring, 5 – 125 lb (gold)
29595	Spring, 0 – 50 lb (green)
29596	Spring, 10 – 200 lb (silver)
29623	Wall mounting bracket
29999	U-bolt mounting bracket



Power Supply

INGERSOLL RAND ARO COMPACT SERIES FILTER / REGULATOR PIGGYBACK



**Ingersoll Rand ARO Compact Series
Filter / Regulator Piggyback**

P29221-600

1/4", 3/8", AND 1/2" PORTS

FEATURES

Ingersoll Rand ARO Compact Series piggyback units are compact to save space, giving more design flexibility. The filter and regulator have a common inlet and a common outlet. This saves on space, set-up time, and piping costs.

- Units have threaded ports for direct connection to pipe plumbing or, when used with modular port adapter kits, a single unit or combination of units can be piped into the air system in a modular arrangement.
- Push / pull, non-rising knob allows one-hand adjustment. Pull to adjust, push to lock. Arrows on the knob indicate pressure increase and decrease.
- Balanced valve-type diaphragm regulation assures positive pressure adjustment and rapid response to inlet pressure changes.
- Regulator offers in-line reparability. Valve and diaphragm can be replaced without removing unit from line.
- Bayonet bowl attachment provides easy filter element removal.
- Inlet / outlet is stamped into housing for easy air line hookup.
- Automatic drain has 1/8" NPT connection for draining away contaminants.
- 10 psig minimum operating pressure.

NOTE: See cautions on the use of polycarbonate bowls.

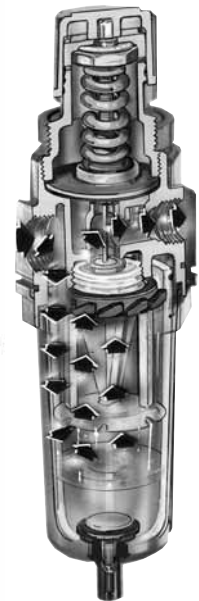
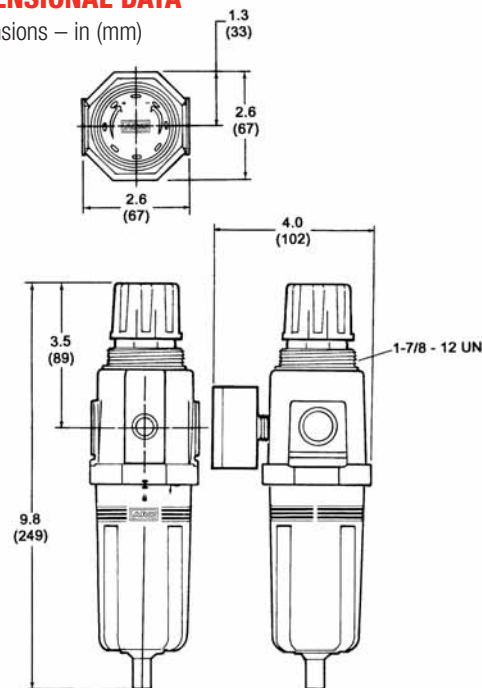
PERFORMANCE SPECIFICATIONS

Body	Zinc die-cast
Bowls	Polycarbonate or zinc die-cast
Bowl Guard	Zinc die-cast
Sight Glass	Polyamide-nylon 12
Seals	Buna-N
Drain	Brass and Buna-N
Filter Element	Porous polypropylene
Diaphragm	Buna-N
Valve	Brass
Spring Housing	Glass-filled nylon
Max Inlet Pressure	Polycarbonate bowl — 150 psig (10.4 bar) Metal bowl — 175 psig (12 bar)
Operating Temp Range	Polycarbonate bowl — 0° – 125° F (-18° – 52°C) Metal bowl — 0° – 175° F (-18° – 79° C)
Gauge Port	1/4" NPT
*Airflow	1/4" — 93 cfm (44 dm ³ /s) 3/8" — 135 cfm (64 dm ³ /s) 1/2" — 140 cfm (66 dm ³ /s)

**Airflow is at 100 psig (6.9 bar) inlet and 90 psig (6.2 bar) outlet.*

DIMENSIONAL DATA

Dimensions – in (mm)



CAUTION: Outlet pressure adjustment ranges are not minimum or maximum outlet pressure limits. Regulators can be adjusted to zero psig secondary pressure and, generally, to pressures in excess of those specified. The use of these regulators to control pressures outside of the specified ranges is not recommended.

INGERSOLL RAND ARO COMPACT SERIES FILTER / REGULATOR PIGGYBACKS


ORDERING

From the chart to the right, select the model number associated with port size, bowl, and drain option required. If other options are needed, use menu below.

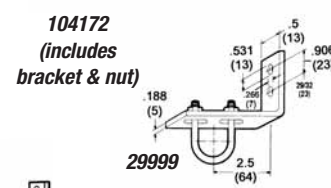
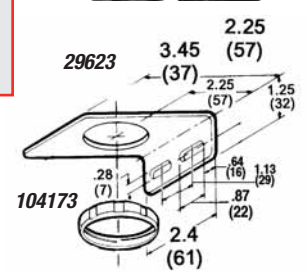
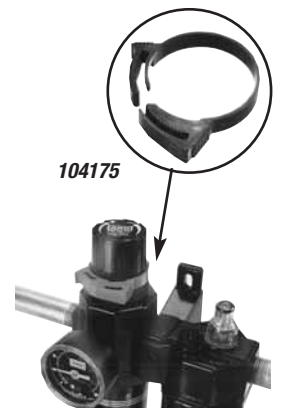
ADDITIONAL MODELS AVAILABLE

Select the basic model number associated with the port size desired. From the table, select the numbers representing the regulator options required. For BSP threads, add -B to the end of the model number.

Port Size NPT	Airflow cfm (dm ³ /s)	Model		Bowl Size oz (ml)	Filter Element (micron)	Weight lb (kg)
		without Gauge	with Gauge			
Push Drain — Metal Bowl with Sight Glass						
1/4"	93 (44)	P29221-110	P29221-610	6.0 (177)	40	2.05 (.93)
3/8"	135 (64)	P29231-110	P29231-610	6.0 (177)	40	2.03 (.92)
1/2"	140 (66)	P29241-110	P29241-610	6.0 (177)	40	2.00 (.91)
Push Drain — Polycarbonate Bowl with Bowl Guard						
1/4"	93 (44)	P29221-100	P29221-600	6.0 (177)	40	2.05 (.93)
3/8"	135 (64)	P29231-100	P29231-600	6.0 (177)	40	2.03 (.92)
1/2"	140 (66)	P29241-100	P29241-600	6.0 (177)	40	2.00 (.91)
Automatic Drain — Metal Bowl with Sight Glass						
1/4"	93 (44)	P29221-114	P29221-614	6.0 (177)	40	2.05 (.93)
3/8"	135 (64)	P29231-114	P29231-614	6.0 (177)	40	2.03 (.92)
1/2"	140 (66)	P29241-114	P29241-614	6.0 (177)	40	2.00 (.91)
Automatic Drain — Polycarbonate Bowl with Bowl Guard						
1/4"	93 (44)	P29221-104	P29221-604	6.0 (177)	40	2.05 (.93)
3/8"	135 (64)	P29231-104	P29231-604	6.0 (177)	40	2.03 (.92)
1/2"	140 (66)	P29241-104	P29241-604	6.0 (177)	40	2.00 (.91)

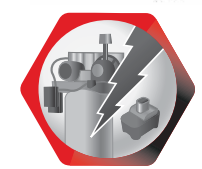
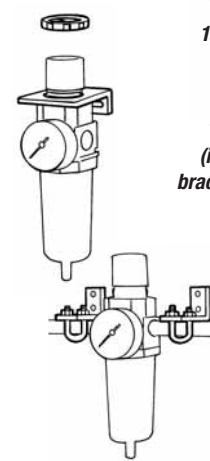
PORT SIZE	BASE MODEL	
1/4"	P2922 X - X X X	 Red area indicates best-selling models
3/8"	P2923 X - X X X	
1/2"	P2924 X - X X X	

Filter Element	Pressure Range psig (bar)	Relieving / Bowl Option	Control Option / Drain
1 = 40 micron	1 = 5 - 125 (.4-8.6) No gauge	0 = Relieving / poly with guard	0 = Standard knob / manual
4 = 5 micron	2 = 0 - 50 (0 - 3.5) No gauge	1 = Relieving / metal with sight glass	4 = Standard / auto drain
	3 = 10 - 175 (.7 - 12.1) No gauge	2 = Relieving / metal	
	6 = 5 - 125 (.4 - 8.6) with gauge		
	7 = 0 - 50 (0 - 3.5) with gauge		
	8 = 10 - 175 (.7 - 12.1) with gauge		



Part Number	Description
Piggyback Accessories	
100066	Gauge 0 - 60 psig
100067	Gauge 0 - 160 psig
100083	Gauge 0 - 300 psig
104107	Mounting bracket
104149	Push drain kit
104172	Wall mounting kit (includes panel nut & bracket)
104173	Panel mount nut
104175	Tamper-resistant kit
104179	Service kit, relieving type
104180	Service kit, non-relieving type

Part Number	Description
Piggyback Accessories	
104182	Sight glass service kit
104202	Polycarbonate bowl with guard
104204	Metal bowl with sight glass
104206	Metal bowl
29594	Spring, 5 - 125 lb (gold)
29595	Spring, 0 - 50 lb (green)
29596	Spring, 10 - 200 lb (silver)
29623	Mounting bracket
29999	U-bolt mounting bracket
104068	Automatic drain
104209	Knob repair kit



Power Supply

INGERSOLL RAND ARO COMPACT SERIES PRECISION AIR REGULATORS



*Ingersoll Rand ARO Compact Series
Precision Air Regulators*

APPLICATIONS

- Air gauging
- Gas mixing
- Web tensioning
- Roll loading
- Air hoists

PERFORMANCE SPECIFICATIONS

Body	Zinc die-cast
Diaphragm	Buna-N
Metering Capsule	Stainless steel
Knob	Phenolic plastic
Flow Capacity	14 cfm (25 m ³ /hr)
Exhaust Capacity	Up to 10 cfm
Sensitivity	.125" (3.2 mm) water column
Total Air Consumption	6 scfh (.17 m ³ /hr)
Pilot Bleed Rate	0.08 cfm (0.15 m ³ /hr)
Supply Pressure Variation	Less than .005 psig (.03 kPa) @ 25 psig variance
Max Supply Pressure	150 psig (1050 kPa) A filter with 5 micron element should be installed ahead of unit
Operating Temp Range	20° – 150° F (-7° – 66° C)

1/4" AND 3/8" PORTS

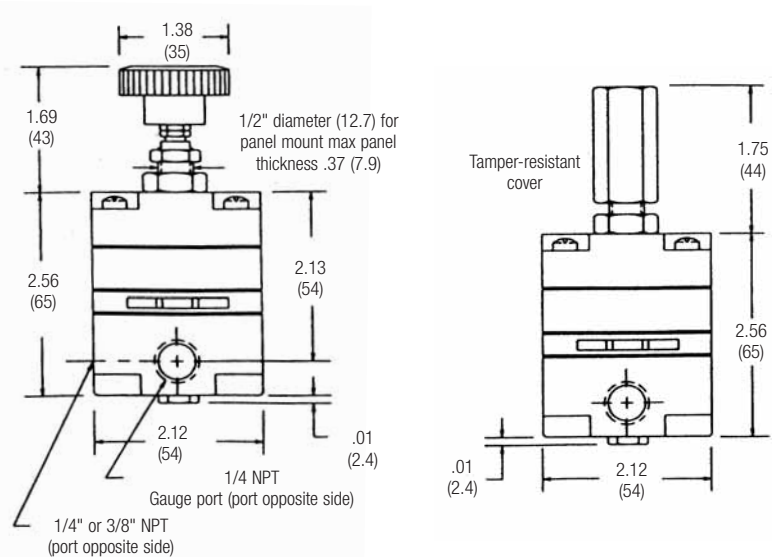
FEATURES

Precision Air Regulators are high precision, multi-stage pressure regulators. The highest degree of regulation and repeatability are achievable by reacting to downstream pressure fluctuations as small as 0.01 psig (0.07 kPa) above set pressure. Action occurs as downstream pressure is piloted to the control chamber to act on a finely tuned stainless-steel measuring capsule. A continuous bleed of less than 0.08 cfm (0.15 m³/hr) works on the pilot diaphragm causing appropriate movement of the supply valve or the relief valve. Movements as small as 0.0001" (.0025 mm) will cause the main valve to correct to the proper position. Relief flows of up to 10 cfm can be achieved on the high relief model (-100 models). Exhaust is achieved through the exhaust vents located in the side of the body.

- The Precision Air Regulator controls output pressure with an accuracy of 0.1%, and has very low sensitivity to changes in supply pressure and flow.
- This regulator has been designed to eliminate the need for any readjustment of the regulated pressure after long downtime. At start-up, the regulated pressure will return to its output setting.
- The regulated pressure is held constant over substantial changes in flow due to the high-gain pneumatic servoamplifier. Particularly good from dead end to 203.4 m³/hr (12 cfm).
- The unit may be installed in any position. It can be panel mounted or supported by in-line plumbing.

DIMENSIONAL DATA

Dimensions – in (mm)



INGERSOLL RAND ARO COMPACT SERIES PRECISION AIR REGULATORS

ORDERING

From the chart to the right, select the model number associated with port size, bowl, and drain option required. If other options are needed, use menu below.

Port Size NPT in	Airflow 2 – 120 psig (.4 – 8.6 bar)	Model Spring Range		Weight lb (kg)
		2 – 60 psig (.4 – 4.1 bar)	2 – 25 psig (.4 – 1.7 bar)	
1/4"	PR4021-100	PR4021-200	PR4021-300	1.4 (.64)
3/8"	PR4031-100	PR4031-200	PR4031-300	1.4 (.64)

ADDITIONAL MODELS AVAILABLE

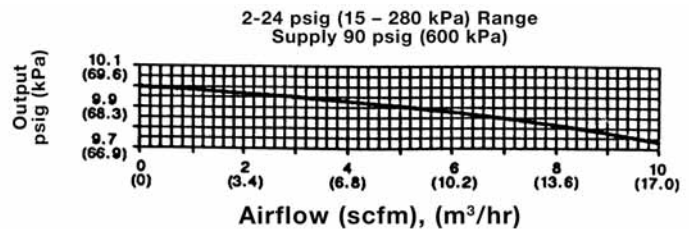
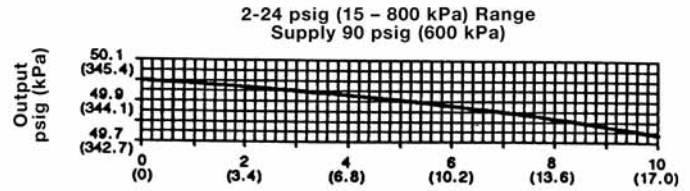
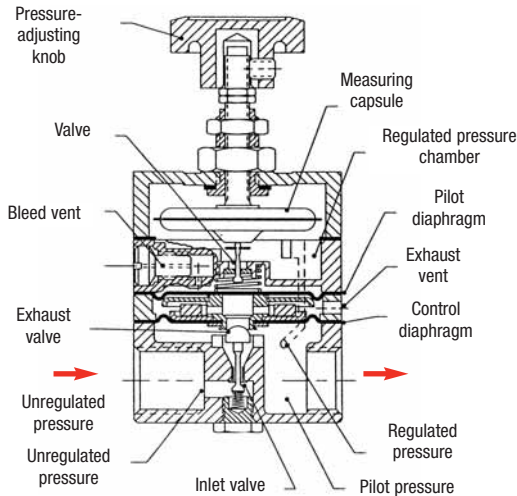
Select the basic model number associated with the port size desired. From the table, select the numbers representing the regulator options required. For BSP threads, add -B to the end of the model number.

ADDITIONAL MODELS AVAILABLE

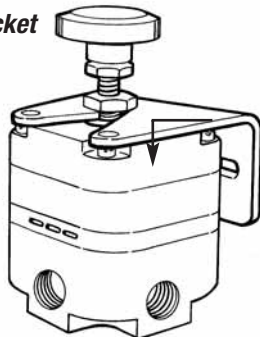
PORT SIZE	BASE MODEL			
1/4"	PR4021	-	X	X
3/8"	PR4031	-	X	X

Pressure Range psig (bar)	Relieving Option	Control Option
1 = 2 – 120 (.1 – 8.3) No gauge	0 = Relieving	0 = Standard knob
2 = 2 – 60 (.1 – 4.1) No gauge		3 = Tamper-resistant cover
3 = 2 – 25 (.1 – 1.7) No gauge		

AIRFLOW CHARACTERISTICS



Wall Mount Bracket



29077

Part Number	Description
Precision Air Regulators Accessories	
29077	Wall mount bracket
Service Kits	
100207-1	2 – 25 lb or 2 – 60 lb spring range
100207-2	2 – 120 lb spring range



Power Supply

INGERSOLL RAND ARO COMPACT SERIES STAINLESS STEEL PRECISION REGULATORS AND FILTER / REGULATORS

Regulator



1/4" AND 3/8" PORTS

FEATURES

- Stainless-steel construction is ideal for corrosive environments and sour gas.
- Excellent repeatability.
- Tapped vent for exhaust gas capture.
- Once set to a desired pressure, the ARO 316 stainless steel regulator will permanently maintain its settings through the use of a convoluted diaphragm. This diaphragm provides constant adjustment to downstream pressure drop, and downstream pressure increase.
- 1/4" and 3/8" NPT.
- Panel-mount nut is standard.

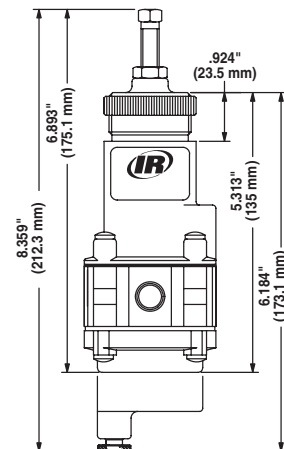
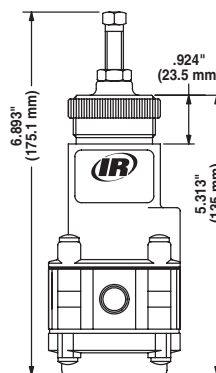
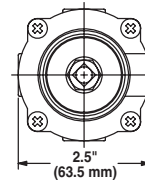
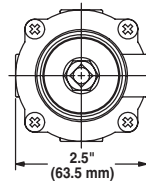
Filter / Regulator



The Precision Regulator line is designed for service with a wide variety of corrosive gases and environments. Its corrosive-resistant materials are compatible with sour gas and for use in offshore environments. Applications include petrochemical processing, chemical plants, food processing and packaging, and paper / pulp mills. The regulator operates in pressure ranges up to 150 psig (10.3 bar). The filter on the filter / regulator unit has a built-in dripwell which traps water, oil, and other contaminants. The contaminants are easily flushed out via a convenient manual drain. The 5-micron filter element is made of 316 stainless steel and is easily removed for cleaning.

DIMENSIONAL DATA

Dimensions – in (mm)



Regulator

Filter / Regulator

PERFORMANCE SPECIFICATIONS

Body	316 Stainless steel
Seals	Fluorocarbon
Filter Elements	5 Micron (for use with PFRSX1-X00 units only)
Temp Range	-20° – 180° F (-29° – 82° C)
Max Pressure	250 psig (17.2 bar)
Media	Compressed air
Gauge Ports	1/4" – 18" NPTF Airflow @ 100 psig (6.9 bar) Supply 20 psig (1.4 bar) Outlet 20 cfm (566 L/min)

INGERSOLL RAND ARO COMPACT SERIES STAINLESS STEEL PRECISION REGULATORS AND FILTER / REGULATORS

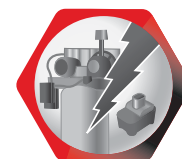
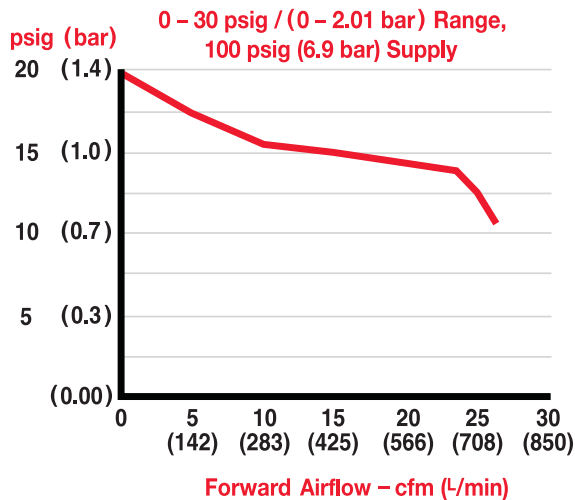
ORDERING

From the chart to the right, select the model number associated with port size, bowl, and drain option required.

Model	Description	Pressure Range
PRSS21-200	1/4" NPT Regulator	0 – 60 psig
PRSS21-400	1/4" NPT Regulator	0 – 30 psig
PRSS21-500	1/4" NPT Regulator	0 – 100 psig
PRSS21-600	1/4" NPT Regulator	2 – 150 psig
PRSS31-200	3/8" NPT Regulator	0 – 60 psig
PRSS31-400	3/8" NPT Regulator	0 – 30 psig
PRSS31-500	3/8" NPT Regulator	0 – 100 psig
PRSS31-600	3/8" NPT Regulator	2 – 150 psig
PFRS21-200	1/4" NPT Filter / Regulator	0 – 60 psig
PFRS21-400	1/4" NPT Filter / Regulator	0 – 30 psig
PFRS21-500	1/4" NPT Filter / Regulator	0 – 100 psig
PFRS21-600	1/4" NPT Filter / Regulator	2 – 150 psig
PFRS31-200	3/8" NPT Filter / Regulator	0 – 60 psig
PFRS31-400	3/8" NPT Filter / Regulator	0 – 30 psig
PFRS31-500	3/8" NPT Filter / Regulator	0 – 100 psig
PFRS31-600	3/8" NPT Filter / Regulator	2 – 150 psig

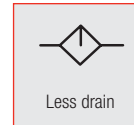
Part Number	Description
Stainless Steel Precision Accessories	
104267	316 stainless steel mounting bracket
104268	5 micron filter element
104269	40 micron filter element

Regulated Pressure vs. Airflow



Power Supply

INGERSOLL RAND ARO COMPACT SERIES LUBRICATORS



**Ingersoll Rand ARO Compact Series
Lubricators**
L26241-100

1/4", 3/8", AND 1/2" PORTS

FEATURES

Ingersoll Rand ARO Compact Series oil-fog lubricators feature an adjustment needle on top of the transparent sight dome. The adjustment needle features finer threads and improved tolerances between the needle and seat. Lubricator drip rate adjustment is easier to set. The required amount of lubrication can be efficiently delivered for longer life of tools, cylinders, valves, pumps, air motors, and other air-operated equipment.

- Lubricator can be filled while under pressure. This helps avoid system pressure shut-down and the resulting downtime.
- The oil adjustment screw has an optional tamper-resistant cap which helps prevent unauthorized adjustment of oil.
- Increase / decrease markings on castings show direction to turn adjustment screw for easy oil drip set-up.
- Warning and technical information is printed in English, Spanish, French, and German on standard units.
- Bayonet bowl attachment provides easy removal.
- Units have threaded ports for direct connection to pipe plumbing. Or, when used with modular port adapter kits, a single unit, or combination of units can be piped into the air system in a modular arrangement.

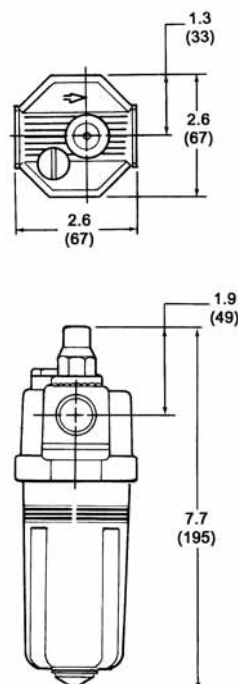
PERFORMANCE SPECIFICATIONS

Body	Zinc die-cast
Bowls	Polycarbonate or zinc die-cast
Bowl Guard	Zinc die-cast
Sight Glass	Polyamide-nylon 12
Seals	Buna-N
Sight Dome	Polycarbonate
Oil Capacity	6 oz (177 ml)
Max Inlet Pressure	Polycarbonate bowl — 150 psig (10.4 bar) Metal bowl — 175 psig (12 bar)
Operating Temp Range	Polycarbonate bowl — 0° – 125°F (-18° – 52° C) Metal bowl — 0° – 175° F (-18° – 79° C)
Airflow:	1/4" — 75 cfm (35 dm ³ /s) 3/8" — 100 cfm (47 dm ³ /s) 1/2" — 110 cfm (52 dm ³ /s)

*Airflow is at 90 psig (6.2 bar) inlet and 10 psig (0.7 bar) pressure drop.

DIMENSIONAL DATA

Dimensions – in (mm)



INGERSOLL RAND ARO COMPACT SERIES LUBRICATORS

ORDERING

From the chart to the right, select the model number associated with the port size and bowl option required. If other options are preferred, use the menu below.

Port Size NPT	Airflow cfm (dm ³ /s)	Model	Bowl Size oz (ml)	Weight lb (kg)
Metal Bowl with Sight Glass				
1/4"	75 (35)	L26221-110	6.0 (177)	1.50 (.68)
3/8"	100 (47)	L26231-110	6.0 (177)	1.44 (.65)
1/2"	110 (52)	L26241-110	6.0 (177)	1.36 (.62)
Polycarbonate Bowl with Bowl Guard				
1/4"	75 (35)	L26221-100	6.0 (177)	1.50 (.68)
3/8"	100 (47)	L26231-100	6.0 (177)	1.44 (.65)
1/2"	110 (52)	L26241-100	6.0 (177)	1.36 (.62)

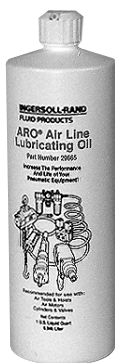
ADDITIONAL MODELS AVAILABLE

Select the basic model number associated with the port size desired. From the table, select the numbers representing the lubricator options required. For BSP threads, add -B to the end of the model number.

PORT SIZE	BASE MODEL			
1/4"	L26221	-	X	X
3/8"	L26231	-	X	X
1/2"	L26241	-	X	X

Red area indicates best-selling models

Adjustment Option	Bowl Option	Fill Option
1 = Standard	0 = Polycarbonate with guard 1 = Metal with sight glass 2 = Metal	0 = Standard



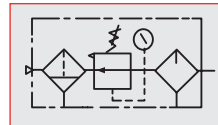
29665

Part Number	Description
Lubricator Accessories	
104027	Tamper-resistant plug
104107	Mounting bracket
104181	Service kit
104182	Sight glass service kit
104203	Polycarbonate bowl with guard
104205	Metal bowl with sight glass
104207	Metal bowl
104226	Sight dome service kit
29665	Lubrication (1 qt)



Power Supply

INGERSOLL RAND ARO COMPACT SERIES COMBINATION UNITS



C28241-800 (modular)
Ingersoll Rand ARO Compact Series Combination Units

1/4", 3/8", AND 1/2" PORTS

ORDERING

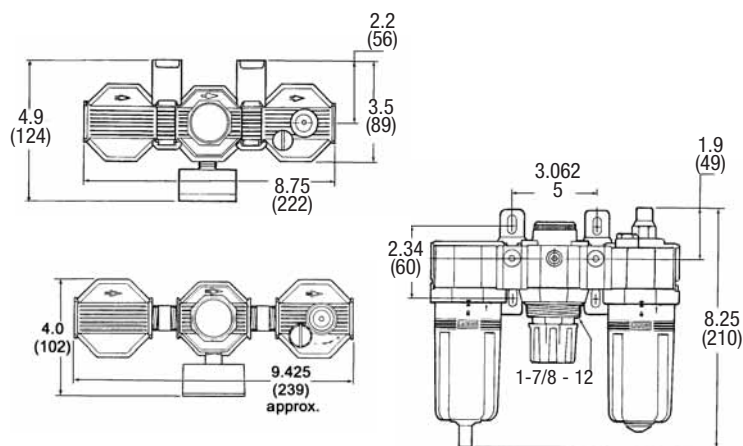
Select the basic model number that represents the port size and bowl option required. Modular models listed include gauge and "T" brackets, and are shipped assembled. Pipe-nippled models include gauge and nipples, and are shipped unassembled. If other options are required, order each unit separately. For BSP threads, add -B to the end of the model number.

PERFORMANCE SPECIFICATIONS

Max Inlet Pressure	Polycarbonate bowl — 150 psig (10.4 bar) Metal bowl — 175 psig (12 bar)
Operating Temp Range	Polycarbonate bowl — 0° – 125° F (-18° – 52°C) Metal bowl — 0° – 175°F (-18° – 79°C)
Filter Element	40 micron
Pressure Range	5 – 125 psig (.3 – 8.6 bar)
In Regulator	
Gauge	0 – 160 psi
Gauge Port	1/4" NPT
Filter Drain	Manual (standard); Automatic (optional)

DIMENSIONAL DATA

Dimensions – inches (mm)



Port Size NPT	Models		Weight lb (kg)	Component		
	Modular	Nippled		Filter	Regulator	Lubricator
Push Drain — Metal Bowl with Sight Glass						
1/4"	C28221-810	C28223-810	5.5 (2.5)	F25221-110	R27221-600	L26221-110
3/8"	C28231-810	C28233-810	5.4 (2.4)	F25231-110	R27231-600	L26231-110
1/2"	C28241-810	C28243-810	5.3 (2.4)	F25241-110	R27241-600	L26241-110
Push Drain — Polycarbonate Bowl with Bowl Guard						
1/4"	C28221-800	C28223-800	5.5 (2.5)	F25221-100	R27221-600	L26221-100
3/8"	C28231-800	C28233-800	5.4 (2.4)	F25231-100	R27231-600	L26231-100
1/2"	C28241-800	C28243-800	5.3 (2.4)	F25241-100	R27241-600	L26241-100
Automatic Drain — Metal Bowl with Sight Glass						
1/4"	C28221-811	N/A	5.5 (2.5)	F25221-111	R27221-600	L26221-110
3/8"	C28231-811	N/A	5.4 (2.4)	F25231-111	R27231-600	L26231-110
1/2"	C28241-811	N/A	5.3 (2.4)	F25241-111	R27241-600	L26241-110
Automatic Drain — Polycarbonate Bowl with Bowl Guard						
1/4"	C28221-801	N/A	5.5 (2.5)	F25221-101	R27221-600	L26221-100
3/8"	C28231-801	N/A	5.4 (2.4)	F25231-101	R27231-600	L26231-100
1/2"	C28241-801	N/A	5.3 (2.4)	F25241-101	R27241-600	L26241-100

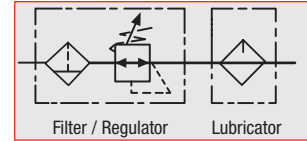
NOTE: Three-piece modular models include (2) 104171 "T" brackets and (1) 100067 gauge. Pipe-nippled models include (1) 100067 gauge and (2) appropriate-size pipe nipples.

For pipe-nippled FRL combo units with automatic drain, order individual filter, regulator, lubricator components, and pipe nipples.

To order modular models without "T" brackets, place a "2" in sixth position of model number. Example: CXXXX2-XXX.

Not all menu combinations are valid. See price book to verify.

INGERSOLL RAND ARO COMPACT SERIES PIGGYBACK LUBRICATORS



C28241-610
Piggyback / Lubricator

1/4", 3/8", AND 1/2" PORTS

ORDERING

Select the basic model number that represents the port size and bowl option required. Modular models listed include gauges and "T" brackets, and are shipped assembled. Pipe-nippled models include gauge and nipple, and are shipped unassembled. If other options are required, order each unit separately.

For BSP threads, add -B to the end of the model number.

Port Size NPT	Models		Weight lb (kg)	Components	
	Modular	Nippled		Piggyback	Lubricator
Push Drain — Metal Bowl with Sight Glass					
1/4"	C28221-610	C28223-610	4.1 (1.9)	P29221-610	L26221-110
3/8"	C28231-610	C28233-610	4.0 (1.8)	P29231-610	L26231-110
1/2"	C28241-610	C28243-610	3.9 (1.8)	P29241-610	L26241-110
Push Drain — Polycarbonate Bowl with Bowl Guard					
1/4"	C28221-600	C28223-600	4.1 (1.9)	P29221-600	L26221-100
3/8"	C28231-600	C28233-600	4.0 (1.8)	P29231-600	L26231-100
1/2"	C28241-600	C28243-600	3.9 (1.8)	P29241-600	L26241-100
Automatic Drain — Metal Bowl with Sight Glass					
1/4"	C28221-611	N/A	4.1 (1.9)	P29221-614	L26221-110
3/8"	C28231-611	N/A	4.0 (1.8)	P29231-614	L26231-110
1/2"	C28241-611	N/A	3.9 (1.8)	P29241-614	L26241-110
Automatic Drain — Polycarbonate Bowl with Bowl Guard					
1/4"	C28221-601	N/A	4.1 (1.9)	P29221-604	L26221-100
3/8"	C28231-601	N/A	4.0 (1.8)	P29231-604	L26231-100
1/2"	C28241-601	N/A	3.9 (1.8)	P29241-604	L26241-100

NOTE: Two-piece modular models include (1) 104171 "T" brackets and (1) 100067 gauge. Pipe-nippled models include (1) 100067 gauge and (1) appropriate-sized pipe nipple.

For pipe-nippled FRL combo units with automatic drain, order individual filter, regulator, lubricator components, and pipe nipples.

To order modular models without "T" brackets, place a "2" in sixth position of model number. Example: CXXXX2-XXX.

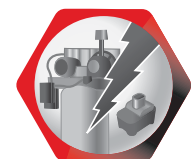
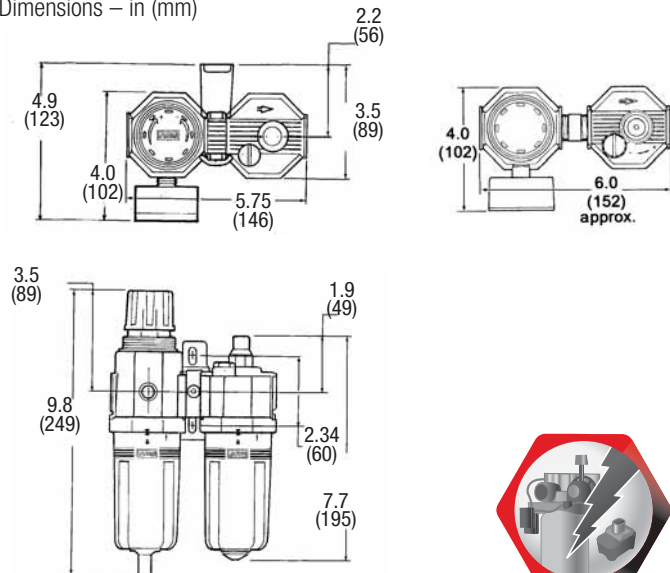
Not all menu combinations are valid. See price book to verify.

PERFORMANCE SPECIFICATIONS

Max Inlet Pressure	Polycarbonate bowl — 150 psig (10.4 bar) Metal bowl — 175 psig (12 bar)
Operating Temp Range	Polycarbonate bowl — 0° – 125° F (-18° – 52° C) Metal bowl — 0° – 175° F (-18° – 79° C)
Filter Element	40 micron
Pressure Range In Regulator	5 – 125 psig (.3 – 8.6 bar)
Gauge	0 – 160 psi
Gauge Port	1/4" NPT
Filter Drain	Manual (standard); Automatic (optional)

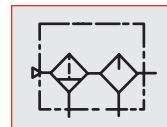
DIMENSIONAL DATA

Dimensions – in (mm)



Power Supply

INGERSOLL RAND ARO COMPACT SERIES FILTERS / LUBRICATORS



C28241-700
(modular)

1/4", 3/8", AND 1/2" PORTS

ORDERING

Select the basic model number that represents the port size and bowl option required. Modular models listed include gauge and "T" brackets, and are shipped assembled. Pipe-nippled models include gauge and nipple, and are shipped unassembled. If other options are required, order each unit separately. For BSP threads, add -B to the end of the model number.

Port Size NPT	Models		Weight lb (kg)	Components	
	Modular	Nippled		Filter	Lubricator
Push Drain — Metal Bowl with Sight Glass					
1/4"	C28221-710	C28223-710	3.6 (1.6)	F25221-110	L26221-110
3/8"	C28231-710	C28233-710	3.5 (1.6)	F25231-110	L26231-110
1/2"	C28241-710	C28243-710	3.3 (1.5)	F25241-110	L26241-110
Push Drain — Polycarbonate Bowl with Bowl Guard					
1/4"	C28221-700	C28223-700	3.6 (1.6)	F25221-100	L26221-100
3/8"	C28231-700	C28233-700	3.5 (1.6)	F25231-100	L26231-100
1/2"	C28241-700	C28243-700	3.3 (1.5)	F25241-100	L26241-100
Automatic Drain — Metal Bowl with Sight Glass					
1/4"	C28221-711	N/A	3.6 (1.6)	F25221-111	L26221-110
3/8"	C28231-711	N/A	3.5 (1.6)	F25231-111	L26231-110
1/2"	C28241-711	N/A	3.3 (1.5)	F25241-111	L26241-110
Automatic Drain — Polycarbonate Bowl with Bowl Guard					
1/4"	C28221-701	N/A	3.6 (1.6)	F25221-101	L26221-100
3/8"	C28231-701	N/A	3.5 (1.6)	F25231-101	L26231-100
1/2"	C28241-701	N/A	3.3 (1.5)	F25241-101	L26241-100

NOTE: Modular models include (1) 104171 "T" bracket. Pipe-nippled models include (1) appropriate-sized pipe nipple. For pipe-nippled FRL combo units with automatic drain, order individual filter, lubricator components, and pipe nipple.

To order modular models without "T" brackets, place a "2" in sixth position of model number. Example: CXXXX2-XXX.

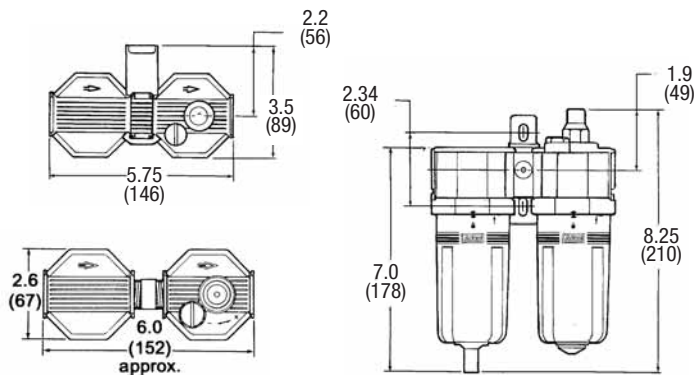
Not all menu combinations are valid. See price book to verify.

PERFORMANCE SPECIFICATIONS

Max Inlet Pressure	Polycarbonate bowl — 150 psig (10.4 bar) Metal bowl — 175 psig (12 bar)
Operating Temp Range	Polycarbonate bowl — 0° – 125° F (-18° – 52° C) Metal bowl — 0° – 175° F (-18° – 79° C)
Filter Element	40 micron
Filter Drain	Manual (standard); Automatic (optional)

DIMENSIONAL DATA

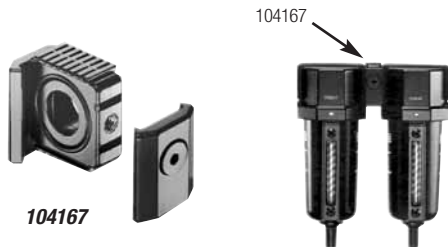
Dimensions – in (mm)



INGERSOLL RAND ARO COMPACT SERIES MOUNTING COMPONENTS

Mounting components include on-pipe port adapters, manifold kits, 3-way shut-off valves, and piping bracket kit. Threads are NPT.

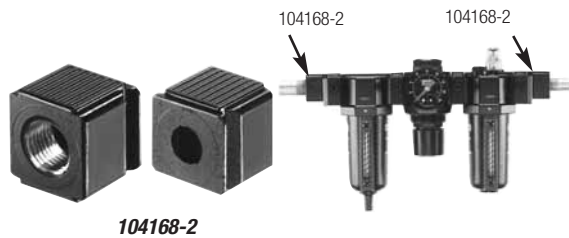
Modular Spacer Kit



Part Number	Description
Modular Spacer Kit	
104167	Modular spacer kit

Spacer has retained O-rings and Allen head screws for ease of assembly and disassembly. One spacer kit is required to connect any two units or accessories together in the modular format. Kit includes the spacer block, two clamps, and two O-rings. Screws take a size 4 mm or 5/32" Allen head wrench. To assemble, put the spacer between the units and tighten screws for a secure seal. Fits all port sizes.

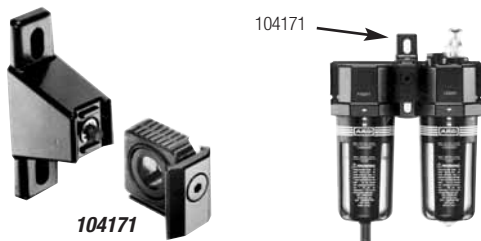
Threaded 1/4" – 3/4" NPT Pipe Adapters



Part Number	Description
Threaded 1/4" – 3/4" NPT Pipe Adapters	
104168-2	Threaded 1/4" NPT pipe adapter
104168-3	Threaded 3/8" NPT pipe adapter
104168-4	Threaded 1/2" NPT pipe adapter
104168-6	Threaded 3/4" NPT pipe adapter

Threaded pipe adapter blocks allow a single unit or multiple units to be plumbed into an air system in the modular arrangement. These pipe adapters allow for ease of service when removing a unit from the line. The adapters can also be used to pipe different diameters (in and out) in the plumbing set-up. Kit includes two adapters and two spacer kits (part number 104167).

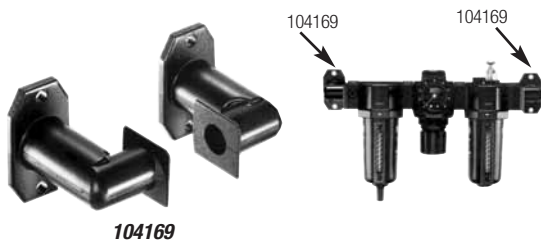
T-type Wall Mounting Bracket



Part Number	Description
T-Type Wall Mounting Bracket	
104171	T-type wall mounting bracket

These brackets provide heavy-duty wall mounting. They are excellent for mounting a single unit or multiple units in the modular arrangement. T-type mount gives good wall-to-unit clearance for installing fittings and other connections. Kit includes a spacer, bracket, and clamp.

Right Angle Piping Bracket Kit



Part Number	Description
Right Angle Piping Bracket Kit	
104169	Right angle piping bracket kit

These 90° elbow brackets provide for neater air installations by bringing air into the backside of units and hiding all pipe connections. Kit includes two 90° elbows and two spacer kits (part number 104167).



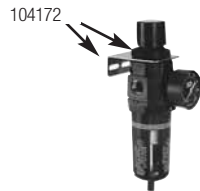
Power Supply

INGERSOLL RAND ARO COMPACT SERIES ACCESSORIES

Wall Mounting Kit



104172



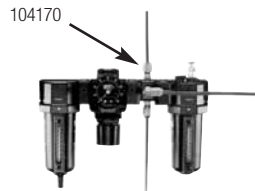
Part Number	Description
Wall Mounting Kit	
104172	Wall mounting kit

May be used to mount FRL combo units which include a regulator, Piggyback Filter / Regulator units, or individual regulators. Kit includes part number 29623 bracket and part number 104173 panel mounting nut. Bracket and nut may be ordered individually.

Modular Manifold Block Kit



104170

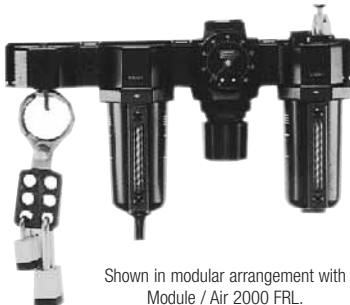


Manifold creates four additional 1/4" NPT outlet ports

Part Number	Description
Modular Manifold Block Kit	
104170	Modular manifold block kit

This manifold can be installed before or after any unit in the modular arrangement, providing four additional 1/4" NPT ports for greater circuit design flexibility. When installed between the regulator and lubricator, clean, regulated air can be used to signal other equipment. Kit includes manifold, two spacers, three pipe plugs, four clamps, and O-rings.

Safety Shut-off, Lock-out Valve



Shown in modular arrangement with Module / Air 2000 FRL.

Part Number	Description
Safety Shut-off, Lock-out Valves	
104174-2	Threaded 1/4" NPT
104174-3	Threaded 3/8" NPT
104174-4	Threaded 1/2" NPT
100085	Lock-out hasp

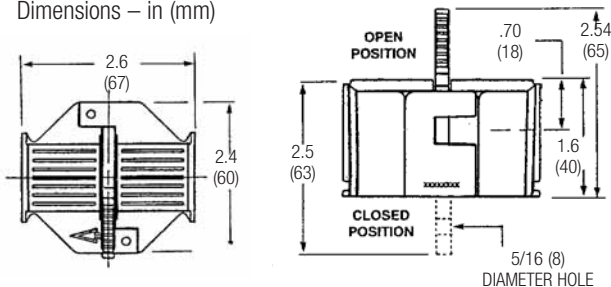
Valves meet OSHA Lock-out / Tag-out regulation 1910.147. Exhaust-type safety shut-off valves can be used in the modular arrangement or in-line, depending on application requirements. The safety shut-off valve should be installed upstream from the FRL unit. It is excellent for isolating and depressurizing a downstream unit requiring maintenance. The valve operates by pushing the lever down (closed position), exhausting downstream air. The valve may be locked in the exhausted position. When using the valve in the modular format, it is secured to the unit with a modular spacer or T-type modular bracket.

PERFORMANCE SPECIFICATIONS

Max Inlet	175 psig (12 bar)
Max Temp	0° – 125° F (-18° – 52° C)
Body	Zinc die-cast
Seals	Buna-N
Slide	Delrin

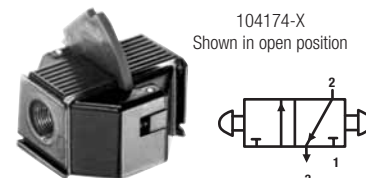
DIMENSIONAL DATA

Dimensions – in (mm)



Part Number 100085
Lock-out hasp
(order separately)

Shown as individual unit.



104174-X
Shown in open position

3 Port - 2 Position

NOTE: ARO Safety Lock-out Valves meet OSHA Lock-out / Tag-out regulation 1910.147, which requires protection from unexpected start-up of a machine during service or maintenance.

INGERSOLL RAND ARO COMPACT SERIES ACCESSORIES

Pressure Switches



104196



104196-CHW



104196-CDW



104196-CSN

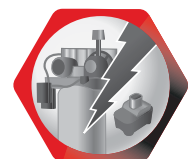
PERFORMANCE SPECIFICATIONS

Medium	Compressed air
Max Operating Pressure	150 psi (10.4 bar)
Adjustable Pressure Range	20 – 100 psi (1.4 – 6.9 bar)
Differential Pressure	5 – 10 psi (0.3 – 0.9 bar)
Operating Temp Range	-40° – 300° F
Weight	11 oz
Contact Type	N.O. / N.C.
Contact Ratings	5 amps @ 125 VDC 5 amps @ 250 VAC
Contact	Silver alloy wiping contact with snap action
Accuracy	20% accuracy or better; Switch is ±2 or 5% of set point (whichever is greater)
Cycle Life	1,000,000 plus
Thread	1/4" – 18" NPT male

Part Number	Description
Pressure Switch Safety Shut-off, Lock-out Valve	
104196	Switch only (without connector)
Pressure Switch Coil Connectors	
104196-CHW	Switch with molded cable connector, 36" leads
104196-CSN	Switch with strain relief connector
104196-CDW	Switch with 1/2" conduit connector, 18" leads

Pressure switch allows the sensing of high or low pressure thresholds. Use with part number 104170 manifold block. Features of the pressure switch include:

- Water-resistant
- External pressure adjustment with Allen screw
- Can be wired normally open or normally closed
- Computer-compatible — allows electrical current to flow or to be stopped
- Meets NEMA 4 and 13 specifications



Power Supply

INGERSOLL RAND ARO COMPACT SERIES SOFT-START VALVES

1/4", 3/8", AND 1/2" PORTS

FEATURES

Machine system start-up and the related air surge it creates can both damage and reduce the operating efficiency of its pneumatic components. Over time, air surge component slamming takes an even heavier toll on the machine's overall productivity and on your maintenance schedule. With ARO's new Soft-start Valves, you can eliminate the surge at start-up. And with our quick-relief models, remove the hazard at shut-down ... all in one convenient, space-efficient package.



- **Big Space Savings** — The Compact Series Solenoid Soft-start with exhaust puts the two critical features into one compact, easy-to-install package. Saving you operating space, time, and money.
- **Three Distinct Styles** —
 1. **Pilot Soft-start:** When pressure is supplied to the inlet port, an internal pilot is actuated and slow pressurization of the system begins. Once downstream pressure reaches 60% of operating pressure, the valve opens to full-flow mode. An adjustable metering screw allows setting the time it takes to get up to full system pressure.
 2. **Solenoid Soft-start without relief exhaust:** Contains the same capabilities as the pilot version only using a current-actuated solenoid with a DIN-style coil. The solenoid version also features an override that permits manual initiation of the "soft-start" sequence.
 3. **Solenoid Soft-start with relief exhaust:** Solenoid actuation and manual override features are coupled with an exhaust capability that releases pressure to the atmosphere through the bottom of the valve permitting system shut-down.
- **Three Port Sizes** — Choose from 1/4", 3/8" or 1/2" ports
- **Compact Series** — The ARO Soft-start Valves are designed for quick and easy in-line installation with our Compact Series air prep units for a clean, consistent appearance and impeccable performance.

Port Size NPT	Operating Pressure Range psig	Pressure Gauge Port Size	Ambient and Fluid Temperature	Cv Factor		Weight lb (kg)
				P-A Output A	A-R Exhaust Valve Type 3	
SSV22						
1/4"	45 – 145	1/4"	0 – 180° F	2.5	2.3	2.4 (1.08)
SSV23						
3/8"	45 – 145	1/4"	0 – 180° F	4.0	2.3	2.4 (1.08)
SSV24						
1/2"	45 – 145	1/4"	0 – 180° F	5.0	2.3	2.4 (1.08)

ELECTRICAL PERFORMANCE SPECIFICATIONS

Max Inlet Pressure	Polycarbonate bowl — 150 psig (10.4 bar) Metal bowl — 175 psig (12 bar)
Operating Coil Rated Voltage	24, 120, 240 volts AC (50 / 60 Hz) 12, 24 volts DC
Allowable Voltage Fluctuation	± 10% of rated voltage
Coil Insulation Type	Class F rated, 100% duty cycle 311° F (155° C)
Apparent Power (consumption) AC	Inrush 8.5 VA (50 Hz) / 6.9 VA (60 Hz) Holding 8.4 VA / 50 Hz / 6.5 VA (60 Hz)
Power Consumption	4.8 watts DC
Electrical Entry	Strain relief, DIN connector
Manual Override (solenoid only)	Screwdriver slot — rotate CW to actuate, CCW to return

PORT SIZE	BASE MODEL	USE FOR SOLENOID TYPE ONLY						
		1	2	3	4	5	6	
1/4"	SSV22	X	-	X	X	X	-	X
3/8"	SSV23	X	-	X	X	X	-	X
1/2"	SSV24	X	-	X	X	X	-	X

Valve Type	Voltage	Current
1 = Pilot*	012 = 12 volts	A = AC
2 = Solenoid	024 = 24 volts	D = DC
3 = Solenoid w/ exhaust	120 = 120 volts	N = No coil
	240 = 240 volts	
	000 = No coil	

*Model number ends here on pilot model.

INGERSOLL RAND ARO® HEAVY-DUTY SERIES

SERIES FEATURES

HEAVY-DUTY SERIES

1. **Two bowl options** available: Polycarbonate with guard or metal bowl for harsh applications.
2. **Balanced valve** eliminates chatter and provides precise air pressure control for your air-powered equipment.
3. **Units can be converted** from drop-type to fog-type lubricators by rotating sight dome 180 degrees.



SERIES FEATURES

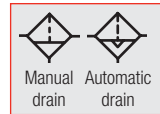
HI-FLOW HEAVY-DUTY SERIES

1. **Self-locking, non-rising regulator knob** allows easy one-hand adjustment. Pull up to adjust, push down to lock.
2. **Large 7 oz bowl capacity** on filter and 8 oz bowl capacity on lubricator provides greater time between service checks.
3. **Flow rates up to 300 cfm** make these units the perfect choice for large flow applications.



Power Supply

INGERSOLL RAND ARO HEAVY-DUTY SERIES FILTERS



Ingersoll Rand ARO Heavy Duty Filter

1/2", 3/4", AND 1" PORTS

FEATURES

These ARO Heavy-duty Series filters extend the life of air-operated equipment while reducing maintenance costs. These units efficiently remove solid particles from compressed air lines — making them the perfect choice for large flow applications.

- The baffle and filter assembly is completely encased, leaving the entire bowl for sump.
- Polycarbonate bowl and metal guard standard.
- Tie-rod filter assembly permits quick, easy service.
- Twist drain is brass construction with large passage area for draining.
- Optional automatic drain has 1/8" pipe outlet for draining away contaminants.

ORDERING

Select the basic model representing the port size desired. Add number representing filter options required.

PERFORMANCE SPECIFICATIONS

Sump Capacity	10 oz (295 ml)
Filter Area	9.1 in (5871 mm)
Max Inlet Pressure	Polycarbonate bowl — 200 psig (13.8 bar) Metal bowl — 250 psig (17 bar)
Operating Temp Range	Polycarbonate bowl — 0° – 125° F (-18° – 52° C) Metal bowl — 0° – 200° F (-18° – 93° C)
Weight	1/2" — 3.62 lb (1.65 kg) 3/4" — 3.48 lb (1.58 kg) 1" — 3.26 lb (1.48 kg)
*Airflow	1/2" — 82 cfm (39 dm ³ /s) 3/4" — 87 cfm (41 dm ³ /s) 1" — 88 cfm (42 dm ³ /s)
Body	Zinc die-cast
Bowls	Polycarbonate or steel
Bowl Guards	Steel with E-coat finish
Seals	Buna-N
Drain	Brass twist type
Element	Sintered bronze 5, 20, 40 micron

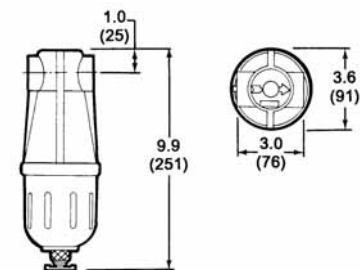
*Airflow is at 125 psig (8.6 bar) inlet and 100 psig (6.9 bar) outlet.

PORT SIZE	BASE MODEL		
1/2"	25341 - X X X		
3/4"	25351 - X X X	Red area indicates best-selling models	
1"	25361 - X X X		

Filter Element	Bowl Option	Drain Option
0 = 40 micron #29392	2 = Polycarbonate with guard #29397	0 = Manual
1 = 20 micron #29391	1 = Metal bowl #29967	1 = Auto drain #29969-2
2 = 5 micron #29390		

DIMENSIONAL DATA

Dimensions – in (mm)

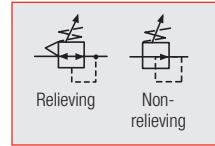


Part Number	Description
Filter Accessories	
29397	Bowl guard
29967	Metal bowl
29969-2	Automatic drain
29390	5 micron element
29391	20 micron element

Part Number	Description
Filter Accessories	
29392	40-micron element
104020	Service kit
104069	Polycarbonate bowl
Y57-1	Twist drain



INGERSOLL RAND ARO HEAVY-DUTY SERIES REGULATORS



Ingersoll Rand ARO Heavy-Duty Series Regulator

1/2", 3/4", AND 1" PORTS

FEATURES

The Ingersoll Rand ARO Heavy-duty Series regulators provide accurate and quick response to flow demands and line pressure changes, giving air-powered equipment the precise air pressure control needed.

- Zinc die-cast bodies are corrosion-resistant.
- Units can be panel-mounted.
- Balanced valve eliminates chatter and increases accuracy.
- Diaphragms and seals are nylon-reinforced for enhanced elasticity and seal life.
- Easy-turn adjustment knob provides precise regulation under any pressure.

PERFORMANCE SPECIFICATIONS

Max Inlet Pressure	250 psig (17 bar)
Pressure Range	0 – 250 psig (0 – 17 bar)
In Reg Water	
Operating Temp Range	0° – 200° F (-18° – 93° C)
Gauge Port	1/4" NPT
Weight	1/2" — 3.30 lb (1.5 kg) 3/4" — 3.21 lb (1.45 kg) 1" — 2.82 lb (1.28 kg)
*Airflow	1/2" — 256 cfm (121 dm ³ /s) 3/4" — 287 cfm (135 dm ³ /s) 1" — 293 cfm (138 dm ³ /s)
Spring Housing	Zinc die-cast
Body	Zinc die-cast
Seals	Buna-N
Diaphragm	Buna-N
Valve	Brass
Knob	High impact ABS

*Airflow is at 125 psig (8.6 bar) inlet and 100 psig (6.9 bar) outlet.

ORDERING

Select the basic model number that represents the port size desired. From the table below, select the number representing regulator options required. Order accessories separately.

PORT SIZE	BASE MODEL			
1/2"	2734	X - X	0 X	
3/4"	2735	X - X	0 X	
1"	2736	X - X	0 X	

Red area indicates best-selling models

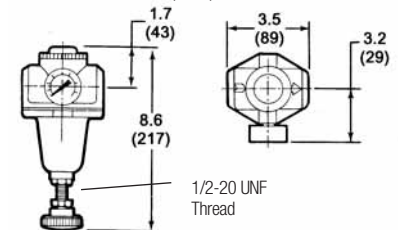
Relieving Option	Pressure Range psig (bar)	Control Option
4 = Relieving	0 = 5 – 125 (.4-8.6)	0 = Standard knob or panel mount
7 = Non-relieving	6 = 5 – 125 with 0 – 160 gauge 1 = 0 – 50 (.0 – 3.5) 2 = 10-250 (.7 – 17)	3 = Tamper-resistant

Part Number	Description
Regulator Accessories	
100066	Gauge 0 – 60 psig (0 – 4 bar)
100067	Gauge 0 – 160 psig (0 – 11 bar)
100083	Gauge 0 – 300 psig (0 – 21 bar)
29077	Mounting bracket, L-type
29999	Mounting bracket (U-bolt type), 1/4", 3/8", and 1/2" pipe

Part Number	Description
Regulator Accessories	
29970	Mounting bracket (U-bolt type), 3/4" and 1" pipe
29960	Service kit, relieving type
29995	Service kit, non-relieving type
29002	Spring, 5 – 125 lb (gold)
29119	Spring, 0 – 50 lb (green)
29120	Spring, 10 – 250 lb (silver)

DIMENSIONAL DATA

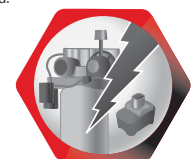
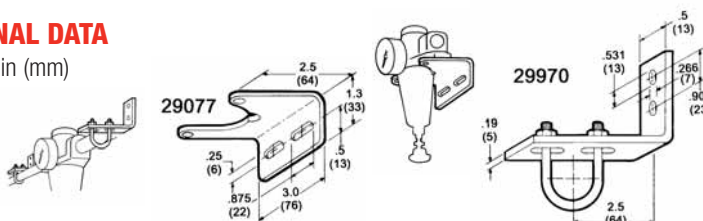
Dimensions – in (mm)



CAUTION: Outlet pressure adjustment ranges are not minimum or maximum outlet pressure limits. Regulators can be adjusted to zero psig secondary pressure and, generally, to pressures in excess of those specified. The use of these regulators to control pressures outside of the specified ranges is not recommended.

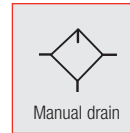
DIMENSIONAL DATA

Dimensions – in (mm)



Power Supply

INGERSOLL RAND ARO HEAVY-DUTY SERIES LUBRICATORS



Ingersoll Rand ARO Heavy-duty Series Lubricator (26361-020 with tamper-resistant cap)

1/2", 3/4", AND 1" PORTS

FEATURES

The rugged Ingersoll Rand ARO Heavy-duty Series lubricators deliver the reliable lubrication needed for long service life of air line systems and equipment. Units are convertible from drop-type to fog-type by rotating sight dome 180 degrees. For best results, lubricator should be located as close as possible to equipment being lubricated.

- Zinc die-cast bodies are corrosion-resistant.
- Tie-rod construction simplifies unit disassembly for quick and easy servicing.
- Two separate fill plugs allow unit to be filled from front or back. Lubricators can be filled under pressure. A quick-fill adapter is available for fast, easy filling.
- Polycarbonate bowl allows visual monitoring. Metallic bowl available for applications involving the use of harsh chemicals. Standard bowl guard protects polycarbonate bowl.

PERFORMANCE SPECIFICATIONS

Max Inlet Pressure	Polycarbonate bowl — 200 psig (13.8 bar) Metal bowl — 250 psig (17 bar)
Operating Temp Range	Polycarbonate bowl — 0° – 125° F (-18° – 52° C) Metal bowl — 0° – 200° F (-18° – 93° C)
Oil Capacity	10 oz (295 ml)
Weight	1/2" — 2.98 lb (1.35 kg) 3/4" — 2.83 lb (1.28 kg) 1" — 2.70 lb (1.22 kg)
*Airflow	1/2" — 65 cfm (31 dm ³ /s) 3/4" — 75 cfm (35 dm ³ /s) 1" — 75 cfm (35 dm ³ /s)
Body	Zinc die-cast
Bowls	Polycarbonate or steel
Bowl Guards	Steel with E-coat finish
Sight Glass	Polyamide nylon
Seals	Buna-N

*Airflow is at 90 psig (6.2 bar) inlet and 5 psig (0.4 bar) pressure drop.

ORDERING

Select the basic model number that represents the port size desired. From the table below, select the number representing regulator options required. Order accessories separately.

PORT SIZE	BASE MODEL				
1/2"	26341	-	X	X	X
3/4"	26351	-	X	X	X
1"	26361	-	X	X	X

Red area indicates best-selling models

Adjustment	Bowl Option	Fill Option
0 = Standard knob	2 = Polycarbonate with guard #29397	0 = Standard
1 = 1/8" Allen wrench	1 = Metal bowl #29967	
2 = Tamper-resistant		

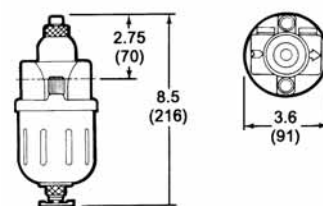
Part Number	Description
Lubricator Accessories	
104069	Polycarbonate bowl
29967	Metal bowl
29397	Bowl guard
29665	1 qt ARO lubricating oil
104023	Service kit
Y57-1	Twist drain



29967

DIMENSIONAL DATA

Dimensions – in (mm)



INGERSOLL RAND ARO HEAVY-DUTY SERIES FILTER / REGULATOR / LUBRICATOR COMBINATIONS UNITS



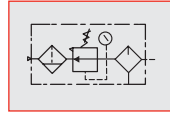
28368

1/2", 3/4", AND 1" PORTS

FILTER / REGULATOR / LUBRICATOR

Performance Specifications

Max Inlet Pressure	200 psig (13.8 bar)
Operating Temp Range	0° – 125° F (-18° – 52° C)
Filter Element	40 micron
Bowl	Polycarbonate with bowl guard
Pressure Range In Regulator	5 – 125 psi (.4 – 8.6 bar)
Gauge	0 – 160 psi



ORDERING

Select the basic model that represents the port size desired. If other options are desired, order each component separately.

Port Size NPT	Model	Weight lb (kg)	Components				
			Filter	Regulator	Lubricator	Gauge	Pipe Nipple
Filter / Regulator / Lubricator Combinations							
1/2"	28343	10.16 (4.61)	25341-020	27344-000	26341-020	100067	Y27-54-C
3/4"	28353	10.12 (4.59)	25351-020	27354-000	26351-020	100067	Y27-55-C
1"	28363	9.37 (4.25)	25361-020	27364-000	26361-020	100067	Y27-56-C

NOTE: Shipped unassembled. For assembled unit, change the last digit from 3 to 7. Example: 28347.

Dimensional data on following page.

INGERSOLL RAND ARO HEAVY-DUTY SERIES FILTER / REGULATOR COMBINATION UNITS



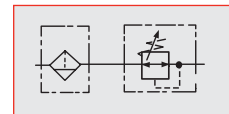
28369

1/2", 3/4", AND 1" PORTS

FILTER / REGULATOR

Performance Specifications

Max Inlet Pressure	200 psig (13.8 bar)
Operating Temp Range	0° – 125° F (-18° – 52° C)
Filter Element	40-micron
Bowl	Polycarbonate with bowl guard
Pressure Range In Regulator	5 – 125 psi (.4 – 8.6 bar)
Gauge	0 – 160 psi



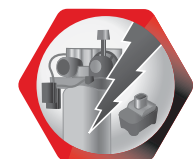
ORDERING

Select the basic model that represents the port size desired. If other options are desired, order each component separately.

Port Size NPT	Model	Weight lb (kg)	Components			
			Filter	Regulator	Gauge	Pipe Nipple
Filter / Regulator Combinations						
1/2"	28344	7.11 (3.22)	25341-020	27344-000	100067	Y27-54-C
3/4"	28354	7.06 (3.20)	25351-020	27354-000	100067	Y27-55-C
1"	28364	6.46 (2.93)	25361-020	27364-000	100067	Y27-56-C

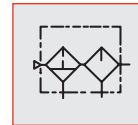
NOTE: Shipped unassembled. For assembled unit, change the last digit from 4 to 7. Example: 28347.

Dimensional data on following page.



Power Supply

INGERSOLL RAND ARO HEAVY-DUTY SERIES FILTER / LUBRICATOR COMBINATION



Ingersoll Rand ARO Heavy-duty Series
Filter / Lubricator Combination

1/2", 3/4", AND 1" PORTS

PERFORMANCE SPECIFICATIONS

Max Inlet Pressure	200 psig (13.8 bar)
Operating Temp Range	0° – 125° F (-18° – 52° C)
Filter Element	40 micron
Bowl	Polycarbonate with metal guard
Lubricator	Combination fog-type / drop-type

ORDERING

Select the basic model that represents the port size desired. If other options are desired, order each component separately.

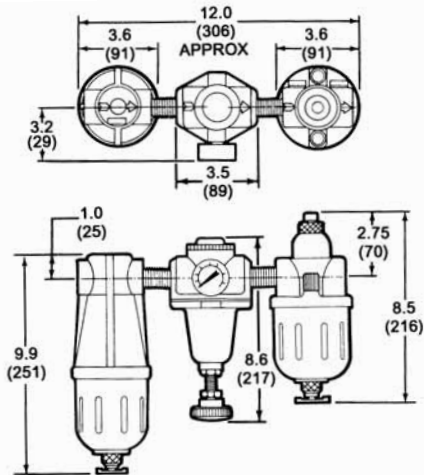
Port Size NPT	Part Number	Weight lb (kg)	Components		
			Filter	Lubricator	Pipe Nipple
Filter / Lubricator Combination					
1/2"	28342	6.61 (3)	25341-020	26341-020	Y27-54-C
3/4"	28352	6.52 (2.96)	25351-020	26351-020	Y27-55-C
1"	28362	6.13 (2.78)	25361-020	26361-020	Y27-56-C

NOTE: Shipped unassembled. For assembled unit, change the last digit from 2 to 7. Example: 28347.

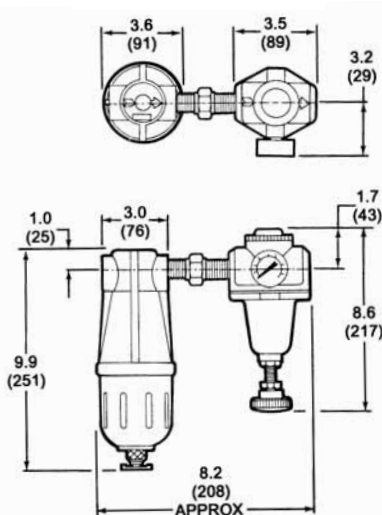
DIMENSIONAL DATA

Dimensions – in (mm)

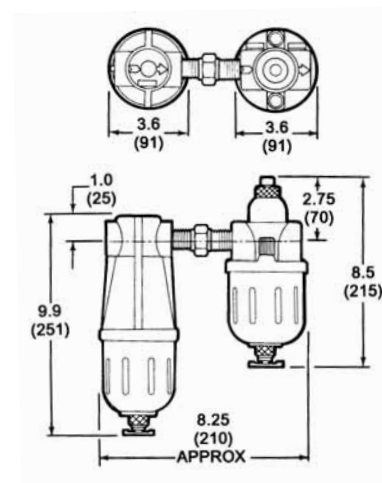
Filter / Regulator / Lubricator



Filter / Regulator



Filter / Lubricator



INGERSOLL RAND ARO HI-FLOW HEAVY-DUTY SERIES PIGGYBACK AND PIGGYBACK / LUBRICATOR COMBINATION



Ingersoll Rand ARO Hi-Flow Heavy-duty Series Filter / Regulator Piggyback



Ingersoll Rand ARO Hi-Flow Heavy-duty Series Piggyback / Lubricator Combination

3/4" AND 1" PORTS

FEATURES

- The Ingersoll Rand ARO Hi-Flow Heavy-duty Series units extend the life of air operated equipment while reducing operating costs. These units efficiently remove solid particles from compressed air lines, making them the perfect choice for large flow applications.
- Polycarbonate bowl with metal guard is standard.
- Automatic drain has pipe connection for draining away contaminants.
- Push-pull, non-rising adjustment knob.
- Bracket and gauge come standard with all units.

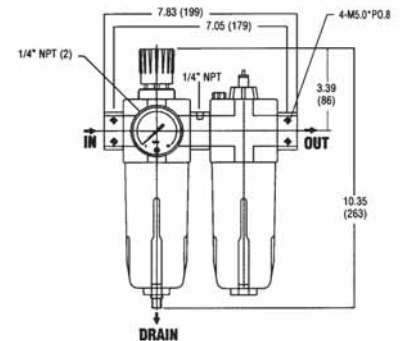
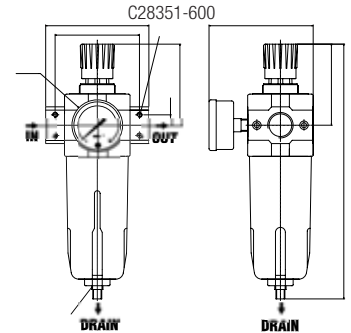
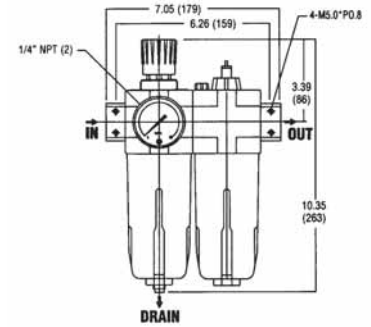
ORDERING

Port Size NPT	Model	Weight lb (g)
Filter / Regulator Piggyback		
3/4"	P29351-600	3 (1360)
1"	P29361-600	3 (1360)
Filter / Regulator Piggyback with Auto Drain		
3/4"	P29351-604	3 (1360)
1"	P29361-604	3 (1360)
Piggyback / Lubricator Combination		
3/4"	C28351-600	4.6 (2105)
1"	C28361-600	4.6 (2105)

*All models come with gauge and bracket.

DIMENSIONAL DATA

Dimensions – in (mm)

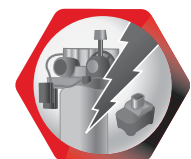


C28361-600

PERFORMANCE SPECIFICATIONS

Construction	Piston-type regulation
Material	Body / aluminum die-cast Bowl / polycarbonate
Filter Element	40 micron (standard)
Temp Range	14° – 140° F (-10° – 60° C)
Pressure Range	5 – 150 psi (.4 – 10.4 bar)
Max Pressure	150 psi (10.4 bar)
Max Flow Rate	Piggyback, 300 cfm Lubricator, 320 cfm
Media	Compressed air
Bowl Capacity	Filter, 7 oz Lubricator, 8 oz
Seals	Buna-N
Weight	Piggyback lube, 4.6 lb (2105 g) Piggyback, 3 lb (1360 g)

Part Number	Description
Piggyback / Regulator Piggyback Accessories	
100067	Gauge, 0 – 160 psi
104282	Bracket
104283	Auto drain
104284	Filter element, 40 micron (standard)
104285	Filter element, 5 micron
104286	Filter bowl
104287	Lubricator bowl



Power Supply

INGERSOLL RAND JUMBO SERIES

SERIES FEATURES

FILTERS

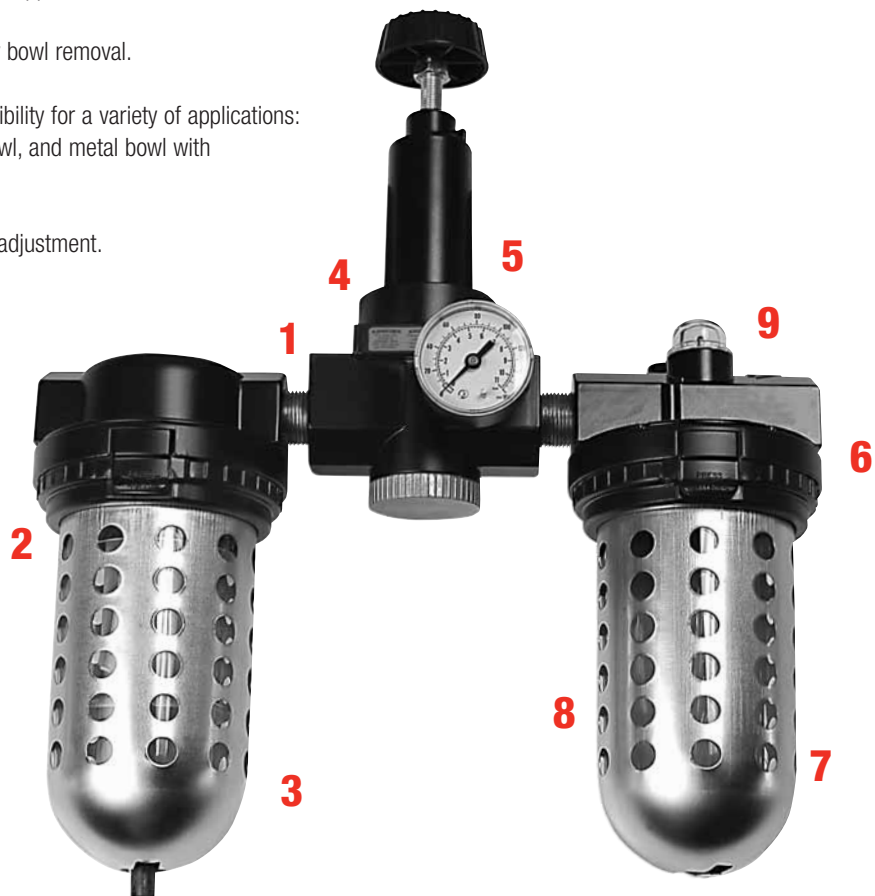
1. **Flow rates up to 323 cfm** for large flow applications.
2. **Quick-disconnect clamp ring** for easy bowl removal.
3. **Three bowl options** provide design flexibility for a variety of applications:
Polycarbonate bowl with guard, metal bowl, and metal bowl with sight glass.

REGULATORS

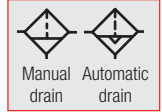
4. **Balanced valve design** for accurate pressure control.
5. **Flow rates up to 500 cfm** for high flow applications.

LUBRICATORS

6. **Flow rates up to 374 cfm** for large flow applications.
7. **Quick-disconnect clamp ring** for easy bowl removal.
8. **Three bowl options** provide design flexibility for a variety of applications:
Polycarbonate bowl with guard, metal bowl, and metal bowl with sight glass.
9. **Full view sight dome** for easy oil feed adjustment.



INGERSOLL RAND JUMBO SERIES FILTERS



Ingersoll Rand Jumbo Series Filter

3/4" AND 1" PORTS

FEATURES

- Standard manual drain.
- Standard 5 micron rated element.
- Quick-disconnect clamp ring for easy bowl removal.
- Bowl guard.

ORDERING*

Port Size NPT	Airflow cfm	Bowl Size oz	Filter Element micron	Weight lb	Poly Bowl with Bowl Guard	Metal Bowl with Sight Gauge
Filters						
3/4"	316	2.0	5	5.5	F30-06-000	F30-06-G00
1"	323	2.0	5	5.5	F30-08-000	N/A

*All available models are in this table.

PERFORMANCE SPECIFICATIONS

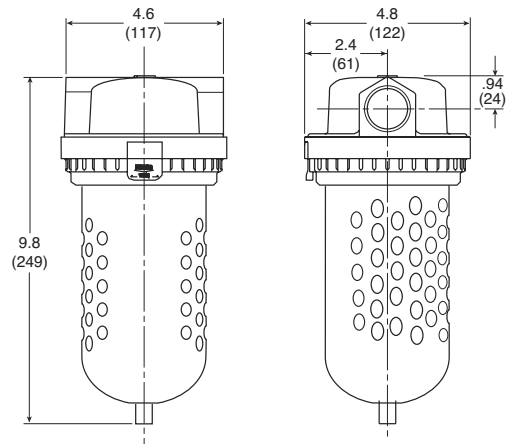
Flow Capacity*	3/4" — 316 cfm (149,1 dm ³ /s) 1" — 323 cfm (152,4 dm ³ /s)
Operating Temp	Plastic bowl — 32° – 125° F (0° – 52° C) Metal bowl — 32° to 150° F (0° – 65.5° C)
Max Supply Pressure	Plastic bowl — 150 psig (10.3 bar) Metal bowl — 200 psig (13.8 bar)
Standard Filtration	5 Micron
Useful Retention**	2.0 oz (59.8 cm ³)
Port Size	NPT / BSPP-G — 3/4", 1"
Weight	5.5 lb (2.5 kg)

*Inlet pressure 150 psig (10.3 bar). Pressure drop 5 psid (0.3 bar).

**Useful retention refers to volume below the quiet zone baffle.

DIMENSIONAL DATA

Dimensions – in (mm)

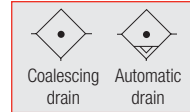


Part Number	Description
Filter Accessories	
GRP-95-734	Wall mount pipe clamp
FRP-95-593	Metal bowl with brass petcock drain
GRP-95-676	Metal bowl with sight gauge & manual drain
FRP-95-832	Polycarbonate bowl with bowl guard & manual drain
GRP-95-182	Brass petcock manual drain replacement kit
GRP-96-000-28	Manual override drain for autofloat drains with 1/8" NPT port
FRP-95-209	Filter element, 5 micron



Power Supply

INGERSOLL RAND JUMBO SERIES COALESCING FILTER



Ingersoll Rand Jumbo Series
Coalescing Filter

1" PORTS

FEATURES

- Manual drain.
- 0.01 micron rated filter element.
- Quick-disconnect bowl guard with integral plastic bowl and safety latch.
- Differential pressure indicator.

ORDERING*

Port Size NPT	Airflow cfm	Bowl Size oz	Filter Element micron	Weight lb	Poly Bowl	Metal Bowl with Sight Gauge
Coalescing Filter						
1"	203	2.0	0.5	5.4	M30-08-FS0	N/A

*All available models are in this table.

PERFORMANCE SPECIFICATIONS

Flow Capacity*	1" — 203 cfm (96.0 dm ³ /s)
Operating Temp	Plastic bowl — 32° – 125° F (0° – 52° C) Metal bowl — 32° – 150° F (0° – 65.5° C)
Max Supply Pressure	Plastic bowl — 150 psig (10.3 bar) Metal bowl — 200 psig (13.8 bar)
Standard Filtration	Micron (B) 0.5, (C) 0.01, (D) 0.003 ppm / wt**
Useful Retention†	2.0 oz (59.8 cm ³)
Port Size	NPT / BSPP-G 1/2, 3/4, 1
Weight	5.4 lb (2.4 kg)

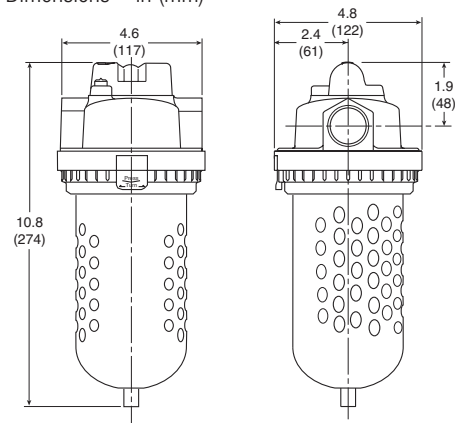
*Inlet pressure 150 psig (10.3 bar). Pressure drop of 3 PSID (0.2 bar).

**Filtration temperature of 70° F (21° C) @100 psig (6.9 bar) with typical compressor lubricating oil and protected by Type "C" filter.

†Useful retention refers to volume below the quiet zone baffle.

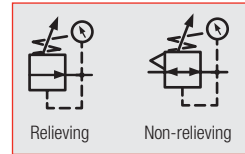
DIMENSIONAL DATA

Dimensions – in (mm)



Part Number	Description
Coalescing Filter Accessories	
GRP-95-734	Wall mount pipe clamp
FRP-95-593	Metal bowl with brass petcock drain
DP2-01-000-28	Differential pressure indicator
GRP-95-182	Brass petcock manual drain replacement kit
GRP-96-000-28	Manual override drain for autofloat drains with 1/8" NPT port
MTP-95-551-28	Type C 0.01 micron coalescing element

INGERSOLL RAND JUMBO SERIES REGULATORS



Ingersoll Rand Jumbo Series Regulator

3/4" AND 1" PORTS

FEATURES

- Balanced valve design.
- Standard self-relieving.
- Two 1/4" NPT / BSPT-Rc gauge ports standard — can be used for additional outlet ports.
- Piston-operated.
- High-flow capacity.

ORDERING**

Port Size NPT	Airflow cfm	Weight lb	Relieving Type 0 – 125 psig
Regulators			
3/4"	481	6	R30-06-000*
1"	500	6	R30-08-000*

*Order gauge 100067 separately.
**All available models are in this table.

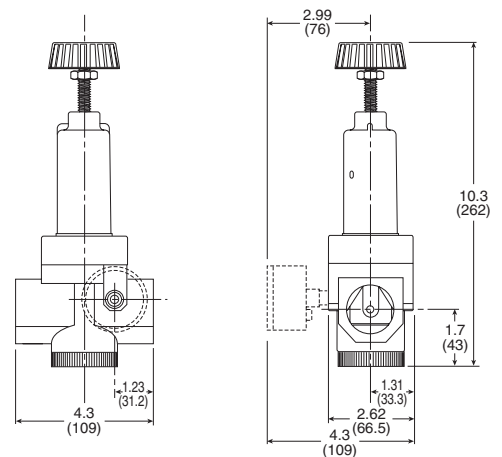
PERFORMANCE SPECIFICATIONS

Flow Capacity*	3/4" — 481 cfm (227 dm ³ /s) 1" — 500 cfm (236 dm ³ /s)
Operating Temp	32° to 150° F (0° to 65.5° C)
Max Supply Pressure	300 psig (20.7 bar)
Adjusting	0 – 125 psig (0 – 8.6 bar)
Range Pressure	0 – 180 psig (0 – 12.4 bar)
Port Size	NPT / BSPP-G 3/4", 1", 1-1/4"
Gauge Port (2 ea.)	NPT / BSPT-Rc 1/4"
Weight	6 lb (2.7 kg)

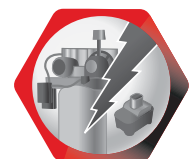
*Inlet pressure 100 psig (6.9 bar). Secondary pressure 80 psig (5.5 bar).

DIMENSIONAL DATA

Dimensions – in (mm)

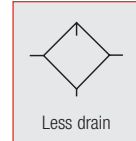


Part Number	Description
Regulator Accessories	
29846	Gauge 0 – 15 psig
29863	Gauge 0 – 60 psig
29850	Gauge 0 – 160 psig
GRP-95-734	Wall mount pipe clamp



Power Supply

INGERSOLL RAND JUMBO SERIES LUBRICATORS



Ingersoll Rand Jumbo Series Lubricator

3/4" AND 1" PORTS

FEATURES

- Full view sight dome.
- Siphon tube filter provides clean lubricant downstream.
- Quick-disconnect clamp ring for easy bowl removal.
- Adjustable oil feed.
- Standard transparent bowl with metal bowl guard.
- Optional petcock in polycarbonate bowl.
- Can be filled while under pressure.

ORDERING*

Port Size NPT	Airflow cfm	Bowl Size oz	Weight lb	Poly Bowl with Bowl Guard	Metal Bowl with Sight Gauge
Lubricators					
3/4"	196	26.0	5.6	L30-06-000	L30-06-G00
1"	374	26.0	5.6	L30-08-000	N/A

*All available models are in this table.

PERFORMANCE SPECIFICATIONS

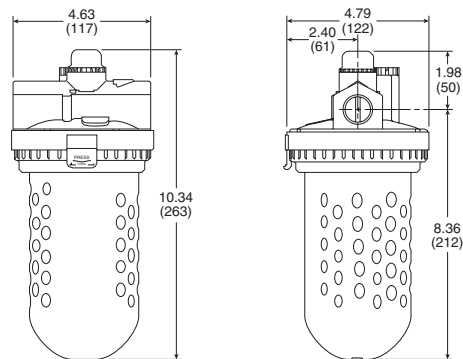
Flow Capacity*	3/4" — 196 cfm (92.4 dm ³ /s) 1" — 374 cfm (176.4 dm ³ /s)
Operating Temp	Plastic bowl — 32° – 125° F (0° – 52° C) Metal bowl — 32° – 150° F (0° – 65.5° C)
Max Supply Pressure	Plastic bowl — 150 psig (10.3 bar) Metal bowl — 200 psig (13.8 bar)
Useful Retention**	26 oz (769 cm ³)
Port Size	NPT / BSPP-G 3/4", 1"
Weight	5.6 lb (2.54 kg)

*Inlet pressure 120 psig (8.3 bar). Pressure drop 5 psid (0.3 bar).

**Useful retention refers to usable volume.

DIMENSIONAL DATA

Dimensions – in (mm)



Part Number	Description
Lubricator Accessories	
GRP-95-734	Wall mount pipe clamp
FRP-95-593	Metal bowl with brass petcock drain
GRP-95-676	Metal bowl with sight gauge & manual drain
FRP-95-832	Polycarbonate bowl with bowl guard & manual drain
GRP-95-182	Brass petcock manual drain replacement kit
GRP-96-000-28	Manual override drain for autofloat drains with 1/8" NPT port
LRP-95-058	Repair kit

INGERSOLL RAND JUMBO SERIES COMBINATION UNITS



*Ingersoll Rand Jumbo Series
Filter / Regulator / Lubricator Combo Unit*

3/4" AND 1" PORTS

ORDERING*

Port Size NPT	Airflow cfm	Poly Bowl with Bowl Guard	Components		
			Filter	Regulator	Lubricator
Filter / Regulator / Lubricator (regulator includes gauge)					
3/4"	170	C31-06-G00	F30-06-000	R30-06-000	L30-06-000
1"	331	C31-08-G00	F30-08-000	R30-08-000	L30-08-000
Filter / Lubricator					
3/4"	170	C36-06-000	F30-06-G00	N/A	L30-06-G00
1"	331	C36-06-000	F30-08-G00	N/A	L30-08-G00

**All available models combinations are in this table.*

3/4" PORT*

PERFORMANCE SPECIFICATIONS

Filter / Regulator / Lubricator

Part Number	C31-06-G00
Flow Capacity	170 cfm
Pressure Range	0 – 125 psig
Useful Retention	2.0 oz filter 26 oz lubricator
Dimensions	Height 11.2" Width 15.3" Depth 5.7"

Filter / Lubricator

Part Number	C36-06-000
Flow Capacity	170 cfm
Pressure Range	N/A
Useful Retention	2.0 oz filter 26 oz lubricator
Dimensions	Height 11.2" Width 10.1" Depth 4.9"

**NPT female pipe sizes.*

1" PORT*

PERFORMANCE SPECIFICATIONS

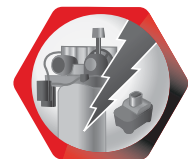
Filter / Regulator / Lubricator

Part Number	C31-08-G00
Flow Capacity	331 cfm
Pressure Range	0 – 125 psig
Useful Retention	2.0 oz filter 26 oz lubricator
Dimensions	Height 11.2" Width 15.3" Depth 5.7"

Filter / Lubricator

Part Number	C36-08-000
Flow Capacity	331 cfm
Pressure Range	N/A
Useful Retention	2.0 oz filter 26 oz lubricator
Dimensions	Height 11.2" Width 10.1" Depth 4.9"

**NPT female pipe sizes.*



Power Supply

INGERSOLL RAND SUPER-DUTY SERIES

SERIES FEATURES

FILTERS

1. **Differential pressure indicator** eliminates the guesswork of element replacement
2. **Flow rates from 1,280 cfm to 1,400 cfm**
3. **Heavy-duty housings** for operating pressures up to 300 psi

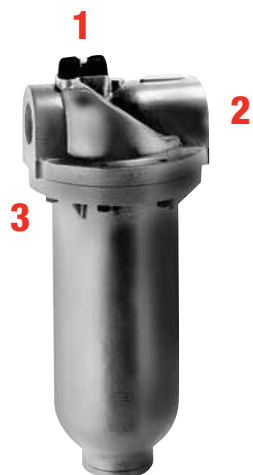
REGULATORS

4. **Balanced valve design** for accurate pressure control
5. **Flow rates up to 1,200 cfm**

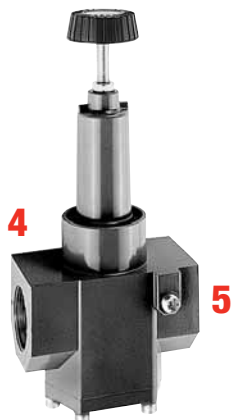
LUBRICATORS

6. **Flow rates up to 1,186 cfm**
7. **Quick disconnect clamp ring** for easy bowl removal
8. **Full view sight dome** for easy oil feed adjustment

FILTERS



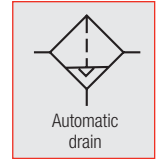
REGULATORS



LUBRICATORS



INGERSOLL RAND SUPER-DUTY SERIES FILTERS



F35-0B-000

1-1/2" AND 2" PORTS

FEATURES

- Heavy-duty cast aluminum housings to withstand operating pressures up to 300 psig
- Differential pressure indicator to eliminate the guesswork of element replacement
- Unique drain mounting plate design offers a troublefree method for interchanging and installing external drains

ORDERING

Port Size NPT	Airflow cfm	Bowl Size oz	Filter Element micron	Weight lb	Poly Bowl with Bowl Guard	Metal Bowl with Sight Gauge
Filters						
1-1/2"	1,280	12.5	5	19.3	N/A	F35-0B-C28
2"	1,400	12.5	5	31.0	N/A	F37-0C-A28

PERFORMANCE SPECIFICATIONS

Flow Capacity*	1-1/2" — 1,280 cfm (604 dm ³ /s) 2" — 1,400 cfm (660 dm ³ /s)
Operating Temp	32° – 150° F (0° – 65.5° C)
Max Supply Pressure	Without DP2 — 300 psig (20.7 bar)** With DP2 — 150 psig (10.3 bar)
Standard Filtration	5 micron
Useful Retention†	12.5 oz (370 cm ³)
Port Size	NPT / BSPP-G — 1-1/4", 1-1/2", 2"
Weight	19.3 lb (8.7 kg)

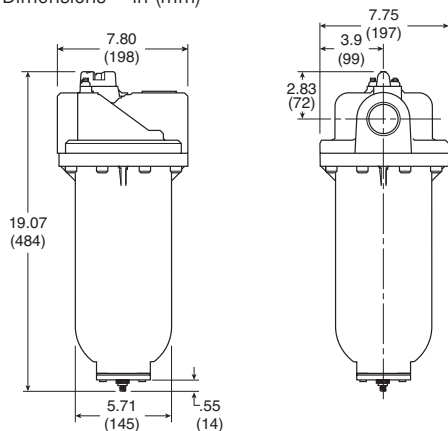
*Inlet pressure of 150 psig (10.3 bar). Pressure drop of 5 psig (0.3 bar).

**Without pressure indicator – Maximum supply pressure is 300 psig (20.7 bar).

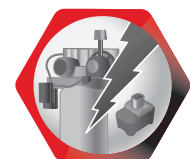
†Useful retention refers to volume below the quiet zone baffle.

DIMENSIONAL DATA

Dimensions – in (mm)

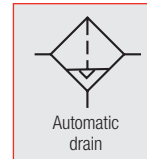


Part Number	Description
Filter Accessories	
GRP-95-734	Wall mount pipe clamp
FRP-95-593	Metal bowl with brass petcock drain
GRP-95-182	Brass petcock manual drain replacement kit
GRP-96-000-28	Manual override drain for autofloat drains with 1/8" NPT port



Power Supply

INGERSOLL RAND SUPER-DUTY SERIES COALESCING FILTERS



M35-0B-000

1-1/2" AND 2" PORTS

FEATURES

- Heavy-duty cast aluminum housings to withstand operating pressures up to 300 psig^{††}
- Differential pressure indicator to eliminate the guesswork of element replacement
- Unique drain mounting plate design offers trouble-free method for interchanging and installing external drains
- High-flow filter elements: coalescing, 1 micron and 0.01 micron

ORDERING

Port Size NPT	Airflow cfm	Bowl Size oz	Filter Element micron	Weight lb	Poly Bowl with Bowl Guard	Metal Bowl with Sight Gauge
Coalescing Filters						
1-1/2"	710	13.9	1.0	19.3	N/A	M35-0B-C28
2"	860	13.9	1.0	31.0	N/A	M37-0C-A28

PERFORMANCE SPECIFICATIONS

Flow Capacity*	1-1/2" — 710 cfm (335 dm ³ /s) 2" — 860 cfm (335 dm ³ /s)
Operating Temp	32° – 150° F (0° – 65.5° C)
Maximum Supply Pressure	Without DP2 — 300 psig (20.7 bar) ^{††} With DP2 — 150 psig (10.3 bar)
Standard Filtration	(B1) 1.0 micron, (C) 0.01 micron (D) 0.003 micron ppm / wt**
Useful Retention	(cm ³) 13.9 oz (411 cm ³)
Port Size	NPT / BSPP-G — 1-1/2", 2"
Weight	19.3 lb (8.7 kg)

*Inlet pressure 150 psig (10.3 bar). Pressure drop of 3 psig (0.2 bar).

**Filtration temperature of 70° F (21° C) @ 100 psig (6.9 bar) with typical compressor lubricating oil and protected by Type "C" filter.

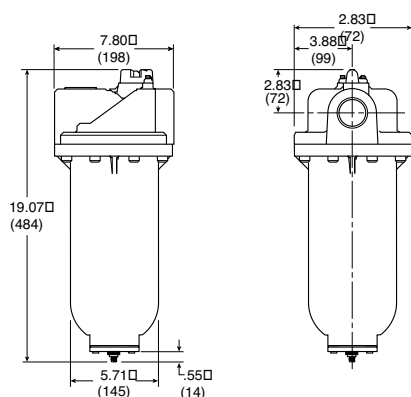
[†]Useful retention refers to volume below the quiet zone baffle.

^{††}Without Differential Pressure Indicator – Maximum supply pressure is 300 psig (20.7 bar).

DIMENSIONAL DATA

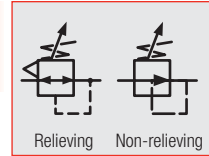
Dimensions – in (mm)

M35-0B-000



Part Number	Description
Coalescing Filter Accessories	
GRP-95-734	Wall mount pipe clamp
FRP-95-593	Metal bowl with brass petcock drain
GRP-95-182	Brass petcock manual drain replacement kit
GRP-96-000-28	Manual override drain for autofloat drains with 1/8" NPT port
MTP-95-504-28	Type "C" 0.01 micron coalescing element

INGERSOLL RAND SUPER-DUTY SERIES REGULATORS



R40-0B-000

1-1/4", 1-1/2", AND 2" PORTS

FEATURES

- Balanced valve design
- Standard self-relieving
- Two 1/4" NPT / BSPT-Rc gauge ports standard — can be used for additional outlet ports
- Piston operated
- High flow capacity

ORDERING

Port Size NPT	Airflow cfm	Weight lb	Relieving Type 0 – 125 psig
Regulators			
1-1/4"	800	6	R30-0A-000*
1-1/2"	1,200	10.8	R40-0B-000
2"	1,200	10.8	R40-0C-000

*Order gauge 100067 separately.

PERFORMANCE SPECIFICATIONS

Flow Capacity R30*	1-1/4" — 800 cfm (377 dm ³ /s)
Flow Capacity R40**	1-1/2", 2" — 1,200 cfm (566 dm ³ /s)
Operating Temp	32° – 150° F (0° – 65.5° C)
Max Supply Pressure	300 psig (20.7 bar)
Adjusting Range	0 – 125 psig (0 – 8.6 bar)
Pressure	0 – 180 psig (0 – 12.4 bar)
Port Size R30	NPT / BSPP-G — 3/4", 1", 1-1/4"
Port Size R40	NPT / BSPP-G — 1-1/2", 2"
Gauge Port (2 each)	NPT / BSPT-Rc — 1/4"
Weight R30	6 lb (2.7 kg)
Weight R40	10.8 lb (4.9 kg)

*Inlet pressure of 100 psig (6.9 bar). Secondary pressure of 80 psig (5.5 bar).

**Inlet pressure of 100 psig (6.9 bar). Secondary pressure of 85 psig (5.9 bar).

CAUTION

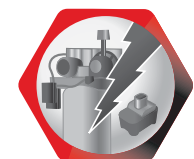
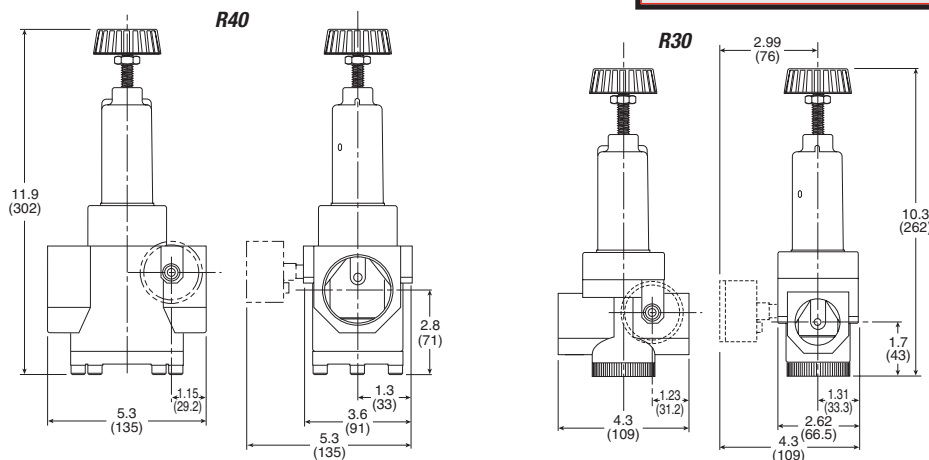
Regulator Pressure Adjustment — The working range of knob adjustment is designed to permit outlet pressures within their full range. Pressure adjustment beyond this range is also possible because the knob is not a limiting device. This is a common characteristic of most industrial regulators, and limiting devices may be obtained only by special design.

For best performance, regulated pressure should always be set by increasing the pressure to the desired setting.

Part Number	Description
Regulator Accessories	
29846	Gauge 0 – 15 psig
29863	Gauge 0 – 60 psig
29850	Gauge 0 – 160 psig
GRP-95-734	Wall mount pipe clamp

DIMENSIONAL DATA

Dimensions – in (mm)



Power Supply

INGERSOLL RAND SUPER-DUTY SERIES LUBRICATORS



L40-0A-000

1-1/4", 1-1/2" AND 2" PORTS

FEATURES

- Full view sight dome
- Siphon tube filter provides clean lubricant downstream
- Quick-disconnect clamp ring for easy bowl removal
- Adjustable oil feed
- Standard transparent bowl with metal bowl guard
- Can be filled while under pressure

ORDERING

Port Size NPT	Airflow cfm	Bowl Size oz	Weight lb	Poly Bowl with Bowl Guard	Metal Bowl with Sight Gauge
Lubricators					
1-1/4"	927	26.0	9.4	L40-0A-000	L40-0A-G00
1-1/2"	927	26.0	9.4	L40-0B-000	L40-0B-G00
2"	1186	26.0	10.2	L50-0C-000	L50-0C-G00

PERFORMANCE SPECIFICATIONS

Flow Capacity L40* 1-1/4", 1-1/2" — 927 cfm (437 dm³/s)

Flow Capacity L50* 2" — 1,186 cfm (560 dm³/s)

Operating Temp Plastic bowl —
32° – 125° F (0° – 52° C)
Metal bowl (L50) —
32° – 150° F (0° – 65.5° C)

Initial Drip Flow L40 .95 cfm

Max Supply Pressure Plastic bowl — 150 psig (10.3 bar)
Metal bowl (L50) — 200 psig (13.8 bar)

Min Flow for Lubrication 1 cfm @ 100 psig

Useful Retention** 26 oz (769 cm³)

Port Size L40 NPT / BSPP-G 1-1/4", 1-1/2"

Port Size L50 NPT / BSPP-G — 2"

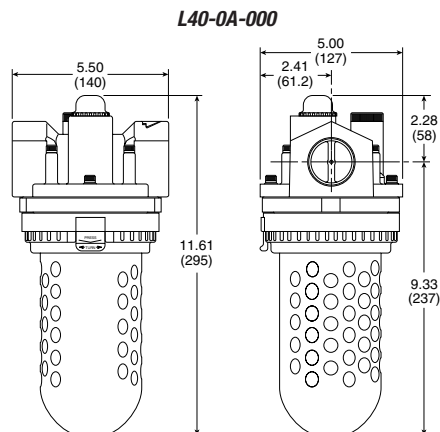
Weight 9.4 lb (4.3 kg)

*Inlet pressure of 120 psig (8.3 bar). Pressure drop of 5 psid (0.3 bar).

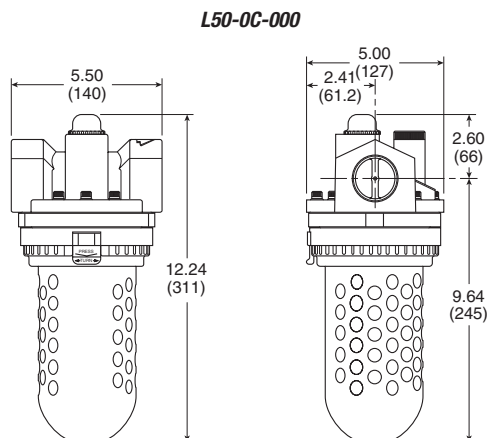
**Useful retention refers to usable volume.

DIMENSIONAL DATA

Dimensions – in (mm)



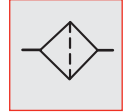
L40-0A-000



L50-0C-000

Part Number	Description
Lubricator Accessories	
GRP-95-734	Wall mount pipe clamp
FRP-95-593	Metal bowl with brass petcock drain
GRP-95-676	Metal bowl with sight gauge & manual drain
LRP-95-830	Polycarbonate bowl with bowl guard & manual drain
FRP-95-832	Polycarbonate bowl with bowl guard & manual drain
GRP-95-182	Brass petcock manual drain replacement kit
GRP-96-000-28	Manual override drain for autofloat drains with 1/8" NPT port
LRP-96-420	Force fill adapter
LRP-95-060	Repair kit

INGERSOLL RAND INLINE SERIES FILTERS



F01-02-000

1/4" PORTS

FEATURES

This small, aluminum inline filter is designed to provide protection for portable pneumatic hand tools. It weighs only 2 ounces with a throw-away filter element rated at 5 microns. Either port may be used as the inlet port. Flow is 22.0 cfm (10.3 dm³/s) at 150 psig (10.3 bar) inlet pressure with 5 psig (0.3 bar) pressure drop.

ORDERING

PERFORMANCE SPECIFICATIONS

Flow Capacity*	22.0 cfm (10.3 dm ³ /s)
Operating Temp	32° – 150° F (0° – 65.5° C)
Max Supply Pressure	200 psig (13.8 bar)
Standard Filtration	5 micron
Port Size	NPT / BSPT-Rc — 1/4"
Weight	0.13 lb (6 kg)

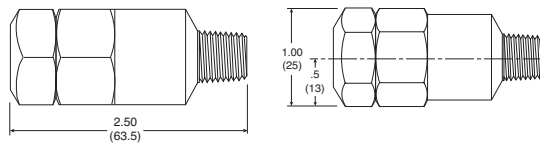
*Inlet pressure of 150 psig (10.3 bar). Pressure drop of 5 psid (0.3 bar).

Port Size NPT	Airflow cfm	Filter Element micron	Weight lb	Model
Filters				
1/4"	22	5	0.1	F01-02-000

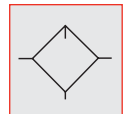
DIMENSIONAL DATA

Dimensions – in (mm)

F01-02-000



INGERSOLL RAND INLINE SERIES LUBRICATORS



L01-02-000

1/4" AND 3/8" PORTS

FEATURES

Inline lubricators assure proper lubrication for small pneumatic hand tools. These inline lubricators put the oil source right at the tool. Oil capacity is 1/4 oz. (1 ml) enough to last through an average 8-hour shift. This lubricator requires cyclical or intermittent airflow for proper operation, and consequently works best when installed at the tool inlet or on a short hose near the tool. **The L01 cannot be filled under pressure.**

PERFORMANCE SPECIFICATIONS

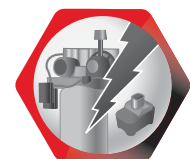
Flow Capacity*	1/4" — 36.0 cfm (17.0 dm ³ /s) 3/8" — 38.1 cfm (18.0 dm ³ /s)
Operating Temp	32° – 150° F (0° – 65.5° C)
Max Supply Pressure	200 psig (13.8 bar)
Useful Retention**	0.25 oz (7.4 cm ³)
Port Size	NPT / BSPT-Rc — 1/4", 3/8"
Weight	0.2 lb (0.1 kg)

*Inlet pressure of 150 psig (10.3 bar). Pressure drop of 5 psid (0.3 bar).

**Useful retention refers to usable volume.

Port Size NPT (female)	Airflow cfm	Bowl Size oz	Weight lb	Poly Bowl with Bowl Guard
Inline Lubricators				
1/4"	36	0.25	0.2	L01-02-000
3/8"	38.1	0.25	0.2	L01-03-000
1/2"	30	3	0.875	3LUB8
3/4"	45	5	1.5	6LUB12
3/4"	80	8	2	8LUB12

*1" Inline Lubricators available as well. Please contact Customer Service for details



Power Supply

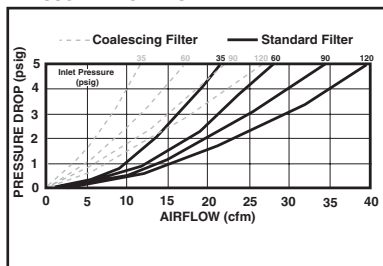
INGERSOLL RAND FRL FLOWCHARTS

The following flow data is provided to further help in the sizing / selection of individual filters, regulators, and lubricators or combination units.

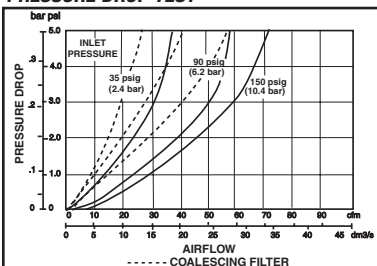
1. Determine the maximum system airflow requirements.
2. Determine the maximum allowable pressure drop at rated airflow in cfm.
3. Refer to the flowcharts to select the pipe size / series of FRL by choosing the curve that offers minimum pressure drop at the desired airflow in cfm.

FILTER FLOWCHARTS

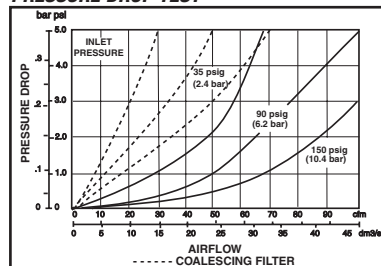
MINI SERIES FILTER
PRESSURE DROP TEST



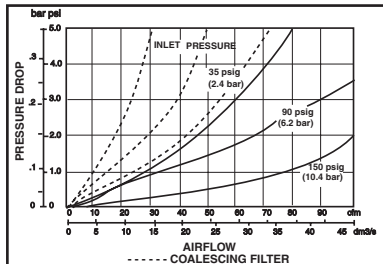
COMPACT SERIES 1/4" FILTER
PRESSURE DROP TEST



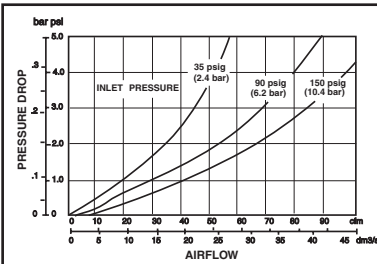
COMPACT SERIES 3/8" FILTER
PRESSURE DROP TEST



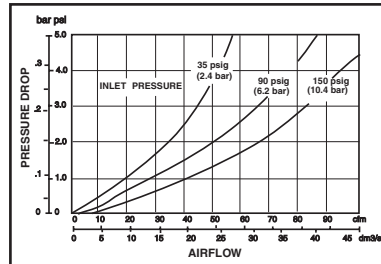
COMPACT SERIES 1/2" FILTER
PRESSURE DROP TEST



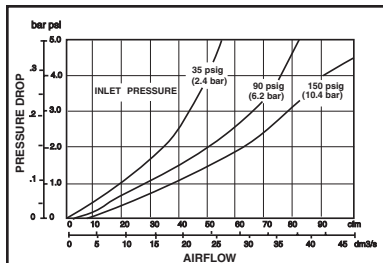
HEAVY-DUTY SERIES 1/2" FILTER
PRESSURE DROP TEST



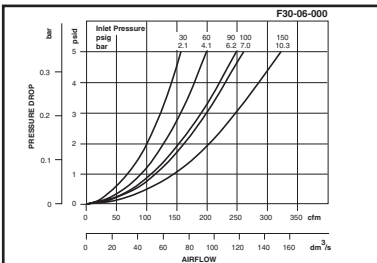
HEAVY-DUTY SERIES 3/4" FILTER
PRESSURE DROP TEST



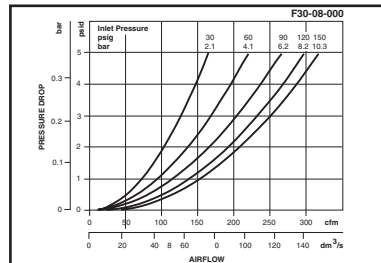
HEAVY-DUTY SERIES 1" FILTER
PRESSURE DROP TEST



JUMBO SERIES 3/4" STANDARD FILTER
PRESSURE DROP TEST



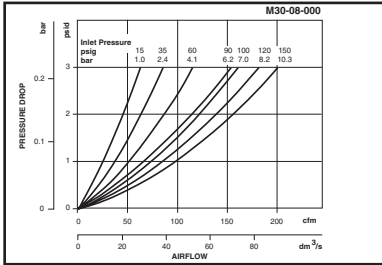
JUMBO SERIES 1" STANDARD FILTER
PRESSURE DROP TEST



FILTER FLOWCHARTS

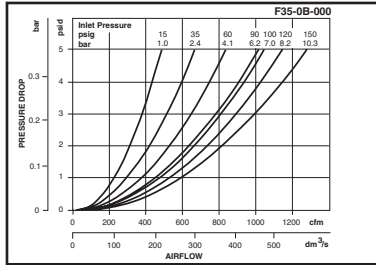
JUMBO SERIES 1" COALESCING FILTER

PRESSURE DROP TEST



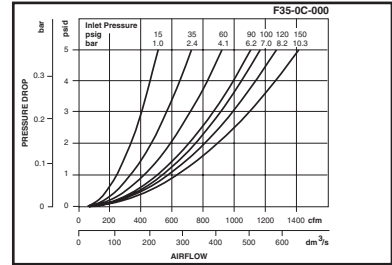
SUPER-DUTY SERIES 1-1/2" STANDARD FILTER

PRESSURE DROP TEST



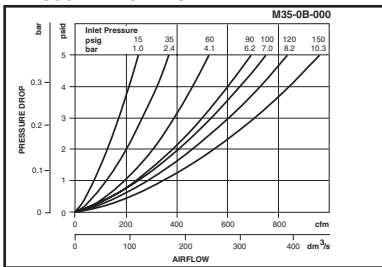
SUPER-DUTY SERIES 2" STANDARD FILTER

PRESSURE DROP TEST



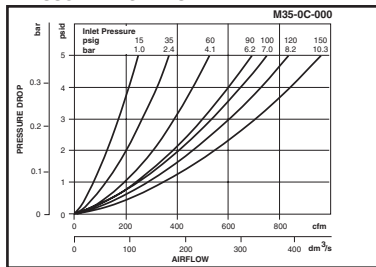
SUPER-DUTY SERIES 1-1/2" COALESCING FILTER

PRESSURE DROP TEST



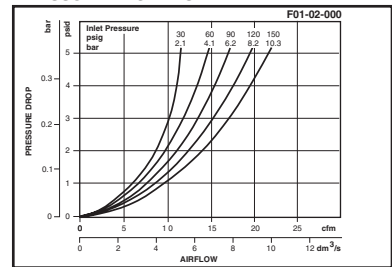
SUPER-DUTY SERIES 2" COALESCING FILTER

PRESSURE DROP TEST



INLINE SERIES 1/4" FILTER

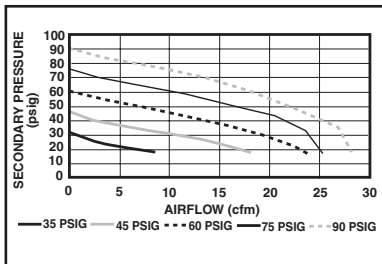
PRESSURE DROP TEST



REGULATOR FLOWCHARTS

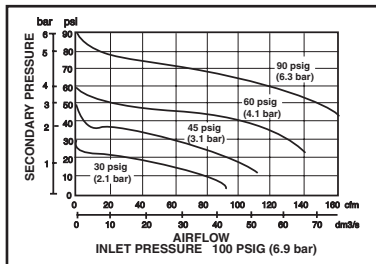
MINI SERIES REGULATOR

PRESSURE DROP TEST



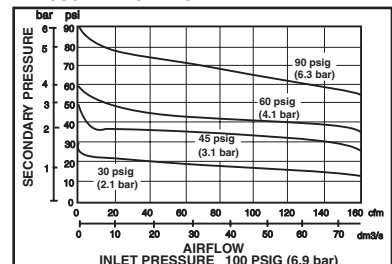
COMPACT SERIES 1/4" REGULATOR

PRESSURE DROP TEST



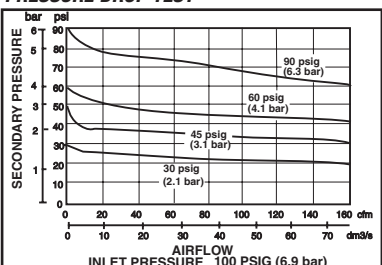
COMPACT SERIES 3/8" REGULATOR

PRESSURE DROP TEST



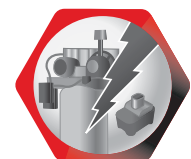
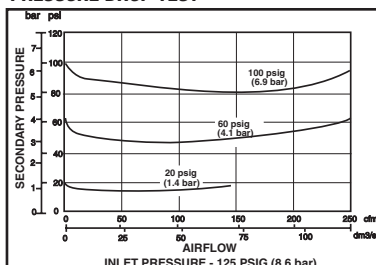
COMPACT SERIES 1/2" REGULATOR

PRESSURE DROP TEST



HEAVY-DUTY SERIES 1/2" REGULATOR

PRESSURE DROP TEST

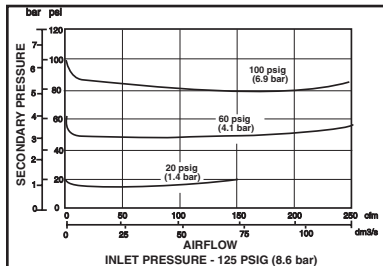


Power Supply

REGULATOR FLOWCHARTS

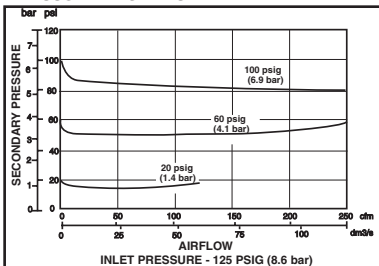
HEAVY-DUTY SERIES 3/4" REGULATOR

PRESSURE DROP TEST



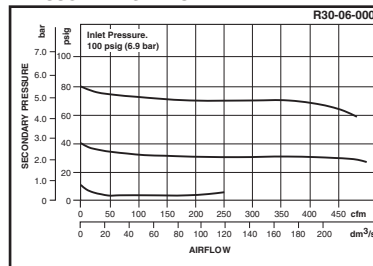
HEAVY-DUTY SERIES 1" REGULATOR

PRESSURE DROP TEST



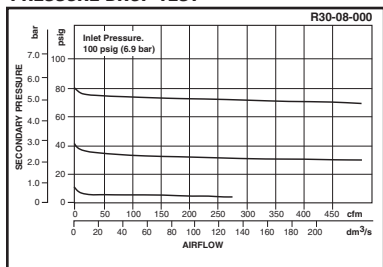
JUMBO SERIES 3/4" REGULATOR

PRESSURE DROP TEST



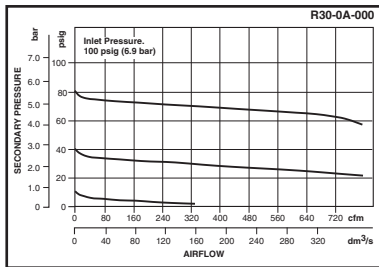
JUMBO SERIES 1" REGULATOR

PRESSURE DROP TEST



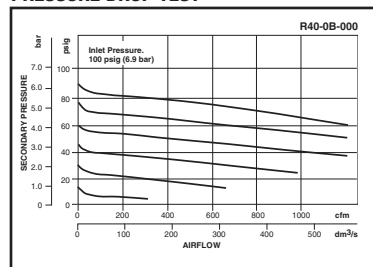
SUPER-DUTY SERIES 1-1/4" REGULATOR

PRESSURE DROP TEST



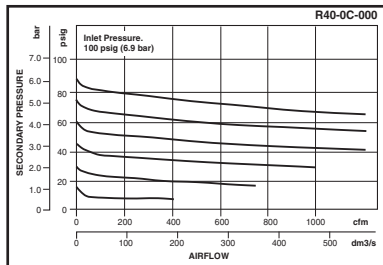
SUPER-DUTY SERIES 1-1/2" REGULATOR

PRESSURE DROP TEST



SUPER-DUTY SERIES 2" REGULATOR

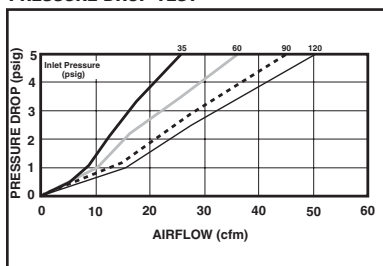
PRESSURE DROP TEST



LUBRICATOR FLOWCHARTS

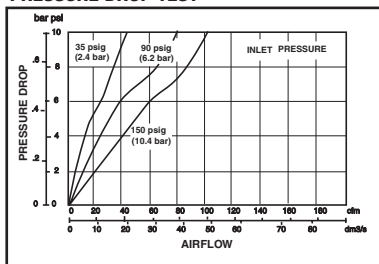
MINI SERIES LUBRICATOR

PRESSURE DROP TEST



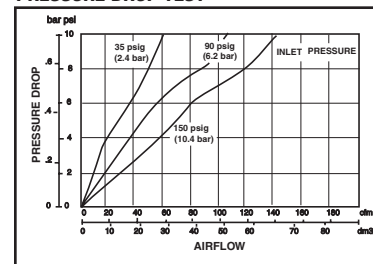
COMPACT SERIES 1/4" LUBRICATOR

PRESSURE DROP TEST



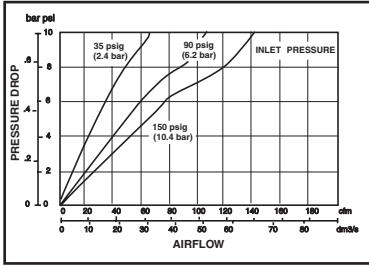
COMPACT SERIES 3/8" LUBRICATOR

PRESSURE DROP TEST

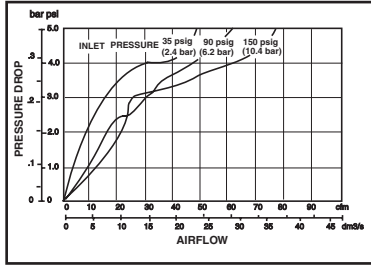


LUBRICATOR FLOWCHARTS

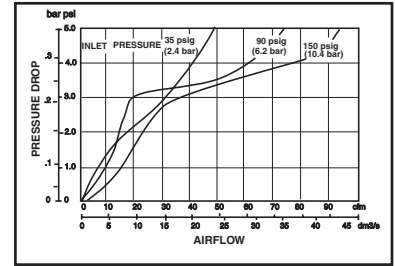
COMPACT SERIES
1/2" LUBRICATOR
PRESSURE DROP TEST



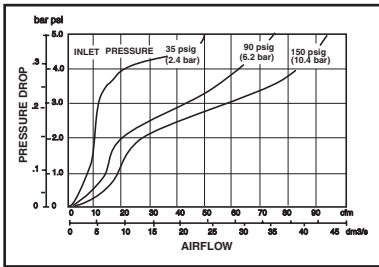
HEAVY-DUTY SERIES
1/2" LUBRICATOR
PRESSURE DROP TEST



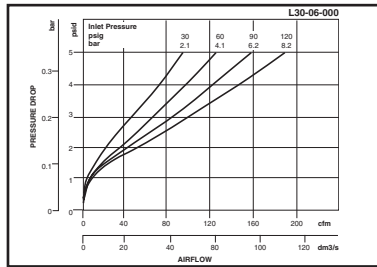
HEAVY-DUTY SERIES
3/4" LUBRICATOR
PRESSURE DROP TEST



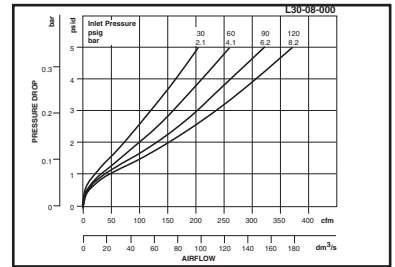
HEAVY-DUTY SERIES
1" LUBRICATOR
PRESSURE DROP TEST



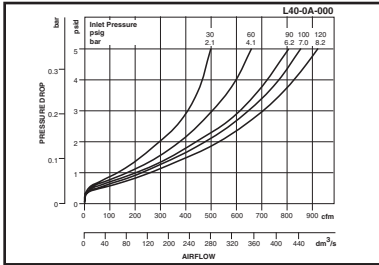
JUMBO SERIES
3/4" LUBRICATOR
PRESSURE DROP TEST



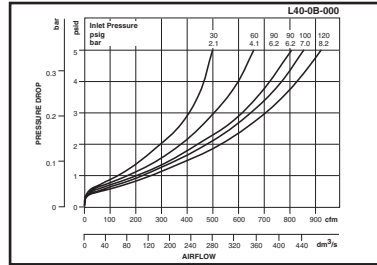
JUMBO SERIES
1" LUBRICATOR
PRESSURE DROP TEST



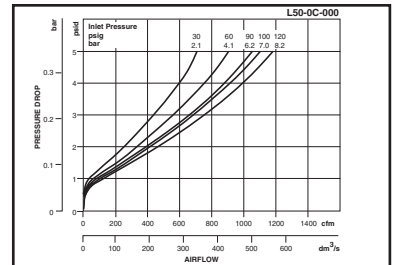
SUPER-DUTY SERIES
1-1/4" LUBRICATOR
PRESSURE DROP TEST



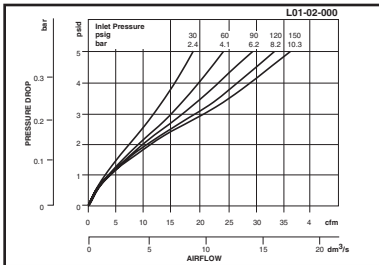
SUPER-DUTY SERIES
1-1/2" LUBRICATOR
PRESSURE DROP TEST



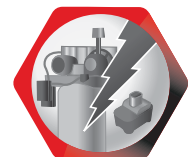
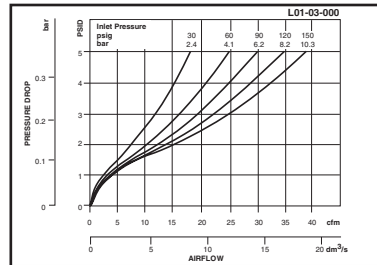
SUPER-DUTY SERIES
2" LUBRICATOR
PRESSURE DROP TEST



INLINE SERIES
1/4" LUBRICATOR
PRESSURE DROP TEST



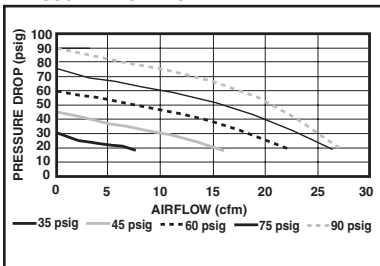
INLINE SERIES
3/8" LUBRICATOR
PRESSURE DROP TEST



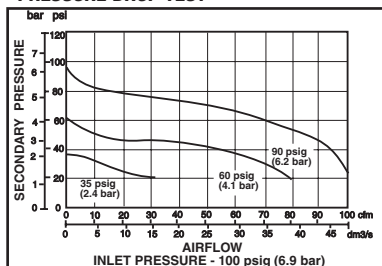
Power Supply

FILTER / REGULATOR / LUBRICATOR COMBO FLOWCHARTS

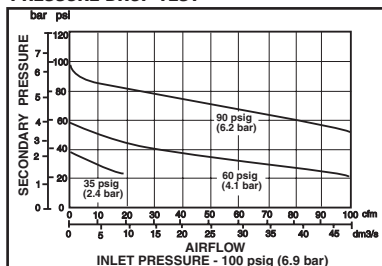
MINI SERIES FRL COMBO
PRESSURE DROP TEST



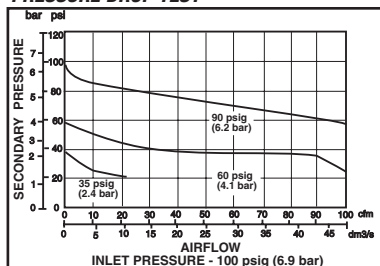
COMPACT SERIES 1/4" FRL COMBO
PRESSURE DROP TEST



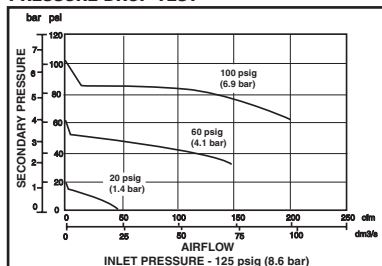
COMPACT SERIES 3/8" FRL COMBO
PRESSURE DROP TEST



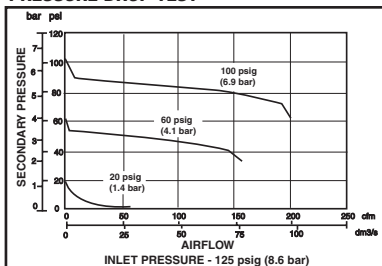
COMPACT SERIES 1/2" FRL COMBO
PRESSURE DROP TEST



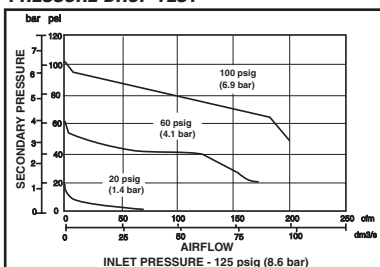
HEAVY-DUTY SERIES 1/2" FRL COMBO
PRESSURE DROP TEST



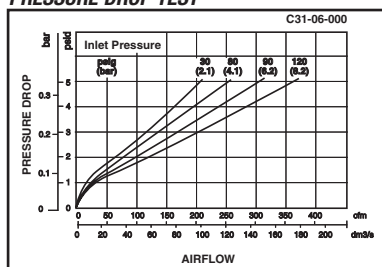
HEAVY-DUTY SERIES 3/4" FRL COMBO
PRESSURE DROP TEST



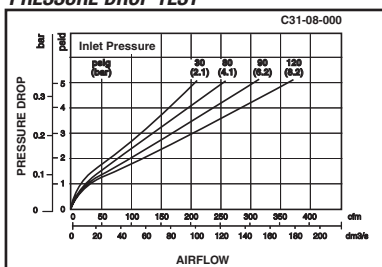
HEAVY-DUTY SERIES 1" FRL COMBO
PRESSURE DROP TEST



JUMBO SERIES 3/4" FRL COMBO
PRESSURE DROP TEST

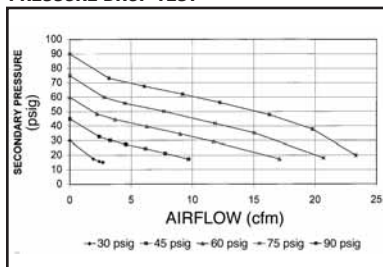


JUMBO SERIES 1" FRL COMBO
PRESSURE DROP TEST

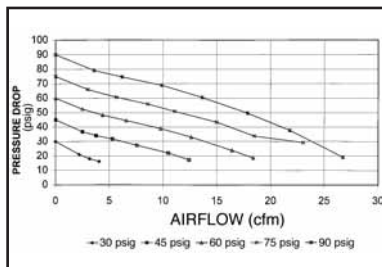


PIGGYBACK / LUBRICATOR COMBO FLOWCHARTS

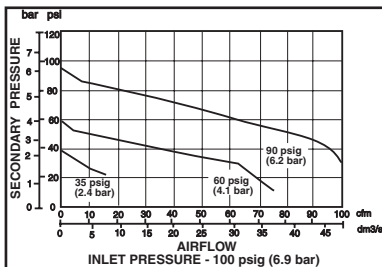
MINI SERIES 1/8" PIGGYBACK / LUBRICATOR COMBO
PRESSURE DROP TEST



MINI SERIES 1/4" PIGGYBACK / LUBRICATOR COMBO
PRESSURE DROP TEST



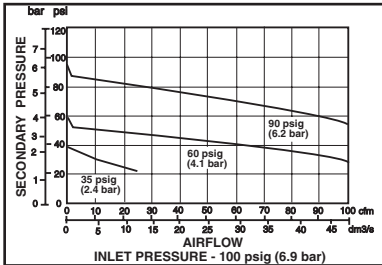
COMPACT SERIES 1/4" PIGGYBACK / LUBRICATOR COMBO
PRESSURE DROP TEST



PIGGYBACK / LUBRICATOR COMBO FLOWCHARTS

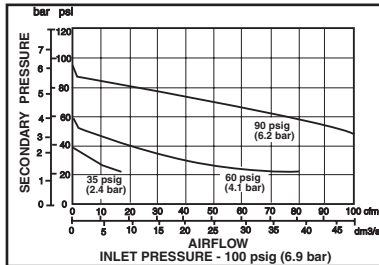
COMPACT SERIES 3/8" PIGGYBACK / LUBRICATOR COMBO

PRESSURE DROP TEST



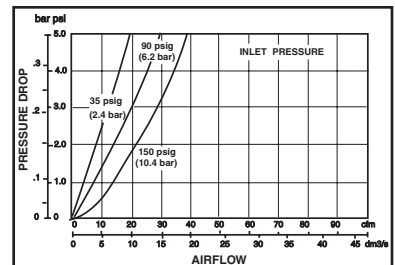
COMPACT SERIES 1/2" PIGGYBACK / LUBRICATOR COMBO

PRESSURE DROP TEST



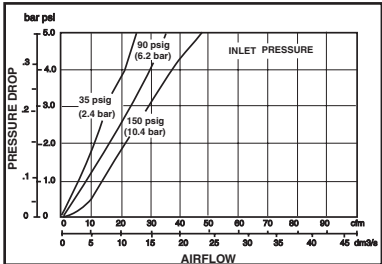
COMPACT SERIES 1/4" FILTER / LUBRICATOR COMBO

PRESSURE DROP TEST



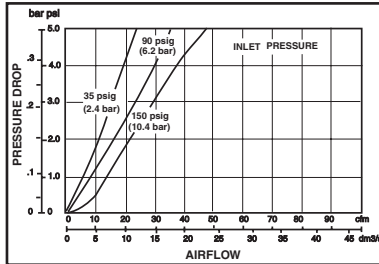
COMPACT SERIES 3/8" FILTER / LUBRICATOR COMBO

PRESSURE DROP TEST



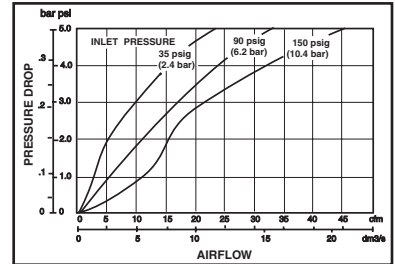
COMPACT SERIES 1/2" FILTER / LUBRICATOR COMBO

PRESSURE DROP TEST



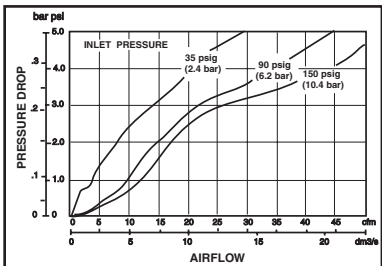
HEAVY-DUTY SERIES 1/2" FILTER / LUBRICATOR COMBO

PRESSURE DROP TEST



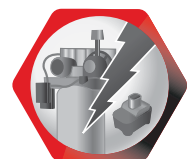
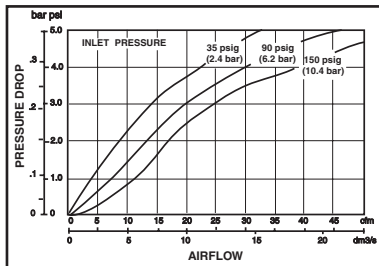
HEAVY-DUTY SERIES 3/4" FILTER / LUBRICATOR COMBO

PRESSURE DROP TEST



HEAVY-DUTY SERIES 1" FILTER / LUBRICATOR COMBO

PRESSURE DROP TEST

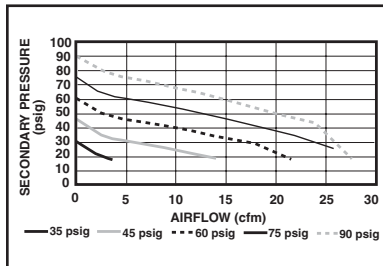


Power Supply

FILTER / REGULATOR FLOWCHARTS

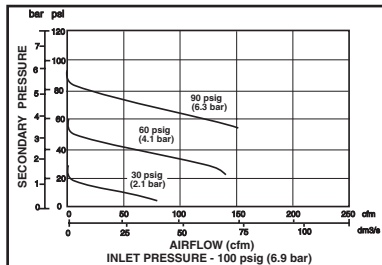
MINI SERIES PIGGYBACK / LUBRICATOR AND FILTER / REGULATOR

PRESSURE DROP TEST



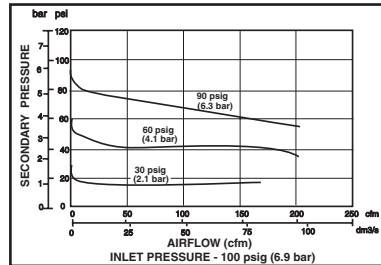
COMPACT SERIES 1/4" FILTER / REGULATOR

PRESSURE DROP TEST



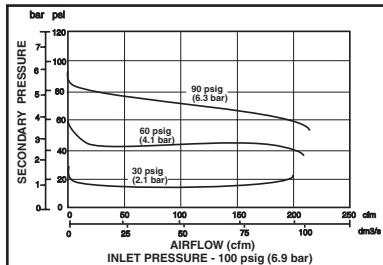
COMPACT SERIES 3/8" FILTER / REGULATOR

PRESSURE DROP TEST



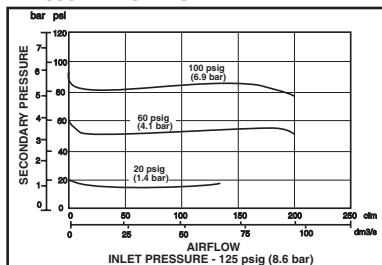
COMPACT SERIES 1/2" FILTER / REGULATOR

PRESSURE DROP TEST



HEAVY-DUTY SERIES 1" FILTER / REGULATOR

PRESSURE DROP TEST



LIQUIDATOR™ FILTERS



INGERSOLL RAND LIQUIDATOR™ FILTERS

Ingersoll Rand Liquidator™ filters extract large volumes of liquid contaminants, foreign particles, and condensation from air lines to deliver clean dry air to all of your operations. With Liquidator filters protecting your lines, you'll increase productivity, increase tool life, and cut maintenance costs.

INGERSOLL RAND LIQUIDATOR™ FILTERS

You can depend on Ingersoll Rand Liquidator™ filters to deliver clean, dry air to all of your operations. Liquidator filters are designed to extract large volumes of liquid contaminants, foreign particles, and condensation in air lines. They are ideal for critical applications in paint and body shops, food processing and packaging, hospital and dental equipment, process controls, printing plants, electronics clean rooms, sandblasting, and air tool operations.

Features

- Two-stage filtration cartridges remove 99% of liquid contaminants. One micron filter element removes 99% of all dirt particles one micron or larger.
- Quick release bowls enable easy cartridge replacement.
- Automatic float drain with manual override.
- Clear polycarbonate bowl with metal guard provides quick inspection.

Benefits

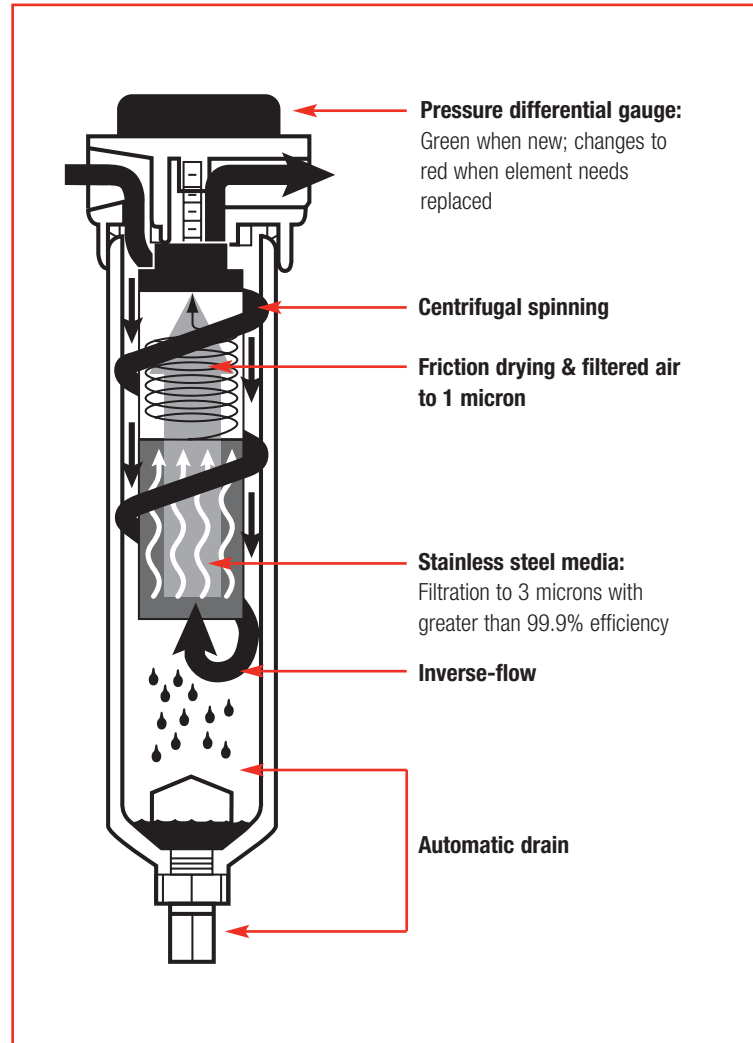
- Reduce product damage caused by liquid contaminants.
- Increase productivity.
- Increase tool life.
- Cut maintenance costs.

Sizing

The Liquidator requires a flow equal to or greater than 1/3 its rated cfm for efficient operation. Size accordingly. The filter should be within 50 feet of the application.

Maximum working pressures

- 150 psig with polycarbonate bowl.
- 200 psig with metal bowl.



LIQUIDATOR™ FILTERS

Stacked Liquidators — Solutions to Air Line Contaminants

- Air quality safe enough for your most demanding applications.
- Instrument air quality as clean as 0.01 micron.
- Air-logic dewpoint suppressed desiccant drier system without the hassles.

Stacked Liquidators with Polycarbonate Bowls



8844-W1-035

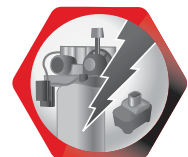
Part Number	Inlet Size NPT	Description	cfm
Stacked Liquidators with Polycarbonate Bowls			
8842-W1-020	1/4"	Stacked Liquidator, indicator, & automatic drain	20
8842-W1-035	1/4"	Stacked Liquidator, indicator, & automatic drain	35
8843-W1-035	3/8"	Stacked Liquidator, indicator, & automatic drain	35
8844-W1-035	1/2"	Stacked Liquidator, indicator, & automatic drain	35
8844-W1-060	1/2"	Stacked Liquidator, indicator, & automatic drain	60
8844-W1-090	1/2"	Stacked Liquidator, indicator, & automatic drain	90
8846-W1-090	3/4"	Stacked Liquidator, indicator, & automatic drain	90
8848-W1-150	1"	Stacked Liquidator, indicator, & automatic drain	150

Stacked Liquidators with Metal Bowls



8844-W1-M60

Part Number	Inlet Size NPT	Description	cfm
Stacked Liquidators with Metal Bowls			
8844-W1-M60	1/2"	Stacked Liquidator, indicator, & automatic drain	60
8846-W1-M90	3/4"	Stacked Liquidator, indicator, & automatic drain	90
8848-W1-M150	1"	Stacked Liquidator, indicator, & automatic drain	150
8830-W1-000	1-1/4"	Stacked Liquidator & automatic drain	400
8852-W1-M300	1-1/2"	Stacked Liquidator, indicator, & automatic drain	300
8832-W1-000	1-1/2"	Stacked Liquidator & automatic drain	400
8854-W1-M300	2"	Stacked Liquidator, indicator, & automatic drain	300
8834-W1-000	2"	Stacked Liquidator & automatic drain	700



Power Supply

LIQUIDATOR™ FILTERS

Part Number	Inlet Size NPT	Description	cfm
Side-by-side Liquidators			
8828-W2-000	1"	Side-by-side Liquidators, polycarbonate bowl, & automatic drain	175
8828-W2-M00	1"	Side-by-side Liquidators, metal bowl, & automatic drain	175

Part Number	Inlet Size ASA	Description	cfm
ASA Flange Liquidators			
8836-W1-M2500	3"	Flanged main line separator filter	2,500
8848-W1-M2500	4"	Flanged main line separator filter	2,500
8860-W1-M5500	6"	Flanged main line separator filter	5,500

Desiccant Driers and Prep Station



PDS-2000

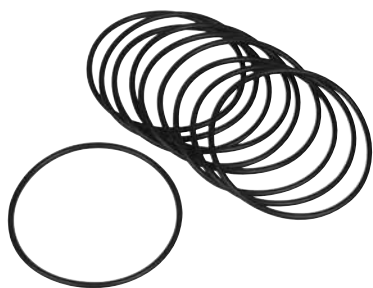
Part Number	Inlet Size NPT	Description	cfm
Desiccant Driers and Prep Station			
PDS-2000	1/2"	Paint booth desiccant drier system with 1/4" regulator & gauge	25
EAD-6000	1/2"	Prep station air drier with 1/4" regulator & gauge	60

LIQUIDATOR™ FILTERS

Used With Series	Part Number			Coalescing Element	Desiccant Cartridges
	First Stage	Second Stage	First & Second Stage		
Replacement Cartridges and Elements					
8823	8823-5	8823-15	N/A	N/A	N/A
8824	8824-6	8824-16	N/A	N/A	N/A
8826	8826-7	8826-17	N/A	N/A	N/A
8828	8826-8	8826-18	N/A	N/A	N/A
8830, 8832	8828-9	8828-19	N/A	N/A	N/A
8834	8829-1	8829-10	N/A	N/A	N/A
8842-W1-035 / 8843-W1-035 / 8844-W1-035	N/A	N/A	8842-035	N/A	N/A
8844-W1-060 / EAD-6000	N/A	N/A	8844-060	N/A	N/A
8844-W1-090 / 8846-W1-090	N/A	N/A	8846-090	N/A	N/A
8848-W1-150	N/A	N/A	8848-150	N/A	N/A
PDS-2000	N/A	N/A	8844-460	N/A	8844-DES*
EAD-6000	N/A	N/A	8844-060	8844-060C	N/A

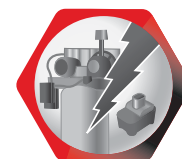
*Available in package of six — order 8844-DES-6.

Repair Kit Bowl O-rings



GRP-95-257

Used With Series	Part Number	
	First Stage	Second Stage
Repair Kit Bowl O-rings		
8822-U2-009	GRP-95-264	GRP-95-264
8822-W2-009	GRP-95-009	GRP-95-264
8822-W2-020	GRP-95-009	GRP-95-009
8822-W2-000, 8823, 8824	GRP-95-257	GRP-95-257
8826, 8828	GRP-95-256	GRP-95-256
8830, 8832, 8834	GRP-95-289	N/A
8842-W1-035 / 8843-W1-035 / 8844-W1-035 8844-W1-060 / M60	GRP-95-257	N/A
8844-W1-090 / 8846-W1-090 / 8848-W1-150 M90-M150	GRP-95-256	N/A



Power Supply

LIQUIDATOR™ FILTERS

Replacement Polycarbonate Bowls

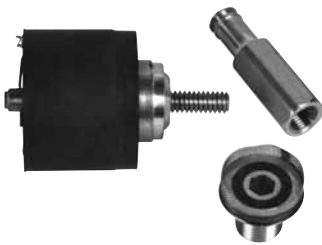


MRP-95-941

Used With Series	First Stage			Second Stage	
	Part Number	Capacity oz	Drain Type	Part Number	Capacity oz
Replacement Polycarbonate Bowls					
8822-U2-009	GRP-95-856**	1	Umbrella	GRP-95-856**	1
8822-W2-009	FRP-95-017**	5	Automatic	GRP-95-856**	1
8822-W2-020	FRP-95-017**	5	Automatic	GRP-95-856**	1
8822-W2-000, 8823-W2-000, 8824-W2-000	N/A	N/A	Automatic	FRP-95-831	11
8826-W2-000, 8828-W2-000	MRP-95-941	40	Automatic	FRP-95-832	25
8842-W1-035, 8843-W1-035, 8844-W1-035	FRP-95-772	18	N/A	N/A	N/A
8844-W1-060, 8846-W1-090, 8848-W1-150	MRP-95-941	40	N/A	N/A	N/A
X01-04-000 Automatic Drain Unit	XRP-95-746**	32	Automatic	N/A	N/A

**Order drain and guard separately; other units listed are furnished with drain and guard.

Drain Kits



XRP-95-978

Used With Series	Complete Auto Drain Units		Replacement Drain Kits	
	Polycarbonate	Metal	Automatic	Manual
Drain Kits				
8822-U2-009	N/A	N/A	N/A	GRP-95-18
8822-W2-009, 020	N/A	N/A	XRP-95-978	GRP-95-18
8822-W2-000, 8823, 8824, 8826, 8828	N/A	N/A	XRP-95-978	FRP-95-610
8830, 8832, 8834	X01-04-000	X01-04-M00	XRP-96-244	N/A
Schraeder Check Valve Kit	N/A	N/A	N/A	GRP-96-10

AIR LINE VALVES AND GAUGES



INGERSOLL RAND AIR LINE VALVES AND GAUGES

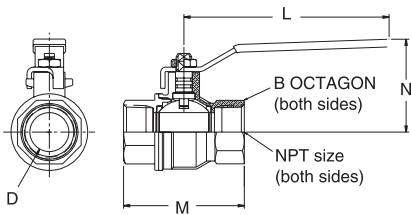
Maintaining consistent air pressure throughout the entire system is crucial for maximum performance and productivity. Ingersoll Rand carries a full line of durably built valves, strainers, and pressure gauges that ensure you've got the power you need when you need it.

BALL VALVES



- Provide extended service life and resist failure caused by severe temperature applications
- Full-flow design assures maximum system efficiency
- Highly inert PTFE seats provide resistance to chemical corrosion
- Two Viton o-rings at the stem provide maximum safety with no maintenance
- Blow-out proof system, chrome-plated brass ball, and specifically designed handle enable increased turning leverage for easy opening and closing
- Available in female pipe sizes

Ball Valves



54634431

Part Number	Size NPT	B	L	M	N	D
Ball Valves						
54634431	1/2"	0.98"	5.1"	2.32"	1.69"	0.59"
54634449	3/4"	1.22"	5.98"	2.52"	1.97"	0.75"
54634456	1"	1.57"	6.32"	3.19"	2.13"	0.945"
54634464	1-1/4"	1.93"	8.05"	3.66"	3.98"	1.18"
54634472	1-1/2"	2.13"	8.23"	4.02"	4.43"	1.5"
54634480	2"	2.69"	8.58"	4.76"	5.02"	1.89"
54634498	2-1/2"	3.35"	13.11"	6.14"	5.2"	2.52"
54634514	3"	3.89"	13.52"	6.97"	5.51"	3"

Please be aware that ball valves are intended for use in the fully open or closed positions. Depending on application conditions, throttling of the valve may result in premature seal failure and/or inability to turn the valve handle.

ARO-STOP® VALVE

ARO-STOP® valves shut off air to pump when material containers are empty or fluid lines are broken. They also feature quick-set and reset capabilities.

ARO-STOP® Valves



635040



23644-400

Part Number	Air Inlet NPT (F)	Air Outlet NPT (F)	Pressure Range psi (bar)	For Use With
ARO-STOP Valves				
635040*	1/4"	1/4"	20 – 175 (1.4 – 12)	Thunder Series, Series 200, & 1/2" diaphragm pump (includes connecting hose)
23644-400	1/2"	1/2"	20 – 175 (1.4 – 12)	Series 425, Series 600, & 1" diaphragm pump

*Maximum flow rate of 23 cfm @ 90 psi.

Protect Your Investment

Pump “runaway” results when your material container is depleted and the pump cycles fast and needlessly. Protect your pump investment – with an ARO®-STOP valve.



LOW LEVEL CUT-OFF

Low level cut-off prevents air from entering the fluid line by closing the pump intake when material supply is exhausted. Cut-off also threads to the bottom of siphon tube for immersion in fluid, and serves as a check valve.

Low Level Cut-off



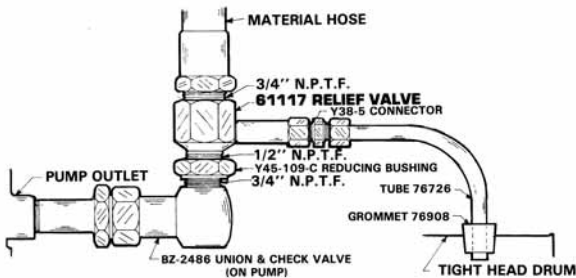
640153

Part Number	For Use With
Low Level Cut-off*	
640153	Series 200 and Series 425 pumps with 1-1/2" NPT (F) threads, Thunder Series 3" air motor pumps

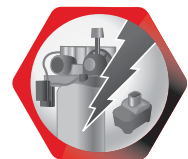
*Not for pumps that exceed 6 gpm.

PRESSURE RELIEF VALVE / VALVE KIT

Pressure Relief Valve / Valve Kit



Part Number	Description
Pressure Relief Valve / Valve Kit	
61117	Pressure relief valve is used on material outlet side of pump to automatically allow bleed-back of material to container in applications where thermal expansion is present
61118	Pressure relief valve kit includes 61117 relief valve reducing bushing, compression coupling, 3' of plastic drain tubing, & grommet



Power Supply

PIPE LINE VALVE

A sturdy, quick-acting valve that goes from full flow to off with only a 1/4 turn.

Pipe Line Valve



Part Number	NPT	Description
Pipe Line Valve		
C04-291	3/4"	4-way shut-off valve

PIPE LINE AIR STRAINERS

Our strong and efficient air strainers are designed to permit free passage of air. They can be cleaned quickly by removing the plug from the strainer cap and turning air on momentarily.

Pipe Line Air Strainers



Part Number	Female NPT
Pipe Line Air Strainers	
EU-A267	3/4"
HU-A267AT	1"
K4U-A267AT	1-1/4"
ST900-267-24	1-1/2"
ST900-267-32	2"

PRESSURE GAUGES

Pressure Gauges



Part Number	Pressure Rating psi	kPa	Port Size	Dial Size	Mounting Type
Pressure Gauges					
32245953	15	100	0.25"	2.5"	Center back mount
32231177	30	200	0.25"	2.5"	Center back mount
32270407	30	200	0.25"	2.5"	Center back mount
32270415	60	400	0.25"	2.5"	Center back mount
32029076	100	600	0.25"	2.5"	Center back mount
38001814	100	600	0.25"	2.5"	Lower mount
37997731	100	600	0.25"	4"	Lower mount
32270316	160	1,000	0.25"	2.5"	Center back mount
32299190	200	1,400	0.25"	2.5"	Center back mount
38485454	200	1,400	0.25"	2.5"	Lower mount
37993722	200	1,400	0.25"	4"	Lower mount
32026361	300	2,000	0.25"	2.5"	Center back mount
38485462	300	2,000	0.25"	2.5"	Lower mount
37993730	300	2,000	0.25"	4"	Lower mount
32121055	600	4,000	0.25"	2.5"	Center back mount
37999000	600	4,000	0.25"	4"	Lower mount
37998994	1,000	7,000	0.25"	2.5"	Center back mount
37998986	1,000	7,000	0.25"	4"	Lower mount
32270423	1,500	10,000	0.25"	2.5"	Center back mount
32026379	2,000	14,000	0.25"	2.5"	Center back mount
32024796	3,000	20,000	0.25"	2.5"	Center back mount
32270324	10,000	60,000	0.25"	2.5"	Center back mount

Pressure gauges are critical to any installation. Ingersoll Rand offers a full range (15 psi – 10,000 psi) of liquid-filled pressure gauges. Ingersoll Rand gauges are built in a durable stainless steel case with a vent plug and copper alloy fittings.

NEEDLE PRESSURE GAUGE

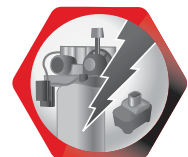
Needle Pressure Gauge



Part Number	Description
Needle Pressure Gauge	
NPG-A1	Gauge kit
NPG-2	Needle & cleaning wire kit

Utilizing our needle pressure gauge is one of the simplest ways to check actual air pressure of the equipment while it is operating, determining whether or not the equipment is receiving adequate air pressure. The hypodermic needle easily pierces any size rubber air hose, and, if properly inserted, will not cause a leak when withdrawn.

The Ingersoll Rand needle pressure gauge kit consists of a convenient carrying pouch, an easy-to-read pressure gauge, a needle guard, two hypodermic needles, and two cleaning wires.



Power Supply

FLUID PRODUCT ACCESSORIES



INGERSOLL RAND FLUID PRODUCT ACCESSORIES

All Ingersoll Rand lubrication equipment and accessories are designed to the same high standards of quality and performance as our tools and air compressors. We offer a full range of products and accessories that will keep all types of fluids moving efficiently through your operation.

OIL PUMP ACCESSORIES

5-gal Tube



65986



91020-1

Part Number	Description	For Use With
5-gal Tube		
65986	6' (1.8 m), 3/4" ID hose with 3/4" NPT (M) outlet; Neoprene over Thiokol; includes 91020-1 tube	Wall-mounted stub pumps

55-gal Tubes



61601



66779

Part Number	Description	For Use With
55-gal Tubes		
65986-1	6' (1.8 m), 3/4" ID hose with 3/4" NPT (M) outlet; Neoprene over Thiokol; includes 91020-2 tube	Drum cover or closed drum with 2" bung opening
61601	Speeds 55-gal drum change-over; no need to handle pump; includes 622651-06 hose, Y45-24-C adapter bushing, Y43-5-C street elbow, and 65109 (36"), carbon steel suction tube; 3/4" NPT (F) fluid outlet	Wall-mounted stub pumps
66779	For pumping from 55-gal drum; PVC tube has foot valve for positive priming; includes 76193 bung adapter, adjustable NPT (F) fluid outlet	Stub pumps and diaphragm pumps
61409	For pumping from 55-gal drum; 90° PVC siphon tube, 35-1/2" (901.7 mm) long with 2" bung adapter for 55-gal drums; can easily be cut to desired length; 1/2" NPT (F) outlet	1/2" diaphragm pumps and stub pumps

Part Number	Description	For Use With
275-gal Containers		
66779-2	For pumping from 275-gal tanks; PVC stub pumps and diaphragm tube has foot valve for positive pumps; includes 76193 bung adapter, adjustable to approximately 48-1/4"; 1" NPT (F) fluid outlet	275-gal bulk tanks with 2" bung mount; maximum tank depth 48"

Inlet Material Filters



651830



66480

Part Number	Description	For Use With
Inlet Material Filters		
651830	Keeps foreign matter from entering lower pump end	Adapts to 91020-1 or -2 pipe extension
66480	Filter and check valve assembly constructed of 316 stainless steel, assembly has 1" NPT (F) connections and 40-mesh screen; 4-3/4" (121 mm) x 2-1/8" (54 mm) in diameter	Used with suction tubes when fluid is corrosive and viscosity requires a foot valve for positive priming

OIL PUMP ACCESSORIES

Siphon Hoses



622702-6

Part Number	Hose Size ID	Hose Length ft (m)	Hose Material	Fluid Inlet NPT (M)	Fluid Outlet (NPT)	For Use With
Siphon Hoses, Stainless Steel Fittings						
622702-6	1"	6' (1.8)	Nylon tube with oil-resistant cover	1"	1"	Stainless steel siphon tube
622702-10	1"	10' (3)	Nylon tube with oil-resistant cover	1"	1"	Stainless steel siphon tube
Siphon Hose, Carbon Steel Fitting						
622701-6	1"	6' (1.8)	Nylon tube with oil-resistant cover	1"	1"	Carbon steel siphon tube

Wall Mount Bracket



61113

Part Number	Description	For Use With
Wall Mount Bracket		
61113	2" NPT (F) opening for bung type pumps; bracket can slip over rim of open-head drum or wall-mounted	55-gal bung type pumps and Series 200, Thunder, and 425 stub pumps fitted with bung adapters
66100	Wall mount bracket with removable mounting plate	Series 425, 4" stroke pumps
66101	Wall mount bracket with removable mounting plate	Series 425, 6" stroke pumps

Bung Adapters



67145-X

67145-X-B

Part Number	Description	For Use With
Bung Adapters		
60870	2" (M) for use with 2-1/8" siphon tube	Series 200, 1:1 ratio immersed pumps Series 425, 9:1 ratio immersed pumps
67145-3-B	2" (M)	Thunder Series, 3:1 oil pumps
67145-4-B	2" (M)	Thunder Series, 5:1 oil pumps

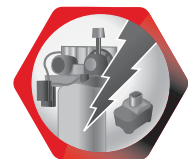
Bung Adapter Seal Kits



67088-4

Part Number	Description	For Use With
Bung Adapter Seal Kits		
67088	Water-tight seal for outdoor application	Thunder Series pumps
67088-3	Water-tight seal kit includes 67145-3 bung adapter and 67088 seal kit	Thunder Series, 3:1 oil pumps
67088-4	Water-tight seal kit includes 67145-4 bung adapter and 67088 seal kit	Thunder Series, 5:1 oil pumps

Part Number	Description	For Use With
Dispensing Hoses		
623501-6	Medium pressure (2,000 psi) material hose 6' 1/2" NPT	Thunder oil
623501-8	Medium pressure (2,000 psi) material hose 8' 1/2" NPT	Thunder oil



Power Supply

GREASE PUMP ACCESSORIES

Dollies for 16-gal Drums



640057



640058-2

Part Number	Description
Dollies for 16-gal Drums	
640057	Platform-type dolly has four swivel casters and three drum clamps; or use with steel or fiber drums
640058-2	Band-type dolly has four rubber-wheeled casters and screw clamp; for use with steel or fiber drums

Hand Trucks for 16-gal Drum



Part Number	Description
Hand Trucks for 16-gal Drum	
640149	Three-wheel truck includes hinged handle, swivel-type front wheel, and two 6" rubber rear wheels

Bung Adapters



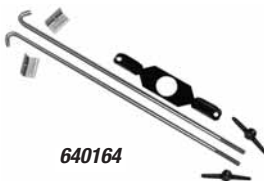
67145-1

Part Number	Description	For Use With
Bung Adapters		
4148	2" (M) for use with 1-7/8" siphon tube	Series 425, 50:1 ratio grease pumps
67145-1	2" (M)	Thunder Series, 60:1 grease pumps
67145-2	2" (M)	Thunder Series, 50:1 grease pumps

Part Number	Description	For Use With
Dispensing Hoses		
624201-6	High pressure (5,000 psi) material hose 6' 1/8" NPT	Thunder grease
624401-8	High pressure (4,000 psi) material hose 8' 3/8" NPT	Thunder grease
624201-10	High pressure (5,000 psi) material hose 10' 1/8" NPT	Thunder grease

COVER TIE-DOWN RODS

Cover Tie-Down Rods



640164



640091

Part Number	Description	For Use With
Cover Tie-Down Rods For 16-gal / 120-lb Drums		
640164	Tie-down bracket kit fixes and holds down drum cover; includes brackets, rods, mounting hardware; use with 94421 cover	Thunder Series pumps
640091	Set of two tie-down rods and mounting brackets; use with 66492 cover	Series 200 and 425, 16-gal / 120-lb drum covers

DRUM COVERS

5-gal / 35-lb Pail



94420

Part Number	Description	For Use With
5-gal / 35-lb Pail		
94420	2" NPT (F) bung opening and three hold-down screws; fits 10.23" – 12" OD drums	Thunder 5-gal bung pumps

16-gal / 120-lb Drums



94421

Part Number	Description	For Use With
16-gal / 120-lb Drums		
66492	Has bung opening, mounting holes, and tie-down brackets; order tie-down rods separately; fits 12.75" – 15" OD drums	Models 662402 and 662409
94421	2" NPT (F) bung opening and three hold-down screws; fits 13-1/8" – 14-7/8" OD drums	Thunder 16-gal / 120-lb bung pumps

55-gal / 400-lb Drum



94422

Part Number	Description	For Use With
55-gal / 400-lb Drum		
94422	2" NPT (F) bung opening and three hold-down screws; fits 21-7/8" – 23-5/8" OD drums	Thunder 55-gal bung pumps

PUMP LIFTS

Single-post Lifts

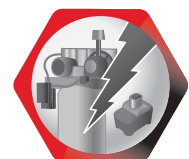


640225



640067

Part Number	Description	For Use With
Single-post Lifts		
640225	Air-operated lift for 16-gal / 120-lb container size; extended height 62" (1.6 m); suggested drum cover 94421	Thunder Series, LM2250E-31, LM2350E-31, LM2305A-31
640067	Single-acting cylinder for easy 55-gal / 400-lb drum change-over; requires 71060 drum cover; extended height 92" (2.3 m)	Series 425, Thunder Series



Power Supply

FOLLOWER PLATES

35-lb Tapered Pails
(fit 10" – 11" ID drums)



640095-2-B

Part Number	Wiper Seal Material	OD of Pump Tube To Be Fitted	For Use With
35-lb Tapered Pails (fit 10" – 11" ID drums)			
640095-1-B	Rubber	1"	Thunder 60:1
640095-2-B	Rubber	1-1/2"	611406, Thunder 50:1
640095-3-B	Rubber	2"	Hand pumps

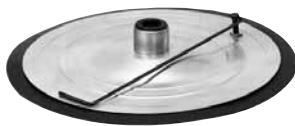
120-lb Drums
(fit 13" – 14" ID drums)



640162

Part Number	Wiper Seal Material	OD of Pump Tube To Be Fitted	For Use With
120-lb Drums (fit 13" – 14" ID drums)			
640027	Buna-N	2"	Hand pumps
640152	Buna-N	1-7/8"	Series 425, 50:1
640152-1	Buna-N	2-1/8"	Series 600, 100:1
640162	Buna-N	1"	Thunder, 60:1
640165	Buna-N	1-1/2"	Thunder, 50:1, fits 10.5" – 13-7/8" drums

400-lb Drums
(fit 20" – 23" ID drums)



640015-1

Part Number	Wiper Seal Material	OD of Pump Tube To Be Fitted	For Use With
400-lb Drums (fit 20" – 23" ID drums)			
640015-2	Buna-N	1-7/8"	Series 425, 50:1
640015-5	Buna-N	2-1/8"	Series 600, 100:1
640015-1	Buna-N	1-1/2"	Thunder 50:1

DIAPHRAGM PUMP ACCESSORIES

5-gal Suction Tube



Part Number	Description	For Use With
5-gal Suction Tube		
91020-1	1/2" galvanized suction tube for 5-gal containers; 16" long	1/2" diaphragm pumps

55-gal Suction Tubes



Part Number	Description	For Use With
55-gal Suction Tubes		
65986-1	6' (1.8 m); 3/4" ID hose with 3/4 NPT (m) outlet; Neoprene over Thiokol	Drum cover for closed drum with 2" bung opening
66779	For pumping from 55-gal drum; PVC tube has foot valve for positive priming; includes 76193 bung adapter, adjustable to 35-1/2"; 1" NPT (F) fluid outlet	Stub pumps and diaphragm pumps
61409	For pumping from 55-gal drum; 90° PVC tube, 35-1/2" (901.7 mm) with 2" bung adapter for 55-gal drums; can easily be cut to desired length; 1/2" NPT (F) outlet	1/2" diaphragm pumps and stub pumps
61412	For pumping from 55-gal drum; threads directly into pump inlet; includes 2" bung adapter 35-1/2" (901.7 mm) long; schedule 80 PVC pipe can easily be cut to desired length; 1/2" NPT (M) fluid outlet	1/2" diaphragm pumps

Wall Mount Bracket



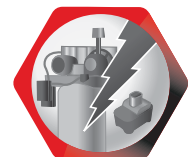
Part Number	Description	For Use With
Wall Mount Bracket		
76763	Wall mount bracket allows pump to be located convenient to container	1/2" diaphragm pumps
66100	Wall mount bracket has removable mounting plate	1" diaphragm pumps
62133	Wall mount bracket	1-1/2" diaphragm pumps

55-gal Drum Bung Adapter Kits



Part	Base Material	Tube Material	Weather Seal	Base Seal
55-gal Drum Bung Adapter Kits*				
67231	Polypropylene	Polypropylene	UHMW PE	Viton
67231-6	Aluminum	Stainless steel	Viton	Viton
67231-7	Stainless steel	Stainless steel	Viton	Viton

*Kit contains base, bung adapter, bung seal, siphon tube, weather seal, and hardware. Fasteners are 300 Series stainless steel.



Power Supply

DIAPHRAGM PUMP ACCESSORIES

Bulk Tank Adapter Kits



Part Number	Description
Bulk Tank Adapter Kits*	
67234	Polypropylene / Viton O-ring seal
67234-7	Stainless steel (300 Series)

*Kit contains base, threaded adapter, and hardware. Fasteners are 300 Series stainless steel.

Foot Valves



Part Number	Description
Foot Valves*	
637336	Polypropylene with Viton O-ring & ball; use with 67231
637337	Stainless steel with Viton O-ring & ball; use with 67231-6 or 67231-7

*Recommended for use with dispensing nozzle. Assembly includes housing, ball check, and O-ring.

Hoses With Swivel & Dispensing Nozzles



Part Number	Material	Pump Used With	Fittings End / End	Dispensing Nozzle Used (Order Separately)
Hoses With Swivel & Dispensing Nozzles*				
621517-10	Nitrile	Polypropylene	Cam / bare	N/A
621516-10	Nitrile	Polypropylene	Cam / brass 1/4" - 18" NPT Male (M)	635129
621523-10	Nitrile	Polypropylene	Cam / non-drip nozzle	N/A
621515-10	EPDM	Polypropylene	Cam / bare	N/A
621519-10	Vinyl	Polypropylene	Cam / bare	N/A
621514-10	EPDM	Polypropylene	Cam / 1" NPT	95199
622514-10	Nylon	Polypropylene	1/2" NPT / 1/2" NPT 316 stainless steel	N/A
621518-10	Nitrile	Aluminum	Cam / bare	N/A
621520-10	Nitrile	Aluminum	Cam / brass 1/4" - 18" NPTF	635129
621524-10	Nitrile	Aluminum	Cam / non-drip nozzle	N/A

*1/2" ID hose comes in 10' lengths; requires 95189 to adapt to 1/2" port.

Hoses With Non-drip Nozzles



Fluid Dispensing Nozzles



Part Number	Nozzle Type	Description
Fluid Dispensing Nozzles		
95199	Composite nozzle	High-flow nozzle works like gasoline nozzle; features tough composite (polypropylene) construction for caustic service
95200	Swivel	1" M x 1" NPTF polypropylene hose swivel attaches between hose and dispensing nozzle to rotate freely; use with 95199
95183	Oil tapper	Easy-pull tapper attaches directly to pump outlet port and provides even-flow dispensing; aluminum construction for oil service
77617-Z	Oil tapper fitting	Plated carbon steel 1/2" - 14" NPTF x 3/8" - 18" NPTF -1; used to attach 95183 oil tapper to 1/2" aluminum pump
635129	Bibb w/ trigger	1/4" NPTF inlet, zinc die casting with brass and nitrile seals for water or oil service; radiator-type bibb has 1/4" fluid inlet and non-drip tip

Part Number	Description
Pump Outlet Adapters	
95189	Composite fitting has 1/2" Male NPT x MaleCam adapter
95190	Aluminum fitting has 1/2" Male NPT x MaleCam adapter

LUBE SERVICE CONSOLES

Description	Dimensions	Accessories
Floor-mounted Lube Service Consoles		
Designed for dispensing fluids from remote storage area; console accommodates up to six hoses and has windshield fluid containers at each side; unit is constructed of heavy-gauge steel with graphite impregnated polymer-molded hose guides; hoses, hose stops, and dispensing nozzles separately	40-11/16" length 26-1/4" width Approx 24-1/2" height	Use 61988-1 hose stops for oil controls and 5671 hose stops for air and water controls
Same as 614306 except without windshield fluid containers	Flat sides 10-9/16" width	Use 61988-1 hose stops for oil controls and 5671 hose stops for air and water controls
Same as 614306 except with windshield fluid container on one side only	Approx 18-3/8" width	Use 61988-1 hose stops for oil controls and 5671 hose stops for air and water controls

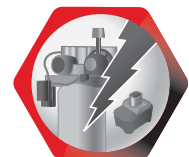
Floor-mounted Lube Service Consoles



Cabinet Labels

AIR	30W OIL	W. WASHER FLUID	15W-40 OIL
WATER	50W OIL	SOLVENT	20W-40 OIL
ANTIFREEZE	10W-30 OIL	GREASE	5W-30 OIL
ANTIFREEZE/WATER	10W-40 OIL	MOTOR OIL	20W-50 OIL
HYDRAULIC OIL	DIESEL FUEL	GEAR LUBE	A.T.F.
T.S.I.	SYNTHETIC OIL	80-140 GEAR	#1 A.T.F.
TORQUE FLUID		90W GEAR	#2 A.T.F.
TURBINE OIL		140W GEAR	DIESEL OIL

Part Number	Description	Dimensions
Cabinet Labels		
93188	Peel and stick labels	7/8" x 5-3/16" w/ 1/2" letter height



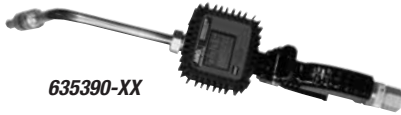
Power Supply

CONTROL HANDLES Digital, Metered Fluid Control Handles

Our new metered control handles feature a patented oval gear wheel design for precise and reliable measurement. Its digital LCD read-out operates on two standard alkaline batteries.

- Lightweight
- Precise
- Fast Reset
- Totalizes

Metered (rigid nozzle models)



635390-XX

Part Number	Max Flow Rate gpm (L)	Meter / Totalizing Increments	Max Working Pressure psi (bar)	Fluid Inlet NPT (F)	Fluid Outlet
Metered (rigid nozzle models)					
635390-11	4 (15)	pt / gal	1,000 (69)	1/2"	Non-drip tip
635390-22	4 (15)	qt / gal	1,000 (69)	1/2"	Non-drip tip
635390-33	4 (15)	L / L	1,000 (69)	1/2"	Non-drip tip

Non-metered (rigid nozzle models)

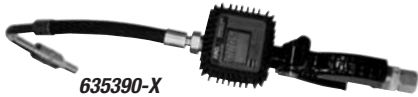


635391-11

Part Number	Max Flow Rate gpm (L)	Meter / Totalizing Increments	Max Working Pressure psi (bar)	Fluid Inlet NPT (F)	Fluid Outlet
Non-metered (rigid nozzle models)*					
635391-11	4 (15)	N/A	1,000 (69)	1/2"	Non-drip tip

*Handle and nozzle only.

Metered (flexible nozzle models)



635390-X

Part Number	Max Flow Rate gpm (L)	Meter / Totalizing Increments	Max Working Pressure psi (bar)	Fluid Inlet NPT (F)	Fluid Outlet
Metered (flexible nozzle models)					
635390-1	4 (15)	pt / gal	1,000 (69)	1/2"	Non-drip tip
635390-2	4 (15)	qt / gal	1,000 (69)	1/2"	Non-drip tip
635390-3	4 (15)	L / L	1,000 (69)	1/2"	Non-drip tip

Non-metered (flexible nozzle models)



635391-1

Part Number	Max Flow Rate gpm (L)	Meter / Totalizing Increments	Max Working Pressure psi (bar)	Fluid Inlet NPT (F)	Fluid Outlet
Non-metered (flexible nozzle models)*					
635391-1	4 (15)	N/A	1,000 (69)	1/2"	Non-drip tip

*Handle and nozzle only.

Meter Only



Part Number	Max Flow Rate gpm (L)	Meter / Totalizing Increments	Max Working Pressure psi (bar)	Fluid Inlet NPT (F)
Meter Only				
635190-1	4 (15)	pt / gal	1,000 (69)	1/2"
635190-2	4 (15)	qt / gal	1,000 (69)	1/2"
635190-3	4 (15)	L / L	1,000 (69)	1/2"

CONTROL HANDLES Non-metered Fluid Control Handles

For motor oil, gear oil, transmission fluid. Includes five-year warranty.

High-volume Control Handles



Part Number	Description	Max Working Pressure psi (bar)	Fluid Inlet NPT (F)	Fluid Outlet
High-volume Control Handles				
635193	Flexible rubber hose with non-drip nozzle; use with 1:1 and 3:1 pumps; non-drip tip	600 (41)	3/4"	629226
635395-2	Flexible rubber hose with non-drip nozzle; use with 5:1 and 9:1 pumps; non-drip tip	900 (63)	3/4"	629226

Standard-volume Control Handles



Part Number	Description	Max Working Pressure psi (bar)	Fluid Inlet NPT (F)	Fluid Outlet
Standard-volume Control Handles				
635392	Has flexible rubber hose, built-in swivel and filter, and non-drip nozzle and tip	1,000 (69)	1/2"	629239
635399	Has flexible rubber hose, built-in swivel, and right-angle non-drip nozzle and tip	1,000 (69)	1/2"	629240

Water, Anti-freeze Control Handle



Part Number	Description	Max Working Pressure psi (bar)	Fluid Inlet NPT (F)	Fluid Outlet
Water, Anti-freeze Control Handle				
635129	Radiator bibb	300 (21)	1/4"	Non-drip tip

CONTROL HANDLES Metered Fluid Control Handles

Preset units automatically shut off when set quantity of fluid is delivered and meter indicator returns to zero. Totalizer registers up to 9,999 units.

Preset, Metered Flow Control



Part Number	Units of Measure	Totalizing Increments	Working Pressure	Inset Size	Fluid Outlet
Preset, Metered Flow Control					
635364	Quarts (1 – 60)	Gallons	1,000 (69)	1/2"	Non-drip tip (9/16" diameter)
635365	Gallons (1 – 60)	Gallons	1,000 (69)	1/2"	Non-drip tip (9/16" diameter)
635367	Liters (1 – 60) auto shut-off	Liters	1,000 (69)	1/2"	Non-drip tip (9/16" diameter)

CONTROL HANDLES Non-drip Nozzle / Hose

For motor oil, gear oil, and transmission fluid.

Nozzle (rigid tube w/ non-drip tip)



Part Number	Description	Fluid Inlet NPT	Length in (mm)	Max Working Pressure psi (bar)
Nozzle (flexible hose w/ non-drip tip)				
629245-1	Flexible hose, non-drip tip	1/2" (M)	15" (381)	1,000 (69)
Nozzle (rigid tube w/ non-drip tip)				
629245-2	Rigid tube, non-drip tip	1/2" (M)	13" (330)	1,000 (69)



Power Supply

CONTROL HANDLES Non-drip Nozzle / Hose

For motor oil, gear oil, and transmission fluid.

Non-drip Nozzles / Hoses



629226



629516

Part Number	Description	Fluid Inlet NPT	Length in (mm)	Max Working Pressure psi (bar)
Non-drip Nozzles / Hoses				
629212	Non-drip nozzle / hose	3/4" (M)	12" (305)	900 (62)
629226	Non-drip nozzle / hose	1/2" (M)	11" (279)	900 (62)
629516	Non-drip nozzle / hose	1/2" (M)	13" (330)	1,000 (69)

Right-angle Nozzle / Hose



629521

Part Number	Description	Fluid Inlet NPT	Length in (mm)	Max Working Pressure psi (bar)
Right-angle Nozzle / Hose				
629521	Right-angle nozzle / hose	1/2" (M)	15" (381)	1,000 (69)

Right-angle, Rigid, Non-drip Nozzles



6786

Part Number	Description	Fluid Inlet NPT	Length in (mm)	Max Working Pressure psi (bar)
Right-angle, Rigid, Non-drip Nozzle				
6786	Right-angle, rigid, non-drip nozzle	1/4" (M)	6-1/2" (165)	1,000 (69)
Rigid, Non-drip Nozzle				
60798	Rigid, non-drip nozzle	1/2" (M)	5-1/2" (133)	1,000 (69)

CONTROL HANDLE ACCESSORIES

High-pressure Grease Control Handles



636101

636111

636103

Part Number	Description	Max Working Pressure psi (bar)	Fluid Inlet NPT (F)	Fluid Outlet
High-pressure Grease Control Handles				
636101	For lubricating grease fittings; does not include nozzle or hydraulic coupler; for applications requiring high flow capacity; remove 1/8" (M) x 3/8" (M) adapter for 3/8" (F) porting	7,500 (517)	3/8" (F)	11/16" – 16" (M) or 1/8" NPT (F)
636111	For lubricating grease fittings; includes inlet material filter and curved nozzle with hydraulic coupler; remove 1/8" (M) x 3/8" (M) adapter for 3/8" (F) porting	7,500 (517)	1/8" (M) or 3/8" (F)	Hydraulic coupler
636103	For normal lubrication; trigger booster delivers 10,000 psi (689 bar); includes curved nozzle with hydraulic coupler, inlet material filter, and manual pressure vent for easy disconnection; Do not use with whip hose	7,500 (517)	1/8" (M) or 3/8" (F)	Hydraulic coupler

Whip Hoses for Grease Control Handles



629742

Part Number	Description	Max Working Pressure psi (bar)	Fluid Inlet NPT (F)	Fluid Outlet
Whip Hoses for Grease Control Handles				
629742	Extra-long, wire braid (624201-02) whip hose with hydraulic coupler and swivel; overall length 29-1/2" (749 mm); for use with coupler 636111 high-pressure control handle; Do not use with 636103 high-pressure booster handle	5,000 (345)	1/8" (F)	636046 hydraulic

Water, Anti-freeze, and Windshield Fluid



635129

Part Number	Description
Water, Anti-freeze, and Windshield Fluid	
635129	Fluid dispensing nozzle bib with Trigger 1/4" NPTF inlet, zinc die casting with brass and nitrile seals for water or oil service; radiator-type bibb has 1/4" fluid inlet and non-drip tip

FLUID CONTROL VALVES Plug, Needle, Globe Valves

Plug Valves



Y28-1

Part Number	Inlet / Outlet NPT	Body Material	Seat Material	Max Working Pressure psi (bar)
Plug Valves				
Y28-2	1/8" (F)	Brass	N/A	150 (10)
Y28-1	1/4" (F)	Brass	N/A	150 (10)

Needle Valves



92818

Part Number	Inlet / Outlet NPT	Body Material	Seat Material	Max Working Pressure psi (bar)
Needle Valves				
92818	1/4" (F) x 1/4" (M)	Brass	Leather	125 (9)
636042	1/2" (F)	Carbon steel	Leather	8,000 (552)
636043	1/2" (M) x 1/2" (F)	Carbon steel	Leather	8,000 (552)

Globe Valve



Part Number	Inlet / Outlet NPT	Body Material	Seat Material	Max Working Pressure psi (bar)
Globe Valve				
Y26-1	3/4" (F)	Brass	Graphite	125 (9)

FLUID BALL CHECK UNIONS

Fluid Ball Check Unions



65845

Part Number	Inlet NPT	Outlet NPT	Body Material	Ball Material	Seat Material	Max Working Pressure psi (bar)
Fluid Ball Check Unions						
65845	3/4" (M)	3/4" (M)	Carbon steel	440C SS	440 F SS	8,000 (552)
66559	1" (M)	1" (F)	Carbon steel	440C SS	440 F SS	8,000 (552)

Used to prevent back-flow of material.

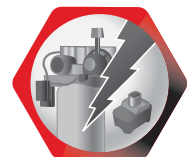
FLUID CONTROL VALVES

Bronze Ball Valves



61754

Part Number	Inlet / Outlet NPT	Body Material	Seat Material	Max Working Pressure psi (bar)
Nickel Plated Brass Ball Valves				
104077-2	1/4" (F)	Nickel plated brass	Teflon	225 (16)
104077-3	3/8" (F)	Nickel plated brass	Teflon	225 (16)
104077-4	1/2" (F)	Nickel plated brass	Teflon	225 (16)
Bronze Ball Valves				
61754	1/2" (F)	Bronze	Teflon	400 (28)
61124	3/4" (F at both ends)	Bronze	Buna-N	200 (14)
Carbon Steel Ball Valve				
66592	1/2" (F)	Carbon steel	Teflon	2,000 (138)
303 Stainless Steel Ball Valve				
66593	3/8" NPS (M) x 3/8" (M)	303 Stainless steel	Teflon	4,000 (276)



Power Supply

OIL DRAIN ACCESSORIES

Ingersoll Rand oil drains are professional-grade drains featuring adjustable heights and large fluid capacities. All of our oil drain kits come with funnels, screens, drum covers, and dipsticks. Other kits include additional features such as dolly carts, siphon tubes, pump couplers, drums, and drains.

16-gal Oil Drain Kit



Part Number	Description	Height Range	Capacity gal	Included
16-gal Oil Drain Kit				
615003-B	16-gal oil drain kit	39" – 67"	16	Funnel, screen, drum cover, dipstick

Low-profile Oil Drain



Part Number	Description	Height Range	Capacity gal	Included
Low-profile Oil Drain				
615028	Low-profile oil drain	10"	20	Dolly, funnel, screen, drum, drum cover, dipstick, drain

Oil Drain Accessories



61580



640058-2



2502

Part Number	Description
Oil Drain Accessories	
61580	Transmission funnel
640058-2	Dolly for 16-gal keg
615014	16-gal drum with shut-off valve
2502	Standard funnel
76884	Funnel screen for 2502

CORDLESS ACCESSORIES



INGERSOLL RAND CORDLESS ACCESSORIES

Our 2512K cordless impact wrench and 2575K cordless drill / driver deliver impressive power and durability, just as you'd expect from any Ingersoll Rand tool. These tools are powered by long-lasting 14.4-volt NiCad battery packs. The accompanying fast-charge recharger works with hot batteries and features convenient audio and visual cycle completion indicators. Both the battery and the charger are engineered to the same exacting standards as the tools themselves.

CORDLESS ACCESSORIES

Battery



Part Number	Voltage	For Use With*
Battery		
2505K	14.4 V	2575K Cordless drill / driver 2512K Cordless impact wrench

**See tool features below.*

Battery Charger



Part Number	Charge Time	For Use With*
Battery Charger		
2507K	1-hour	2575K Cordless drill / driver 2512K Cordless impact wrench

**See tool features below.*

FOR USE WITH

2512K Cordless Impact Wrench



Voltage	Drive in (mm)	Impacts Per Minute bpm	No Load Speed rpm	Torque ft-lb (Nm)	Max Torque ft-lb (Nm)	Impact Weight lb	Kit Weight lb	Sound (Pressure / Power) dBA
2512K Cordless Impact Wrench								
14.4 V	3/8" (10)	3,000	0 – 2,200	25 – 130 (34 – 176)	150 (203)	3.33	11.33	90 / 101

- Performance-tuned twin cam mechanism
- Ergonomic textured grip
- No hose to restrict your mobility
- Contains impact, 2 batteries, 1-hour charger, and carrying case

2575K Cordless Drill / Driver



Voltage	Chuck Capacity in (mm)	Gear Train	Clutch	Free Speed (High) rpm	Free Speed (Low) rpm	Max Torque in-lb (Nm)	Drill Weight lb	Kit Weight lb	Sound (Pressure / Power) dBA
2575K Cordless Drill / Driver									
14.4 V	3/8" (10) keyless	2-speed	17 positions	0 – 1,200	0 – 350	300 (34)	3	10.9	67 / 78

- Metal gear housing and gears
- Jacobs™ brand keyless chuck
- Contoured variable speed trigger
- Ergonomic textured grip
- Contains drill, 2 batteries, 1-hour charger, and carrying case



WORK ACCESSORIES



When there's a demanding job to do you need tools and accessories that are going to work as hard as you do. That's exactly what you get when you turn to Ingersoll Rand.

Our complete line of job-specific accessories reflects the same high standards of performance that you'd expect from Ingersoll Rand — the global leader for durable and reliable tools and equipment. Whether it's a big job or small, Ingersoll Rand has what you need to get it done right.

The following section features the complete line of job-specific accessories available from Ingersoll Rand.





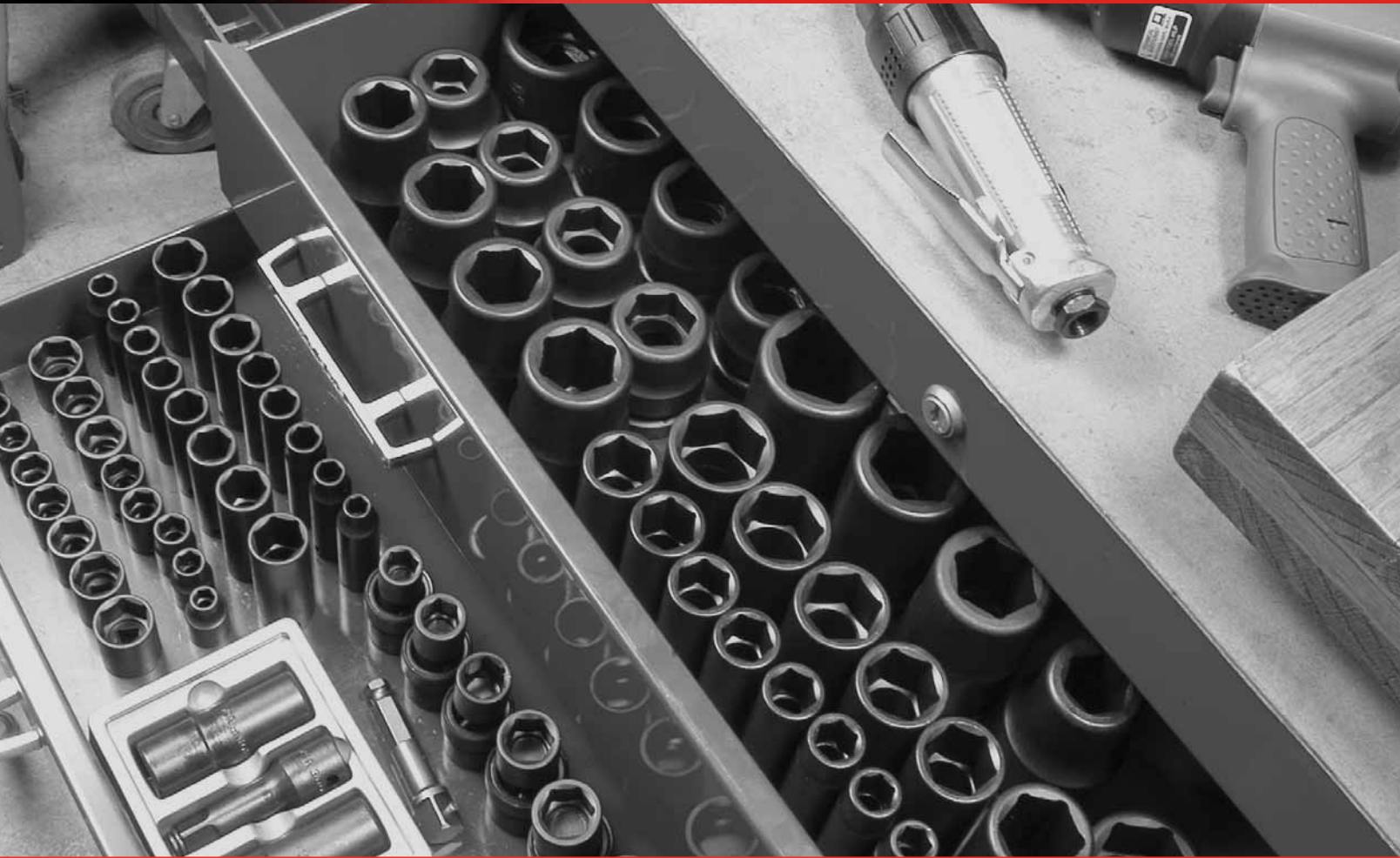
WORK ACCESSORIES



WORK ACCESSORIES

Impact Sockets	161
Construction Tool Steels and Accessories	169
Sanding and Polishing Pads	181
Carbide Grinding Burs	187
Saw Blades and Accessories	191
Collets	193
Drill Accessories	197
Screwdriver and Nutrunner Accessories	201

IMPACT SOCKETS



INGERSOLL RAND IMPACT SOCKETS

Genuine Ingersoll Rand impact sockets are built of top quality materials for performance and durability. Specifically designed for use with Ingersoll Rand power tools, our sockets are the perfect solution for your everyday bolting and unbolting applications.

INGERSOLL RAND IMPACT SOCKET SETS

The complete line of Ingersoll Rand socket sets offer these advantages:

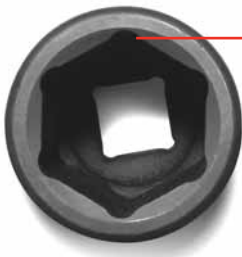
- Our heavy-duty line of impact sockets, accessories, and attachments are designed specifically for use with our power tools.
- Our comprehensive line consists of only top quality chrome-molybdenum material for superior performance and durability.
- The variety in this line provides solutions to everyday bolting and unbolting applications.



Black oxide coating for ultimate rust protection

High-strength chrome molybdenum steel

Laser-etched logo, size, and part number for easy readability



Concave hex design grips side of fastener to prevent corner-rounding



8-piece 3/8" Drive SAE Deep Impact Socket Set

3/8" IMPACT SOCKET SETS

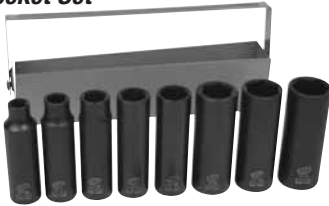
8-piece 3/8" Drive SAE Impact Socket Set



6260A

Part Number	Description	Socket Sizes Included
8-piece 3/8" Drive SAE Impact Socket Set		
6260A	Packaged in metal tray	5/16", 3/8", 7/16", 1/2", 9/16", 5/8", 11/16", 3/4"

8-piece 3/8" Drive SAE Deep Impact Socket Set



6261D

Part Number	Description	Socket Sizes Included
8-piece 3/8" Drive SAE Deep Impact Socket Set		
6261D	Packaged in metal tray	5/16", 3/8", 7/16", 1/2", 9/16", 5/8", 11/16", 3/4"

7-piece 3/8" Drive SAE Universal Impact Socket Set



6262U

Part Number	Description	Socket Sizes Included
7-piece 3/8" Drive SAE Universal Impact Socket Set		
6262U	Packaged in metal box	3/8", 7/16", 1/2", 9/16", 5/8", 11/16", 3/4"

8-piece 3/8" Drive Metric Impact Socket Set



6270M

Part Number	Description	Socket Sizes Included
8-piece 3/8" Drive Metric Impact Socket Set		
6270M	Packaged in metal tray	9 mm, 10 mm, 11 mm, 13 mm, 14 mm, 15 mm, 17 mm, 19 mm

8-piece 3/8" Drive Metric Deep Impact Socket Set



6271MD

Part Number	Description	Socket Sizes Included
8-piece 3/8" Drive Metric Deep Impact Socket Set		
6271MD	Packaged in metal tray	9 mm, 10 mm, 11 mm, 13 mm, 14 mm, 15 mm, 17 mm, 19 mm

7-piece 3/8" Drive Metric Universal Impact Socket Set



6272MU

Part Number	Description	Socket Sizes Included
7-piece 3/8" Drive Metric Universal Impact Socket Set		
6272MU	Packaged in metal box	10 mm, 12 mm, 13 mm, 14 mm, 15 mm, 17 mm, 19 mm



Work

1/2" IMPACT SOCKET SETS

13-piece 1/2" Drive SAE Impact Socket Set



6360A

Part Number	Description	Socket Sizes Included
13-piece 1/2" Drive SAE Impact Socket Set		
6360A	Packaged in metal tray	7/16", 1/2", 9/16", 5/8", 11/16", 3/4", 13/16", 7/8", 15/16", 1", 1-1/16", 1-1/8", 1-1/4"

13-piece 1/2" Drive SAE Deep Impact Socket Set



6361D

Part Number	Description	Socket Sizes Included
13-piece 1/2" Drive SAE Deep Impact Socket Set		
6361D	Packaged in metal box	7/16", 1/2", 9/16", 5/8", 11/16", 3/4", 13/16", 7/8", 15/16", 1", 1-1/16", 1-1/8", 1-1/4"

7-piece 1/2" Drive SAE Universal Impact Socket Set



6362U

Part Number	Description	Socket Sizes Included
7-piece 1/2" Drive SAE Universal Impact Socket Set		
6362U	Packaged in metal box	1/2", 9/16", 5/8", 11/16", 3/4", 13/16", 7/8"

14-piece 1/2" Drive Metric Impact Socket Set



6370M

Part Number	Description	Socket Sizes Included
14-piece 1/2" Drive Metric Impact Socket Set		
6370M	Packaged in metal tray	10 mm, 11 mm, 12 mm, 13 mm, 14 mm, 15 mm, 16 mm, 17 mm, 18 mm, 19 mm, 21 mm, 22 mm, 26 mm, 27 mm

14-piece 1/2" Drive Metric Deep Impact Socket Set



6370MD

Part Number	Description	Socket Sizes Included
14-piece 1/2" Drive Metric Deep Impact Socket Set		
6370MD	Packaged in metal box	10 mm, 11 mm, 12 mm, 13 mm, 14 mm, 15 mm, 16 mm, 17 mm, 18 mm, 19 mm, 21 mm, 22 mm, 26 mm, 27 mm

7-piece 1/2" Drive Metric Universal Impact Socket Set



6371MU

Part Number	Description	Socket Sizes Included
7-piece 1/2" Drive Metric Universal Impact Socket Set		
6371MU	Packaged in metal box	13 mm, 14 mm, 15 mm, 17 mm, 19 mm, 21 mm, 22 mm

Flip Impact Socket Lug Nut Service Set



7400SMFE

Part Number	Description	Socket Sizes Included
Flip Impact Socket Lug Nut Service Set		
7400SMFE	Packaged in plastic mold	3/4" x 3/16", 19 mm x 21 mm, 3" extension

3/4" IMPACT SOCKET SETS

8-piece 3/4" Drive SAE Impact Socket Set



Part Number	Description	Socket Sizes Included
8-piece 3/4" Drive SAE Impact Socket Set		
6460A	Packaged in metal box	1", 1-1/16", 1-1/8", 1-1/4", 1-5/16", 1-3/8", 1-7/16", 1-1/2"

8-piece 3/4" Drive SAE Deep Impact Socket Set



Part Number	Description	Socket Sizes Included
8-piece 3/4" Drive SAE Deep Impact Socket Set		
6461D	Packaged in metal box	1", 1-1/16", 1-1/8", 1-1/4", 1-5/16", 1-3/8", 1-7/16", 1-1/2"

1" IMPACT SOCKET SETS

8-piece 1" Drive SAE Impact Socket Set



Part Number	Description	Socket Sizes Included
8-piece 1" Drive SAE Impact Socket Set		
6560A	Packaged in metal box	7/8", 15/16", 1", 1-1/16", 1-1/8", 1-3/16", 1-1/4", 1-1/2"

8-piece 1" Drive SAE Deep Impact Socket Set



Part Number	Description	Socket Sizes Included
8-piece 1" Drive SAE Deep Impact Socket Set		
6561D	Packaged in metal box	7/8", 15/16", 1", 1-1/16", 1-1/8", 1-3/16", 1-1/4", 1-1/2"

9-piece 1" Drive SAE Truck Service Impact Socket Set



Part Number	Description	Socket Sizes Included
9-piece 1" Drive SAE Truck Service Impact Socket Set		
6562A	Packaged in metal box	13/16" square; 7/8", 15/16", 1", 1-3/16", 1-1/2" hex; 1-1/16", 1-1/8", 1-1/4" deep thin wall hex

5-piece 1" Drive SAE Deep Truck Service Impact Socket Set



Part Number	Description	Socket Sizes Included
5-piece 1" Drive SAE Deep Truck Service Impact Socket Set		
6563T	Packaged in metal box	13/16" square; 33 mm & 1-1/2" deep hex; 1-1/8" & 1-1/4" deep thin wall hex



Work

IMPACT SOCKET SET ACCESSORIES

3/8" Drive SAE Socket Adapter



2U-215

3/8" Drive SAE Socket Universal Joint



7270P

Part Number	Description
3/8" Drive SAE	
2U-215	Power socket adapter (3/8" F x 1/2" M)
7106	Power hex-to-square adapter
7175P	Power driver extension
7270P	Universal joint
2U-A925-4	Quick change chuck
502-A925-7	Quick change chuck

1/2" Drive SAE Power Hex to Square Adapter



7121

Part Number	Description
1/2" Drive SAE	
4UA9	Power angle attachment
7181P	Power driver extension
7121	Power hex-to-square adapter
7470P	Universal joint
4U-A925-7	Quick change chuck

3/4" Drive SAE Power Driver Extension



07567

Part Number	Description
3/4" Drive SAE	
07655	Power socket adapter (3/4" F x 1" M)
2920A90	Power angle attachment
07567	Power driver extension
07570	Power universal joint
1" Drive SAE	
07565	Power socket adapter (1" F x 3/4" M)
2934A90	Power angle attachment
10607	Power driver extensions

IMPACT SOCKET SET ACCESSORIES

Non-adjustable Detachable Torsion Bars



5040TDQ-P535-1

Part Number	Torque Range ft-lb		Color Code
	5020TDQ	5040TDQ	
Non-Adjustable Detachable Torsion Bars*			
5040TDQ-P535-1	6 – 10	20 – 25	Red
5040TDQ-P535-2	8 – 2	22 – 30	Orange
5040TDQ-P535-3	10 – 14	25 – 35	Yellow
5040TDQ-P535-4	12 – 16	30 – 40	Green
5040TDQ-P535-5	14 – 18	35 – 45	Blue
5040TDQ-P535-6	16 – 20	40 – 50	Violet
5040TDQ-P535-7	18 – 22	45 – 55	Red
5040TDQ-P535-8	20 – 24	50 – 60	Orange
5040TDQ-P535-9	22 – 26	55 – 65	Yellow
5040TDQ-P535-10	24 – 28	60 – 75	Green
5040TDQ-P535-11	26 – 29	70 – 85	Violet
5040TDQ-P535-12	27 – 30	75 – 90	Blue

*For use with impact models 5020TDQ & 5040TDQ.

Socket Retainers



RR10025S

Part Number	Drive Size	Inside Diameter in (mm)
Socket Retainers		
RR10005S	3/4"	1-1/4" (32)
RR10032S	3/4"	1-7/16" (37)
RR10034S	3/4"	1-5/8" (41)
RR10008S	1"	1-3/4" (45)
RR10010S	1"	1-15/16" (49)
RR10015S	1"	2-1/8" – 2-1/4" (54 – 57)
RR10017S	1"	2-1/2" (64)
RR10019S	1"	2-5/8" (67)
RR10020S	1"	2-7/8" – 3" (73 – 76)
RR10025S	1-1/2"	3-3/8" (86)
RR10030S	1-1/2"	3-7/8" (98)
RR10035S	1-1/2"	4-3/8" (111)

O-rings



588-216

Part Number	Square Drive Size
O-rings	
588-216	2-1/2"
599-216	3-1/2"

Retaining Pins



588-215

Part Number	Square Drive Size
Retaining Pins	
588-215	2-1/2"
599-215	3-1/2"



Work

CONSTRUCTION TOOL STEELS AND ACCESSORIES



INGERSOLL RAND CONSTRUCTION TOOL STEELS AND ACCESSORIES

Ingersoll Rand has a rich heritage in the construction industry, dating back to our company founding in 1871. Today we offer the most comprehensive lines of construction tools on the market, as well as a wide variety of durable chisels, retainers, and steels that, when combined, provide the ultimate in productivity.

STEEL PAVEMENT BREAKER AND DIGGER ACCESSORIES

Moil Points



Used for general demolition.

Under Collar Length	Part Number For Hex Shank Size			
	7/8" x 3-1/4"	1" x 4-1/4"	1-1/8" x 6"	1-1/4" x 6"
Moil Points — Standard-duty				
14"	50050269	50050368	50050475	50055680
18"	50050277	50050376	50055524	50055698
24"	50050285	50050392	50055540	50055714
36"	51305860	N/A	50055565	50055730
48"	N/A	N/A	50055573	50055748
60"	N/A	N/A	50055581	50055755
72"	N/A	N/A	50055599	50198993
Moil Points — Super-duty				
11-1/4"	22041495	22041057	22041073	22041099
14-1/4"	22041602	22041065	22041081	22041107

1" Narrow Chisels



Used for general demolition.

Under Collar Length	Part Number For Hex Shank Size			
	7/8" x 3-1/4"	1" x 4-1/4"	1-1/8" x 6"	1-1/4" x 6"
1" Narrow Chisels — Standard-duty				
14"	50199207	50197805	50197904	50196385
18"	50199215	50197821	50197912	50196401
24"	50199223	N/A	50197938	50196419
36"	N/A	N/A	N/A	51299477
48"	N/A	N/A	50197979	51299485
60"	N/A	N/A	50197987	51299048
72"	N/A	N/A	50197995	51299493
1" Narrow Chisels – Super-duty				
11-1/4"	22041503	22041115	22041131	22041156
14-1/4"	22041610	22041123	22041149	22041164

1-1/2" Super Cut Chisel



Specially designed for breaking concrete.

Under Collar Length	Part Number For Hex Shank Size			
	7/8" x 3-1/4"	1" x 4-1/4"	1-1/8" x 6"	1-1/4" x 6"
1-1/2" Super Cut Chisel				
16"	N/A	22040463	22040471	22040489

3" Chisels



Used for concrete demolition and asphalt cutting.

Under Collar Length	Part Number For Hex Shank Size			
	7/8" x 3-1/4"	1" x 4-1/4"	1-1/8" x 6"	1-1/4" x 6"
3" Chisels				
14"	50195288	50195320	50114883	50193879
18"	50195296	50195338	50193754	50193887
24"	N/A	50195353	50193747	50193903
36"	N/A	50195361	N/A	N/A
48"	N/A	50195379	N/A	50193937
72"	N/A	51304574	N/A	50191790

3" Digging Chisel



Used for digging and deeper asphalt cutting.

Under Collar Length	Part Number For Hex Shank Size			
	7/8" x 3-1/4"	1" x 4-1/4"	1-1/8" x 6"	1-1/4" x 6"
3" Digging Chisel				
16"	22040968	22040976	22040984	50186014

STEEL PAVEMENT BREAKER AND DIGGER ACCESSORIES

3-3/4" Combo Cutter



Great for manhole reconstruction.

Under Collar Length	Part Number For Hex Shank Size			
	7/8" x 3-1/4"	1" x 4-1/4"	1-1/8" x 6"	1-1/4" x 6"
3-3/4" Combo Cutter				
11-1/2"	N/A	N/A	22040612	22040620

5" Asphalt Cutter



Asphalt cutting and removal.

Under Collar Length	Part Number For Hex Shank Size			
	7/8" x 3-1/4"	1" x 4-1/4"	1-1/8" x 6"	1-1/4" x 6"
5" Asphalt Cutter				
11"	22040935	50190404	50185982	50185990

5-1/2" Clay Spade



Trench digging and trimming.

Under Collar Length	Part Number For Hex Shank Size			
	7/8" x 3-1/4"	1" x 4-1/4"	1-1/8" x 6"	1-1/4" x 6"
5-1/2" Clay Spade				
16"	50189596	50189554	50189562	50189570

Pipe Drivers



Driving steel pipe up to 1-1/2" OD.

Under Collar Length	Part Number For Hex Shank Size			
	7/8" x 3-1/4"	1" x 4-1/4"	1-1/8" x 6"	1-1/4" x 6"
1" Pipe Driver				
11"	N/A	N/A	22040505	22040513
1-1/2" Pipe Driver				
11"	N/A	N/A	22040547	22040554

Ground Rod Driver



Driving steel rod up to 1" OD.

Under Collar Length	Part Number For Hex Shank Size			
	7/8" x 3-1/4"	1" x 4-1/4"	1-1/8" x 6"	1-1/4" x 6"
Ground Rod Driver				
8"	N/A	22040588	22040596	22040604

Detachable Shank



To be used with tent stake drivers or tamping pad

Under Collar Length	Part Number For Hex Shank Size			
	7/8" x 3-1/4"	1" x 4-1/4"	1-1/8" x 6"	1-1/4" x 6"
Detachable Shank				
7-3/4"	22040927	50187830	50187848	50187855

Tent Stake Drivers



Used with detachable shank.

Under Collar Length	Part Number For Hex Shank Size			
	7/8" x 3-1/4"	1" x 4-1/4"	1-1/8" x 6"	1-1/4" x 6"
2" Tent Stake Driver				
N/A	22040638	22040638	22040638	22040638
2-1/2" Tent Stake Driver				
N/A	22040646	22040646	22040646	22040646

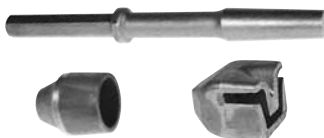
8" Tamping Pad Square



Tamping and backfilling; used with detachable shank.

Under Collar Length	Part Number For Hex Shank Size			
	7/8" x 3-1/4"	1" x 4-1/4"	1-1/8" x 6"	1-1/4" x 6"
8" Tamping Pad Square				
N/A	50187897	50187897	50187897	50187897

3-piece Sign Post Driver



Includes shank, post block, and 3-1/2" IO driver.

Under Collar Length	Part Number For Hex Shank Size			
	7/8" x 3-1/4"	1" x 4-1/4"	1-1/8" x 6"	1-1/4" x 6"
3-Piece Sign Post Driver				
7-3/4"	22040778	22040943	22041008	22041016



Work

DIGGER CHISELS

Blanks



Under Collar Lengths	Part Number For Digger Model		
	93A1	93LA1	95LA3
Blanks			
14"	N/A	N/A	59H-516H-14
14-1/4"	73H-16H-18	73H-16H-18	N/A
20-1/4"	73H-16H-24	73H-16H-24	N/A
26-1/4"	73H-16H-30	73H-16H-30	N/A
32-1/4"	73H-16H-36	73H-16H-36	N/A

Digging Chisel



Under Collar Lengths	Part Number For Digger Model		
	93A1	93LA1	95LA3
Digging Chisel			
16"	N/A	N/A	59H-580H

Flat Blades



Under Collar Lengths	Part Number For Digger Model		
	93A1	93LA1	95LA3
Flat Blades			
14-1/4"	73H-16HF-18	73H-16HF-18	N/A
20-1/4"	73H-16HF-24	73H-16HF-24	N/A
26-1/4"	73H-16HF-30	73H-16HF-30	N/A
32-1/4"	73H-16HF-36	73H-16HF-36	N/A

Moil Points



Under Collar Lengths	Part Number For Digger Model		
	93A1	93LA1	95LA3
Moil Points			
14-1/4"	73H-16HM-18	73H-16HM-18	N/A
20-1/4"	73H-16HM-24	73H-16HM-24	N/A
26-1/4"	73H-16HM-30	73H-16HM-30	N/A
32-1/4"	73H-16HM-36	73H-16HM-36	N/A

JACKHAMMER RODS AND BITS

"H" Thread-jack Rods



Under Collar Length	Part Number For Hex Shank Size		
	7/8" x 3-1/4"	7/8" x 4-1/4"	1" x 4-1/4"
"H" Thread-jack Rods			
12"	N/A	51242006	50713023
18"	50283266	51242014	50713031
24"	50283506	51233690	50354596
30"	51305639	51242030	51305704
36"	50712728	51234052	50713049
48"	50283555	51234060	50283183
60"	50712736	51242063	50713056
72"	50712744	50712975	50283696
96"	50712751	N/A	50283241
120"	N/A	N/A	50712132
144"	N/A	N/A	50712140

Rope Thread-jack Rods



Under Collar Length	Part Number
	Hex Shank Size 1-1/4"
Rope Thread-jack Rods	
24"	51365708
48"	51365716
72"	50187897

"H" Thread-carbide Bits



Bit Size	Part Number	
	Single Use	Multi-use
"H" Thread-carbide Bits		
1-3/8" (35 mm)	51248359	51307155
1-1/2" (38 mm)	51248367	51248326
1-5/8" (41 mm)	51248375	51248318
1-3/4" (44 mm)	51248383	51248326
1-7/8" (48 mm)	51248391	51248334
2" (52 mm)	51248409	51248342
2-1/4" (57 mm)	N/A	51356723
2-1/2" (64 mm)	N/A	51293017



Work

RIVET BUSTER STEEL RODS

Moil Point



Length	Part Number
Moil Point	
12" (305 mm)	9001-297-12

Chisels



Length	Part Number
Chisels	
9-1/2" (241 mm)	9001-276-9-1/2
12" (305 mm)	9001-276-12
18" (457 mm)	9001-276-18

Side Cut Chisel



Length	Part Number
Side Cut Chisel	
9-1/2" (241 mm)	9001-277-9-1/2

Ripper Chisel



Length	Part Number
Ripper Chisel	
9-1/2" (241 mm)	9001-295-9-1/2

BLACK-OUT PUNCHES

Black-out Punches



Length	Rivet Diameter	Part Number
Black-out Punches		
9-1/2"	3/8" (10 mm)	9001-278
	1/2" (13 mm)	9001-279
	5/8" (16 mm)	9001-280
	3/4" (19 mm)	9001-281
	7/8" (22 mm)	9001-282
	1" (25 mm)	9001-283
	1-1/8" (29 mm)	9001-284

RIVET BUSTER ACCESSORIES

Retainers



Barrel Threaded (9001, 11001) Part Number	Barrel Grooved (8001A, 9001A, 11001A) Part Number
Retainers	
N/A	89938443
9001-200	N/A

Upper Sleeve



Lower Sleeve



Barrel Threaded (9001, 11001) Part Number	Barrel Grooved (8001A, 9001A, 11001A) Part Number
Upper Sleeve	
9001-220	9001-220
Lower Sleeve	
9001-201	9001-201

Bumper



Barrel Threaded (9001, 11001) Part Number	Barrel Grooved (8001A, 9001A, 11001A) Part Number
Bumper	
9001-203	9001-203

Lock Clip



Spring Lock



Barrel Threaded (9001, 11001) Part Number	Barrel Grooved (8001A, 9001A, 11001A) Part Number
Lock Clip	
9RB-207	N/A
Spring Lock	
N/A	89938450

Key



Pin



Barrel Threaded (9001, 11001) Part Number	Barrel Grooved (8001A, 9001A, 11001A) Part Number
Key	
9001-208	N/A
Pin	
FMD2-667	N/A



Work

CHIPPING HAMMER STEELS

1" Flat Chisels



Under Collar Length	Part Number			
	K, A, & D Series		W Series	
	.680 Round Shank Oval	.580 Hex Shank Oval	.680 Round Shank Round	.580 Hex Shank Round
1" Flat Chisels				
12"	HH1-215F-12	HH1-214F-12	H3R-215F-12	H3R-214F-12
18"	HH1-215F-18	HH1-214F-18	H3R-215F-18	H3R-214F-18
24"	HH1-215F-24	HH1-214F-24	H3R-215F-24	H3R-214F-24
36"	HH1-215F-36	HH1-214F-36	H3R-215F-36	H3R-214F-36
60"	N/A	HH1-214F-60	N/A	N/A

Moil Points



Under Collar Length	Part Number			
	K, A, & D Series		W Series	
	.680 Round Shank Oval	.580 Hex Shank Oval	.680 Round Shank Round	.580 Hex Shank Round
Moil Points				
12"	HH1-215M-12	HH1-214M-12	H3R-215M-12	H3R-214M-12
18"	HH1-215M-18	HH1-214M-18	N/A	H3R-214M-18
24"	HH1-215M-24	HH1-214M-24	N/A	H3R-214M-24
36"	HH1-215M-36	HH1-214M-36	N/A	H3R-214M-36

Blanks



Under Collar Length	Part Number			
	K, A, & D Series		W Series	
	.680 Round Shank Oval	.580 Hex Shank Oval	.680 Round Shank Round	.580 Hex Shank Round
Blanks				
12"	HH1-215-12	HH1-214-12	H3R-215-12	H3R-214-12
18"	HH1-215-18	HH1-214-18	H3R-215-18	H3R-214-18
24"	HH1-215-24	HH1-214-24	H3R-215-24	H3R-214-24
36"	HH1-215-36	HH1-214-36	H3R-215-36	H3R-214-36

Scaling Chisels



Under Collar Length	Part Number			
	K, A, & D Series		W Series	
	.680 Round Shank Oval	.580 Hex Shank Oval	.680 Round Shank Round	.580 Hex Shank Round
1-1/2" Scaling Chisel				
12"	HH1-215B-12	HH1-214B-12	H3R-215B-12	H3R-214B-12
2" Scaling Chisel				
12"	HH1-323-12	HH1-324-12	HH1-423-12	HH1-424-12

Bushing Tool



Under Collar Length	Part Number			
	K, A, & D Series		W Series	
	.680 Round Shank Oval	.580 Hex Shank Oval	.680 Round Shank Round	.580 Hex Shank Round
Bushing Tool				
9"	HH1-215-9	HH1-214T-9	N/A	N/A

Diamond Point



Under Collar Length	Part Number			
	K, A, & D Series		W Series	
	.680 Round Shank Oval	.580 Hex Shank Oval	.680 Round Shank Round	.580 Hex Shank Round
Diamond Point				
12"	HH1-215D-12	HH1-214D-12	H3R-215D-12	H3R-214D-12

CHIPPING HAMMER STEELS

Gouge



Under Collar Length	Part Number			
	K, A, & D Series		W Series	
	.680 Round Shank Oval	.580 Hex Shank Oval	.680 Round Shank Round	.580 Hex Shank Round
Gouge				
12"	HH1-215G-12	HH1-214G-12	H3R-215G-12	H3R-214G-12

Round Nose



Under Collar Length	Part Number			
	K, A, & D Series		W Series	
	.680 Round Shank Oval	.580 Hex Shank Oval	.680 Round Shank Round	.580 Hex Shank Round
Round Nose				
12"	HH1-215N-12	HH1-214N-12	H3R-215N-12	H3R-214N-12

Straight Fuller



Under Collar Length	Part Number			
	K, A, & D Series		W Series	
	.680 Round Shank Oval	.580 Hex Shank Oval	.680 Round Shank Round	.580 Hex Shank Round
Straight Fuller				
12"	HH1-215J-12	HH1-214J-12	H3R-215J-12	H3R-214J-12

Caulking



Under Collar Length	Part Number			
	K, A, & D Series		W Series	
	.680 Round Shank Oval	.580 Hex Shank Oval	.680 Round Shank Round	.580 Hex Shank Round
Caulking				
12"	HH1-215E-12	HH1-214E-12	H3R-215E-12	H3R-214E-12

Ripper



Under Collar Length	Part Number			
	K, A, & D Series		W Series	
	.680 Round Shank Oval	.580 Hex Shank Oval	.680 Round Shank Round	.580 Hex Shank Round
Ripper				
12"	HH1-215R-12	HH1-214R-12	H3R-215R-12	H3R-214R-12

Tooth



Under Collar Length	Part Number			
	K, A, & D Series		W Series	
	.680 Round Shank Oval	.580 Hex Shank Oval	.680 Round Shank Round	.580 Hex Shank Round
Tooth				
12"	HH1-321-12	HH1-322-12	H3R-421-12	H3R-422-12



Work

CHIPPING HAMMER RETAINERS

Standard Retainer (grooved)



Barrel Area Type	Part Number	
	K, A, & D Series	W Series
Standard Retainer (standard on all chippers ending in "SA")		
Grooved	HH1-1190	N/A

Quick Change #1 (grooved)



Quick Change #2 (grooved)



Barrel Area Type	Part Number	
	K, A, & D Series	W Series
Quick Change #1		
Grooved	HH-1191	N/A
Quick Change #2		
Grooved	HH1-3400-3	N/A

Lock Spring (grooved)



Barrel Area Type	Part Number	
	K, A, & D Series	W Series
Lock Spring (used with all grooved retainers listed above)		
Grooved	HH1-1194	N/A

Rubber Buffered (threaded)



Barrel Area Type	Part Number	
	K, A, & D Series	W Series
Rubber Buffered (standard on all W Series chippers)		
Threaded	N/A	HHW1-A300

Economy Type (threaded)



Barrel Area Type	Part Number	
	K, A, & D Series	W Series
Economy Type		
Threaded	N/A	HHW2-200

Quick Change (threaded)



Barrel Area Type	Part Number	
	K, A, & D Series	W Series
Quick Change		
Threaded	N/A	HHW1-3450

CHIPPING HAMMER ACCESSORIES

Upper Buffer Washer



Lower Buffer Washer



Description	Part Number
Buffer Washers	
Upper Buffer Washer (2 pieces)	H2R-31
Lower Buffer Washer (2 pieces)	HHW1-213

Lower Buffer Washer Ring



Description	Part Number
Buffer Washer Ring	
Lower Buffer Washer Ring	R000A2-103

Rubber Bumper



Description	Part Number
Rubber Bumper	
Rubber Bumper	H2R-203

Lock Clip



Description	Part Number
Lock Clip	
Lock Clip	24SR-207

BACKFILL TAMPER AND SAND RAMMER BUTTS

Steel Butt



Part Number	Dimension	Description
Steel Butt		
34SR-383	3"	Steel butt for model 341A2M

Moon Steel Butt



Part Number	Dimension	Description
Moon Steel Butt		
44SR-HM183-5	5-1/4"	Moon steel butt for model 441A2
44SR-M183-5 3/4	5-3/4"	Moon steel butt for model 441A2

Malleable Butts



Part Number	Dimension	Description
Malleable Butts		
12SR-83	2-1/2"	Malleable butt for model 130A1M
22SR-83-3x3/4	3"	Malleable butt for model 241A1M

Rubber Tipped Butts



Part Number	Dimension	Description
Rubber Tipped Butts		
14SR-83R-23/8	2-3/8"	Rubber tipped butt
24SR-83R-3	3"	Rubber tipped butt
24SR-83R-5	5"	Rubber tipped butt

Rubber Topping-off Butt



Part Number	Dimension	Description
Rubber Topping-off Butt		
14SR-83R-4	3-29/32"	Rubber topping-off butt

Rubber Tipped Peen



Part Number	Dimension	Description
Rubber Tipped Peen		
14SR-93R	N/A	Rubber tipped peen



Work

TIE TAMPER STEELS

Plain Face Tie Tamper Steel



Part Number	Dimensions			Description
	A	B	C	
Plain Face Tie Tamper Steels				
MT2-12-3/8	24"	3"	3/8"	Plain face for spot-tamping and low lifts
MT2-12-5/8	24"	3"	5/8"	Plain face for rock ballast of 29 mesh or larger
MT2-12-7/8	24"	3"	7/8"	Plain face for small rock ballast, gravel, & slag
MT2-12-3/4	24"	3"	3/4"	Plain face for dirt, cinder, gravel, sand, or chat ballast
MT2-12-1-1/8	24"	3"	1-1/8"	Plain face for dirt, cinder, gravel, sand, or chat ballast

Tooth Face Tie Tamper Steel



Part Number	Dimensions			Description
	A	B	C	
Tooth Face Tie Tamper Steel				
MT2-S12-5/8	24"	3"	5/8"	Tooth face for stone ballast

SCALER / NEEDLE SCALER STEELS

Part Number	Dimension	Description
Scaler Chisels		
WF-14B-11-1/2	1-3/8" x 6-1/8" or 11-1/2"	Straight scaling chisel
WF-14A-6-1/8	1-3/8" x 6-1/8"	Angle scaling chisel
WF-14G	5/8" x 6"	Gouge chisel
WF-14-7-1/8	1/2" x 7-1/8"	Chisel blank
WF-14-7	3/4" x 7"	Flat scaling chisel

Part Number	Dimension
Round Needle Housings	
NS11A	With 5" (127 mm) steel needles
NS11AS	With 5" (127 mm) stainless steel needles
NS11A7	With 7" (178 mm) extended steel needles - optional
Rectangular Needle Housings	
NS11BB	5" (127 mm) beryllium cooper needles
NS11BS	With 5" (127 mm) stainless steel needles
NS11B7	7" (178 mm) extended steel needles
Replacement Needles — Set of 19 Needles	
NS11-22-19	5" (127 mm) steel needles - standard
NS11-B22-19	5" (127 mm) beryllium cooper needles - optional
NS11-S22-19	5" (127 mm) stainless steel needles - optional
NS11-122-19	7" (178 mm) extended steel needles - optional

SANDING AND POLISHING PADS



INGERSOLL RAND SANDING AND POLISHING PADS

Whatever your surface preparation needs happen to be, we offer a full range of sanding, backing, and polishing pads. Genuine Ingersoll Rand pads are specifically engineered to work at the tolerances of our powerful tools, ensuring you get the best finishes possible.

SANDING AND POLISHING PADS

Firm Pads



310-825-6

Part Number	Description	For Use With
Firm Pads		
310-825-6	6" Firm pad for medium to heavy stock removal, cloth-backed, dual action backing pad, standard-duty	310, 311A

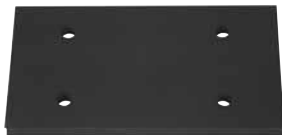
Vinyl Pads



311-825-6

Part Number	Description	For Use With
Vinyl Pads		
311-825-6	6" Vinyl pad, standard-duty	310, 311
311A-825-6	6" Vinyl pad, dual action backing pad, standard-duty	310, 311, 311A

Straight Line Pads



312-225

Part Number	Description	For Use With
Straight Line Pads		
312-225	3-2/3" x 6-3/4" Straight line pad	312, 312A
315-39	Straight line sanding pad	315

Backing Pads



313A-825-7



317A-825

Part Number	Description	For Use With
Backing Pads		
313A-825-7	7" Rigid backing pad, standard-duty	313, 313A, 314, 314A, 318, 318A, 319, & 319A
317A-825	3" & 5" backing pads	317, 317A

Pad Nut



313-226

Part Number	Description	For Use With
Pad Nut		
313-226	Pad nut	Cyclone T & H and G2 Series grinders
313A-226	Pad nut	Cyclone T & H and G2 Series grinders

SANDING AND POLISHING PADS

Sanding and Polishing Pads



D94SK-228A

Part Number	Description	For Use With
Sanding and Polishing Pads		
D94SK-228A	6-1/2" Pad	328B
6135A	Polishing pad 8" diameter, 2" thick polyester foam	313, 313A, 314, 314A, 318, 318A, 319, & 319A

Soft Edge Pads



6123A

Part Number	Description	For Use With
Soft Edge Pads		
6123A	5" Soft edge for medium support, cloth-backed, dual action backing pad	310, 311A
6121A	6" Soft edge for medium support, cloth-backed, dual action backing pad	310, 311A

Firm Edge Pads



6122A

Part Number	Description	For Use With
Firm Edge Pads		
6122A	5" Firm edge for firm support, cloth-backed, dual action backing pad	310, 311A
6120A	6" Firm edge for firm support, cloth-backed, dual action backing pad, heavy-duty	310, 311A

Wool Polishing Bonnet



P500-850

Part Number	Description	For Use With
Wool Polishing Bonnet		
P500-850	7" Wool polishing bonnet	313, 313A, 314, 314A, 318, 318A, 319, & 319A

Flexible Backing Pad



6130A

Part Number	Description	For Use With
Flexible Backing Pad		
6130A	7" Flexible backing pad, heavy-duty	313, 313A, 314, 314A, 318, 318A, 319, & 319A

Sanding Pad Assembly



328A-826

Part Number	Description	For Use With
Sanding Pad Assembly		
328A-826	8" Sanding pad assembly, dual action backing pad, standard-duty	328B



Work

SANDING AND POLISHING PADS

Non-vacuum Pads



49094-1

Part Number	Description	For Use With
Non-vacuum Pads		
49094-1	5" Non-vacuum vinyl pad	4151 & 4152 Series, Cyclone Standard, Cyclone Select, and CycloVAC
49879-1	6" Non-vacuum vinyl pad	4151 & 4152 Series, Cyclone Standard, Cyclone Select, and CycloVAC
49880-1	6" Non-vacuum duck pad	4151 & 4152 Series, Cyclone Standard, Cyclone Select, and CycloVAC

Vacuum Pads



49096-1

Part Number	Description	For Use With
Vacuum Pads		
49096-1	5" Vacuum petal pattern pad	4151 & 4152 Series, Cyclone Standard, Cyclone Select, and CycloVAC
49099-1	6" Vacuum petal pattern pad	4151 & 4152 Series, Cyclone Standard, Cyclone Select, and CycloVAC
49694	6" Vacuum hook and loop pattern pad	4151 & 4152 Series, Cyclone Standard, Cyclone Select, and CycloVAC

Sanding Pads



49095

Part Number	Description	For Use With
Sanding Pads		
49095	5" Sanding pad	4151 & 4152 Series, Cyclone Standard, Cyclone Select, and CycloVAC
49097	6" Sanding pad	4151 & 4152 Series, Cyclone Standard, Cyclone Select, and CycloVAC
49097-1	6" Sanding Pad	4151 & 4152 Series, Cyclone Standard, Cyclone Select, and CycloVAC

Duck Face Pad



49095-1

Part Number	Description	For Use With
Duck Face Pad		
49095-1	5" Duck face pad	4151 & 4152 Series, Cyclone Standard, Cyclone Select, and CycloVAC

SANDING AND POLISHING PACKS AND KITS

Pad and Abrasive Kits



LG1-K2



LG1-K3

Part Number	Description	For Use With
Pad and Abrasive Kits		
LG1-K2	Color-coded pad & abrasive kit; 2" with 1/4" shank	C Series, G1, 302A, 308A, 3102, & 3108 angle finishing tools
LG1-K3	Color-coded pad & abrasive kit; 3" with 1/4" shank	C Series, G1, 302A, 308A, 3102, & 3108 angle finishing tools

Sanding Pad Assembly (medium)



77A-AM825-5

Part Number	Description	For Use With
Sanding Pad Assembly (medium)		
77A-AM825-5	5" Sanding pad assembly (medium)	H Series, G2, ErgoPro Series, & Pro Series
77A-AM825-7	7" Sanding pad assembly (medium)	H Series, G2, ErgoPro Series, & Pro Series

Sanding Pad Assembly (firm)



77A-AM825-9

Part Number	Description	For Use With
Sanding Pad Assembly (firm)		
77A-AM825-9	9" Sanding pad assembly (firm)	H Series, G2, ErgoPro Series, & Pro Series



Work

SANDING BELTS

Sanding Belts (1/4" x 18")



LG1-SB418-60-10

Part Number	Description	Grit	For Use With
Sanding Belts (1/4" x 18")			
LG1-SB418-60-10	Pack of 10 sanding belts	60	CA120RS418, CA200RS418
LG1-SB418-80-10	Pack of 10 sanding belts	80	CA120RS418, CA200RS418
LG1-SB418-100-10	Pack of 10 sanding belts	100	CA120RS418, CA200RS418

Sanding Belts (1/2" x 12")



LG1-SB812-100-10

Part Number	Description	Grit	For Use With
Sanding Belts (1/2" x 12")			
LG1-SB812-60-10	Pack of 10 sanding belts	60	CA120RS812, CA200RS812
LG1-SB812-80-10	Pack of 10 sanding belts	80	CA120RS812, CA200RS812
LG1-SB812-100-10	Pack of 10 sanding belts	100	CA120RS812, CA200RS812

Sanding Belts (1/2" x 18")



LG1-SB818-60-10

Part Number	Description	Grit	For Use With
Sanding Belts (1/2" x 18")			
LG1-SB818-60-10	Pack of 10 sanding belts	60	CA120RS818, CA200RS818
LG1-SB818-80-10	Pack of 10 sanding belts	80	CA120RS818, CA200RS818
LG1-SB818-100-10	Pack of 10 sanding belts	100	CA120RS818, CA200RS818

CARBIDE GRINDING BURS



INGERSOLL RAND CARBIDE GRINDING BURS

Ingersoll Rand carbide burs set the industry standard for quality and are the perfect complement to our innovative grinders and finishing tools. You'll find a complete range of versatile, durable, high-precision burs, in a variety of types, styles, and sizes.

CYLINDRICAL-SHAPED BURS

1/8" Cylindrical-shaped Burs



Part Number	Type Of Cut	Diameter Head	Shank	Length Of Cut
1/8" Cylindrical-shaped Burs*				
IRSA-11	Super cut	1/8"	1/4"	1/2"

1/4" Cylindrical-shaped Burs



Part Number	Type Of Cut	Diameter Head	Shank	Length Of Cut
1/4" Cylindrical-shaped Burs*				
IRSA-1	Super cut	1/4"	1/4"	5/8"
IRSA-1L	Super cut	1/4"	1/4"	1"

5/16" Cylindrical-shaped Burs



Part Number	Type Of Cut	Diameter Head	Shank	Length Of Cut
5/16" Cylindrical-shaped Burs**				
IRSA-2	Super cut	5/16"	1/4"	3/4"
IRSA-2F	Fine cut	5/16"	1/4"	3/4"

3/8" Cylindrical-shaped Burs



Part Number	Type Of Cut	Diameter Head	Shank	Length Of Cut
3/8" Cylindrical-shaped Burs**				
IRSA-3	Super cut	3/8"	1/4"	3/4"
IRSA-3F	Fine cut	3/8"	1/4"	3/4"

1/2" Cylindrical-shaped Burs



Part Number	Type Of Cut	Diameter Head	Shank	Length Of Cut
1/2" Cylindrical-shaped Burs**				
IRSA-5	Super cut	1/2"	1/4"	1"
IRSA-5EC	Super End cut	1/2"	1/4"	1"
IRSA-5F	Fine cut	1/2"	1/4"	1"

1/4" Cylindrical-shaped Burs (radius nose)



Part Number	Type Of Cut	Diameter Head	Shank	Length Of Cut
1/4" Cylindrical-shaped Burs (radius nose)*				
IRSC-1	Super cut	1/4"	1/4"	1"

*Solid carbide bur.
**Solid carbide with steel shank.

BALL-SHAPED BURS

Ball-shaped Burs



Part Number	Type Of Cut	Diameter Head	Shank	Length Of Cut
Ball-shaped Burs*				
IRSD-1	Super cut	1/4"	1/4"	1/4"
IRSD-3	Super cut	3/8"	1/4"	3/8"

*Solid carbide bur.

CONE-SHAPED BURS (RADIUS NOSE)

Cone-shaped Burs (radius nose)



Part Number	Type Of Cut	Diameter Head	Shank	Length Of Cut
Cone-shaped Burs (radius nose)*				
IRSL-2	Super cut	5/16"	1/4"	3/4"
IRSL-3	Super cut	3/8"	1/4"	3/8"

*Solid carbide with steel shank.

TREE-SHAPED BURS

1/4" Tree-shaped (pointed nose)



Part Number	Type Of Cut	Diameter Head	Shank	Length Of Cut
1/4" Tree-shaped (pointed nose)*				
IRSF-1	Super cut	1/4"	1/4"	5/8"

3/8" Tree-shaped (pointed nose)



Part Number	Type Of Cut	Diameter Head	Shank	Length Of Cut
3/8" Tree-shaped (pointed nose)**				
IRSF-3	Super cut	3/8"	1/4"	3/4"

1/2" Tree-shaped (pointed nose)



Part Number	Type Of Cut	Diameter Head	Shank	Length Of Cut
1/2" Tree-shaped (pointed nose)**				
IRSF-5	Super cut	1/2"	1/4"	1"

5/16" Tree-shaped (radius nose)



Part Number	Type Of Cut	Diameter Head	Shank	Length Of Cut
5/16" Tree-shaped (radius nose)**				
IRSG-2	Fine cut	5/16"	1/4"	3/4"

*Solid carbide bur.

**Solid carbide with steel shank.

8-PIECE BUR KIT

Eight of the most popular Ingersoll Rand burs, packaged in a wood case.

8-Piece Bur Kit



Part Number	Type Of Cut	Includes	Shank
8-Piece Bur Kit*			
814	Cylindrical-shaped bur	IRSA-3	1/4"
	Cylindrical-shaped bur	IRSA-5	1/4"
	Cylindrical-shaped bur (radius nose)	IRSC-1	1/4"
	Cylindrical-shaped bur (radius nose)	IRSC-3	1/4"
	Ball-shaped bur	IRSD-1	1/4"
	Ball-shaped bur	IRSD-3	1/4"
	Tree-shaped bur	IRSF-3	1/4"
	Tree-shaped bur	IRSF-5	1/4"

*Includes wood case.



Work

SAW BLADES AND ACCESSORIES



INGERSOLL RAND SAW BLADES AND ACCESSORIES

Given today's high-strength steels, advanced plastics, and new composite materials, we at Ingersoll Rand strive to provide you with the best saw blades and accessories for the task at hand. Our line is designed to work specifically with Ingersoll Rand air reciprocating and circular saws.

SAW BLADES AND ACCESSORIES

Saw Blades



4429-500

Part Number	Description	Blade Type	For Use With
Saw Blades			
4429-500	1 fine blade (32 teeth per inch) and 1 coarse blade (24 teeth per inch)	Fine and coarse	IR4429
329-500	3 fine blades (32 teeth per inch) and 3 coarse blades (24 teeth per inch)	Fine and coarse	IR429 and IR4429
329-F500	6 blades (32 teeth per inch)	Fine	IR429 and IR4429
329-C500	6 blades (24 teeth per inch)	Coarse	IR429 and IR4429

Saw Blade Kit (7 blades)



205885

Part Number	Description	For Use With
Saw Blade Kit (7 blades)		
205885	7 blade kit	SRA010A1

Circular Saw Blade



B12-257R

Part Number	Description	For Use With
Circular Saw Blade		
B12-257R	Cross cut, ripping planer blade	S120

S120 Circular Saw Accessories



S12-506

Part Number	Description	For Use With
S120 Circular Saw Accessories		
S12-A86	Abrasive blade flange kit, used with B12-257R	S120
S12-506	Depth gauge bracket	S120

COLLETS



INGERSOLL RAND COLLETS

As you'd expect from any Ingersoll Rand part, tool, or accessory, our collets are engineered to the highest level of performance and durability. They're designed to perform to the exacting specifications of our world-class grinders.

COLLETS

Tapper Collets



Part Number	Size	Where Used
Tapper Collets		
2U-103-1/4	1/4"	Tappers
4U-103-1/2	1/2"	Tappers

Die Grinder Collets



DG110-700-6MM



DG110-700-G2



DG120-700-G6



G160HD-700-1/4

Part Number	Size	Where Used
Die Grinder Collets		
DG110-700-6MM	6 mm	Metric die grinder
DG110-700-G2	1/8"	Die grinder
DG110-700-G4	1/4"	Die grinder
DG120-700-G6	3/8"	Die grinder
G160HD-700-1/4	1/4"	Die and horizontal grinders

Horizontal Grinder Collet Body Assemblies



RO-A390-1/4



DG220-A290-G6

Part Number	Size	Description	Where Used
Horizontal Grinder Collet Body Assemblies			
RO-A390-1/4	1/4"	Collet adapter for wheel grinder	All grinders ending in H63 and H64
DG220-A290-G4	1/4"	Replacement collet body assembly	All grinder models ending in G4, except C Series and G1 Series
DG220-A290-G6	3/8"	Replacement collet body assembly	All grinder models ending in G6

Collet Wrenches



Part Number	Size
Collet Wrenches	
DG20-69A	11/16" x 7/16"
DG120-69	5/8" x 3/4"

DRILL ACCESSORIES



INGERSOLL RAND DRILL ACCESSORIES

No matter what your drilling, reaming, honing, or brushing needs may be, count on Ingersoll Rand for a variety of versatile chucks, adapters, and all other drilling accessories you need to get the job done right.

DRILL ADAPTERS

Square Drive Adapter



Part Number	Thread Size	Morse Taper Number	Drive Size
Square Drive Adapter			
R0H-P212-3/8	3/8" x 24	N/A	3/8"

Socket Adapters



R4J-214



R5SM-214

Part Number	Morse Taper Number	Drive Size
Socket Adapters		
R4J-214	3	3/4"
R5SM-214	5	1"

Quick Change Adapter



Part Number	Thread Size	Morse Taper Number	Drive Size
Quick Change Adapter			
R0H-A925-4	3/8" x 24	N/A	1/4"

DRILL CHUCKS

Drill Chucks



Part Number	Chuck Size	Thread Size	Corresponding Chuck Key
Drill Chucks			
7802-99	0 – 3/8"	3/8" x 24	R00B2J70-J253
7803-99	0 – 1/2"	3/8" x 24	R1T-J253
R1N-99A	0 – 1/2"	1/2" x 20	N/A
R2H-99	1/8" – 5/8"	45/64" x 16	N/A

Keyless Chucks



Part Number	Chuck Size	Thread Size	Corresponding Chuck Key
Keyless Chucks			
728-99-KC5	0 – 3/8" Keyless	3/8" x 24	N/A
728-99-KC8	0 – 1/2" Keyless	3/8" x 24	N/A

Standard-duty Chucks



Part Number	Chuck Size	Thread Size	Corresponding Chuck Key
Standard-duty Chucks			
7801-99-6	0 – 3/8" Standard-duty	3/8" x 24	728N-253
7806-99-8	0 – 1/2" Standard-duty	3/8" x 24	728N-253

Medium-duty Chucks



Part Number	Chuck Size	Thread Size	Corresponding Chuck Key
Medium-duty Chucks			
R0H-99	0 – 1/4" Medium-duty	3/8" x 24	R1H-J253

Heavy-duty Chucks



Part Number	Chuck Size	Thread Size	Corresponding Chuck Key
Heavy-duty Chucks			
6A-99	0 – 3/8" Heavy-duty	3/8" x 24	R0J-J253
R00A-99	0 – 1/4" Heavy-duty	3/8" x 24	R00A-J253
R0K-99	5/64" – 1/2" Heavy-duty	3/8" x 24	R1T-J253



Work

LARGE DRILL ACCESSORIES

Square Drive Socket Adapter



Part Number	Description	For Use With
Square Drive Socket Adapter		
DE-215A	1/2" Square drive socket adapter	Series 22

Chucks & Nuts



Part Number	Description	For Use With
Chucks & Nuts		
DE-99C	3-jaw key chuck	Series 22
T05-99A	3-jaw key chuck	Series 2X
T12-347	Chuck nut	Series 3S & 33S
TA-461	Nut	Series 551S

Morse Taper Socket



Part Number	Description	For Use With
Morse Taper Socket		
DE-323A-2	#2 Morse taper socket	Series 22

Wood Bit Chucks & Accessories



Part Number	Description	For Use With
Wood Bit Chucks & Accessories		
K-27	Wood bit chuck wrench	Series 2X & 22
R33SW-151-1/2	Wood bit chuck	Series 3S
TA-A291	Wood bit chuck assembly	Series 551S

Large Drill Accessories



TC-365

Part Number	Description	For Use With
Large Drill Accessories		
TC-365	Suspension ring	Series 3S & 33S
TC-461	Feed screw cover	Series 3S & 33S

SCREWDRIVER AND NUTRUNNER ACCESSORIES



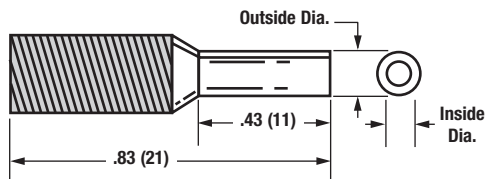
INGERSOLL RAND SCREWDRIVER AND NUTRUNNER ACCESSORIES

Ingersoll Rand screwdriver bits and accessories are designed to enhance the productivity and performance of your light assembly tools. These rugged screwdriver bits are available in a variety of sizes to satisfy all your fastening needs.

VACUUM PICK-UP SLEEVES

For use with DC electric screwdriver models EL0410BC and EL1007BC.

Vacuum Pick-up Sleeves



Part Number	Complementing Bit Part Number	Inside Diameter in (mm)	Outside Diameter in (mm)
Vacuum Pick-up Sleeves			
DLS2120	DLB2122-10	.079" (2.0)	.138" (3.5)
DLS2122	DLB2122-10	.098" (2.5)	.138" (3.5)
DLS2123	DLB2122-10	.106" (2.7)	.138" (3.5)
DLS2124	DLB2122-10	.122" (3.1)	.138" (3.5)
DLS2125	DLB2124-10	.130" (3.3)	.177" (4.5)
DLS2126	DLB2124-10	.138" (3.5)	.177" (4.5)
DLS2127	DLB2124-10	.146" (3.7)	.177" (4.5)
DLS2128	DLB2126-10	.158" (4.0)	.177" (4.5)
DLS2129	DLB2126-10	.165" (4.2)	.212" (5.5)
DLS2130	DLB2126-10	.177" (4.5)	.212" (5.5)
DLS2131	DLB2128-10, DLB2130-10, XP161, XPZ161, XRP161	.185" (4.7)	.212" (5.5)
DLS2132	DLB2128-10, DLB2130-10, XP161, XPZ161, XRP161	.201" (5.1)	.212" (5.5)
DLS2133	DLB2128-10, DLB2130-10, XP161, XPZ161, XRP161	.209" (5.3)	.256" (6.5)
DLS2134	DLB2128-10, DLB2130-10, XP161, XPZ161, XRP161	.221" (5.6)	.256" (6.5)
EL0410BC-53	DLB2128-10, DLB2130-10, XP161, XPZ161, XRP161	.240" (6.1)	.267" (7.0)

1/4" HEX DETENTED SHANK BITS

For use with all screwdriver models.

Phillips Bits



Part Number	Bit Length	Point Size	Quantity
Phillips Bits			
XP161	1-15/16"	1	2
XP162	1-15/16"	2	2
XP221	2-3/4"	1	2
XP222	2-3/4"	2	2
XP223	2-3/4"	3	2
XP481	6"	1	2
XP483	6"	3	2

Pozidriv™ Bits



Part Number	Bit Length	Point Size	Quantity
Pozidriv™ Bits			
XPZ161	1-15/16"	1	2
XPZ163	1-15/16"	3	2

1/4" HEX DETENTED SHANK BITS

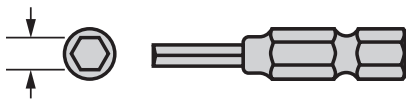
For use with all screwdriver models.

Reed and Prince Head Bit



Part Number	Bit Length	Point Size	Quantity
Reed and Prince Head Bit			
XRP161	1-15/16"	1	1

Hex Socket Head Bits



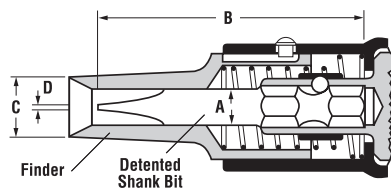
Part Number	Bit Length	Point Size	Quantity
Hex Socket Head Bits			
HX135	1-15/16"	5/32" Hex	2
HX138	1-15/16"	1/4" Hex	2

1/4" HEX SHANK ACCESSORIES

Detented Bits and Finders



Bit



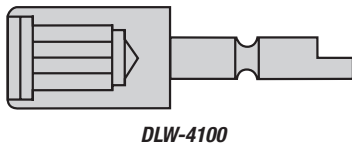
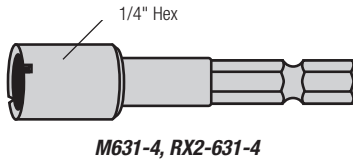
Part Number	Description
Detented Bits	
XF167	#5 slotted head bit 1-15/16"
XF1612	#12 slotted head bit 1-15/16"
Detented Non-rotating Finders	
F167F1	Non-rotating finder for XF167
F1612F1	Non-rotating finder for XF1612



Work

1/4" HEX SHANK ACCESSORIES

Insert Bit Holders



Part Number	Description	For Use With
Insert Bit Holders		
M631-4	Magnetic	All screwdriver models
RX2-631-4	Non-magnetic	All screwdriver models
DLW-4100	Slotted bit holder	EL0109B

Phillips Insert Bit Holder



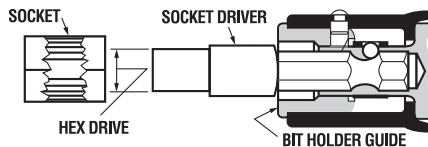
Part Number	Description	Point Size	Quantity
Phillips Insert Bit Holder			
XPB073	Phillips bits for 1/4" insert holders	3	5

Pozidriv™ Insert Bit Holder



Part Number	Description	Point Size	Quantity
Pozidriv™ Insert Bit Holder			
XPZB072	Pozidriv™ bits for 1/4" insert holders	2	5

Socket Driver and Socket

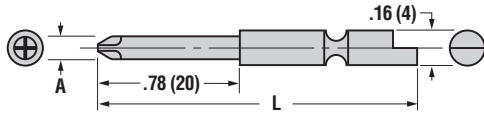


Part Number	Hex Drive	Socket Size
Socket Driver		
HD168	1/4"	N/A
Socket		
HS8	1/4"	7/16"

SLOTTED SCREWDRIVER BITS

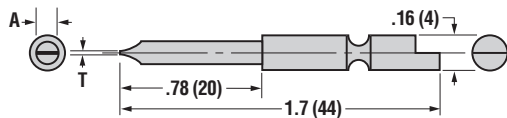
For use with screwdriver model EL0109B.

Phillips Bits



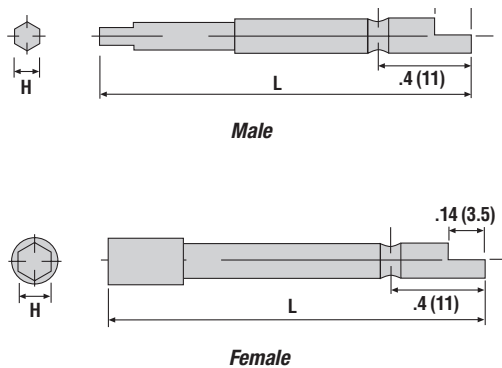
Part Number (quantity 10)	Point Size	"A" Diameter in (mm)	"L" Length	Screw Size Range	Quantity
Phillips Bits					
DLB2120-10	0	.069" (1.753)	1.7"	0 – 1	10
DLB2121-10	0	.069" (1.753)	2.5"	0 – 1	10
DLB2122-10	00	.074" (1.880)	1.7"	00 – 0	10
DLB2123-10	00	.077" (1.956)	2.5"	00 – 0	10
DLB2124-10	0	.096" (2.438)	1.7"	0 – 1	10
DLB2125-10	0	.096" (2.438)	2.5"	0 – 1	10
DLB2126-10	1	.117" (2.972)	1.7"	2 – 4	10
DLB2127-10	1	.118" (2.997)	2.5"	2 – 4	10
DLB2128-10	1	.156" (3.962)	1.7"	2 – 4	10
DLB2129-10	1	.157" (3.988)	2.5"	2 – 4	10
DLB2130-10	2	.156" (3.962)	1.7"	5 – 10	10
DLB2131-10	2	.157" (3.988)	2.5"	5 – 10	10
DLB2132-10	3	.235" (5.969)	1.7"	10 – 1/4	10

Slot Bits



Part Number	"T" Size	"A" Diameter in (mm)	"L" Length	Screw Size Range	Quantity
Slot Bits					
DLB2220-10	0.012	.078" (1.981)	1.7"	00 – 0	10
DLB2221-10	0.012	.097" (2.464)	1.7"	00 – 0	10
DLB2222-10	0.016	.116" (2.946)	1.7"	0 – 2	10
DLB2223-10	0.02	.157" (3.988)	1.7"	2 – 4	10
DLB2224-10	0.026	.196" (4.987)	1.7"	3 – 5	10

Hexagon, Male and Female



Part Number	Screw Size	"H" Hex Size in (mm)	"L" Length	Use Diagram	Quantity
Hexagon, Male and Female					
DLB2321-10	0.12	.06" (1.5)	1.7"	Male	10
DLB2322-10	0.16	.08" (2)	1.7"	Male	10
DLB2323-10	0.24	.12" (3)	1.7"	Male	10
DLB2324-10	0.31	.16" (4)	1.7"	Male	10
DLB2420-10	N/A	.09" (2.3)	1.7"	Female	10
DLB2421-10	N/A	.10" (2.5)	1.7"	Female	10
DLB2422-10	N/A	.12" (3)	1.7"	Female	10
DLB2423-10	0.08	.16" (4)	1.7"	Female	10
DLB2424-10	0.09	.18" (4.5)	1.7"	Female	10
DLB2425-10	0.1	.20" (5)	1.7"	Female	10
DLB2426-10	0.12	.22" (5.5)	1.7"	Female	10



Work

SCREWDRIVER BITS

For use with screwdriver model EL0109B.

Torx5™ Head Screws



Part Number	Point Size	Length	Quantity
Torx5™ Head Screws			
DLBT825	8	2.5"	10

SCREWDRIVER AND NUTRUNNER ACCESSORIES

Power Bits for Recessed Head Screws



Part Number	Description	Bit Size	Length
Power Bits for Recessed Head Screws			
P283-7	Phillips	3 pt	3-1/2"
P284-7	Phillips	4 pt	3-1/2"
P363-7	Phillips	3 pt	4-1/2"
HX206-7	Allen head	3/16" Hex	3-1/2"
HX207-7	Allen head	7/32" Hex	3-1/2"
HX208-7	Allen head	1/4" Hex	3-1/2"
HX2010-7	Allen head	5/16" Hex	3-1/2"
HX2012-7	Allen head	3/8" Hex	3-1/2"

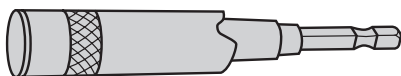
Bit Guides



Part Number	Point Size
Bit Guides*	
5RA-P730-1	1
5RA-P730-2	2
5RA-P730-3	3

*For use with pistol and lever screwdriver models ending in 3.

Bits with Rotating Finders



Part Number	Description
Bits with Rotating Finders*	
XR306	#6 slotted head bit
XR308	#8 slotted head bit
XR3010	#10 slotted head power bit
XR3012	#12 slotted head power bit

*For use with all screwdriver models.

Shaker Boxes



Part Number	Description	Size
Shaker Boxes		
DLW3400	Round metal box	3-15/16" diameter
DLW3600	Rectangular plastic box	5-1/2" x 3-7/8"
DLW3800	Rectangular plastic box	6-11/16" x 4-7/8"

SCREWDRIVER AND NUTRUNNER ACCESSORIES

Power Screwdriver Adapters



Part Number	Bit Size	Square Driver Size
Power Screwdriver Adapters		
2U-812	5/16" Square	3/8"
4U-812	5/16" Square	1/2"

Power Square Insert Bits



Part Number	Description	Bit Size	Quantity
Power Square Insert Bits*			
SPB082-5	Phillips bit	2	5
SPB083-5	Phillips bit	3	5
SPB084-5	Phillips bit	4	5

*Used with power screwdriver adapters.

Power Driver Extensions



Part Number	Drive Size	Length
Power Driver Extensions		
7175P	3/8"	3"
7181P	1/2"	5"

Power Quick Change Chucks



Part Number	Drive Size (female)	Hex Chuck Size (female)
Power Quick Change Chucks		
2U-A925-4	3/8"	1/4"
502-A925-7	3/8"	7/16"
4U-A925-7	1/2"	7/16"

Power Universal Joints



Part Number	Drive Size	Length	Major Diameter
Power Universal Joints			
7270P	3/8" Square	2-3/8"	15/16"
7470P	1/2" Square	2-3/4"	1-1/8"

Power Socket Adapter



Part Number	Female End	Male End
Power Socket Adapter		
2U-215	3/8"	1/2"



Work



USER ACCESSORIES



For generations, the world has turned to Ingersoll Rand for tools, equipment, and accessories that withstand the rigors of the most demanding work environments. But productivity goes beyond product, and we stand as proudly behind our users as we do our products.

At Ingersoll Rand, we're a leader in designing tools with ergonomic features, as well as in providing parts and accessories that keep users working as safely and comfortably as possible.





USER ACCESSORIES



USER ACCESSORIES

Gloves	209
Ergonomic Accessories	211
Balancers	217
Point-of-Use Accessories	223
Exhaust Kits and Accessories	233
Vacuum Kits and Accessories	235
Mufflers	237
Precision Fastening Accessories	239

GLOVES



INGERSOLL RAND GLOVES

With the Ingersoll Rand line of durable work gloves, you can pair up the market's toughest tools — ours — with gloves that offer the utmost in protection, comfort, and performance.

GLOVES

IR-G Series



Protection

Part Number	Description	Quantity	Size
IR-G Series			
IR-GM	Ingersoll Rand mechanic gloves	10	Medium
IR-GL	Ingersoll Rand mechanic gloves	10	Large
IR-GXL	Ingersoll Rand mechanic gloves	10	Extra large

IR-G Series

- Provide protection during day-to-day jobs
- Machine washable Clarino® synthetic palm construction allows full finger dexterity and enhanced tool handling
- Spandex top ensures comfortable fit

TGSL-G Series



Protection, Comfort

Part Number	Description	Quantity	Size
TGSL-G Series			
TGSL-GM	ThunderGun impact gloves	10	Medium
TGSL-GL	ThunderGun impact gloves	10	Large
TGSL-GXL	ThunderGun impact gloves	10	Extra large

TGSL-G Series

- Silicon gel palm padding reduces tool vibrations and minimizes fatigue
- Machine washable Clarino® synthetic palm construction allows full finger dexterity and enhanced tool handling
- Airprene knuckle panel provides greater protection, ventilation, and comfort
- Looks great with the ThunderGun impact wrench

TNT-G Series



Protection, Comfort, Performance

Part Number	Description	Quantity	Size
TNT-G Series			
TNT-GM	Titanium impact gloves	10	Medium
TNT-GL	Titanium impact gloves	10	Large
TNT-GXL	Titanium impact gloves	10	Extra large

TNT-G Series

- Silicon finger and thumb grippers enhance tool control
- Neoprene top offers impact protection while allowing increased comfort and dexterity
- 3 mm gel palm pads reduce hand fatigue
- Ideal for Ingersoll Rand titanium tools

ERGONOMIC ACCESSORIES



INGERSOLL RAND ERGONOMIC ACCESSORIES

Ingersoll Rand offers a handy line of ergonomic accessories that enable you to work safer and more comfortably. Our tool boots absorb vibrations and protect the tool from external damage. Ingersoll Rand comfort grips protect you from mechanical shocks and tool vibration, and our braces allow for more consistent torque output and eliminate the need for a dead handle.

PROTECTIVE TOOL BOOTS

- Specifically designed for use with our air impact wrenches, ratchets, and drills
- Keep your tools clean and protected from external damage

Protective Tool Boots



104-P32



2112-P32



2130-P32



2135-P32



Part Number	Description	For Use With
Protective Tool Boots		
100PQ-2	Rubber boot cover	100PQ1
104-P32	Ratchet head boot with IR logo printed on blue boot	104 MOD. A
106-P32	Ratchet head boot with IR logo printed on blue boot	107XP, 1077XP
109-P32	Ratchet head boot with IR logo printed on blue boot	109XP, 1099XP
1100P-2	Rubber boot cover	1100P
1410P-2	Rubber boot cover	1410P
180PQ-2	Rubber boot cover	180PQ1
180SQ-2	Rubber boot cover (screwdriver)	180SQ1
1900P-2	Rubber boot cover	1900P
1900PS4-2	Rubber boot cover	1900PS4
202-P32	3/8" Impact wrench boot with IR logo printed on blue boot	212
2112-P32	Impact wrench boot with white IR logo printed on black & gray boot	2112, 2125
2115-P32	Impact wrench boot	2115Ti, 2125QTi
211-P32	3/8" Impact wrench boot with IR logo printed on blue boot	211
2130-P32	Impact wrench boot	2130, 2130-2
2131-P32	Impact wrench boot with white IR logo printed on black & gray boot	2131A & 2131AS-2
2135-P32	Impact wrench boot	2135Ti, 2135Ti-2, 2135QTi, & 2135QTi-2
2141-P32	Impact wrench boot with white IR logo printed on black & gray boot	2141

PROTECTIVE TOOL BOOTS

Protective Tool Boots



215-P32



252-P32



232TGSL-P32



TGSL2-P32



7802-P32

Part Number	Description	For Use With
Protective Tool Boots		
215-P32	Impact wrench boot	215
2161-P32	Impact wrench boot	2161XP, 2161XP-6
2190-P32	Impact wrench boot	2190Ti, 2190Ti-6
225-P32	Impact wrench boot	225
231-P32	Impact wrench boot	231K, 231HA, & 231HA-2
232TGSL-P32	ThunderGun "Street Legal" Impact wrench boot	232TGSL
235-P32	1/2" Impact wrench boot	235
244-P32	Impact wrench boot	244A, 244A-2, & 2707
252-P32	Impact wrench boot with IR logo printed on blue boot	252
255-P32	Impact wrench boot with IR logo printed on blue boot	258
261-P32	Impact wrench boot with IR logo printed on blue boot	261, 261-3, 261-6, 1720, & 2920
280PQ-2	Rubber boot cover	280P & 280PQ1
280SQ-2	Rubber boot cover (screwdriver)	280SQ1
285-P32	Impact wrench boot	285A, 285A-6, & 285A-S6
295-P32	Impact wrench boot	295, 295-S
3000P-2	Rubber boot cover	3000P
380PQ-2	Rubber boot cover	380P & 380PQ1
380SQ-2	Rubber boot cover (screwdriver)	380SQ1
500PQ-2	Rubber boot cover	500P & 500PQ1
500PS3-2	Rubber boot cover	500PS3
700P-2	Rubber boot cover	700P
7802-P32	3/8" Air drill cover, blue boot	7802A, 7802RA, & 7802RKC
900P-2	Rubber boot cover	900P
900PS4-2	Rubber boot cover	900PS4
TGSL2-P32	Titanium ThunderGun boot	232GTi



User

COMFORT GRIPS

- Provide excellent energy adsorption and vibration dampening
- Reduced shock and fatigue



Assembly Tool Grips



CG-6X8



CG-7RLD

Part Number	Description	For Use With
Assembly Tool Grips		
CG-3RL	Straight lever screwdriver grip	3 Series
CG-3RP	Straight push-to-start screwdriver grip	3 Series
CG-3RT	Pistol & tapper grip	3 Series
CG-4RL	Straight lever grip	4 Series
CG-4RT	Pistol grip	4 Series
CG-5RA	Pistol grip	5 Series
CG-5RL	Straight lever grip	5 Series
CG-6A	Pistol grip	6 Series drill
CG-6WT	Angle wrench with non-reversible shut-off grip	6 Series
CG-6X8	Comfort grip – 6" x 8" sheet with tape	For all Series
CG-7A	Pistol grip	7 Series drills
CG-7RA	Pistol & tapper grip	7 Series
CG-7RL	Straight lever grip	7 Series
CG-7RLD	Reversible angle wrench grip	7 Series
CG-ST42	42" Roll of seam tape	For all Series

Ratchet Grips



CG-106

Part Number	Description	For Use With
Ratchet Grips		
CG-103	1/4" Drive air ratchet wrench comfort grip	103A, 1033A
CG-104	1/4" Drive air ratchet wrench comfort grip	104A
CG-106	3/8" Drive air ratchet wrench comfort grip	106 Series

Impact Grips



CG-1702P

Part Number	Description	For Use With
Impact Grips		
CG-1702P	Comfort grip — Impact wrench	212
CG-1720P	Comfort grip — Impact wrench	261, 261-3, 261-6, 271, 1720, & 2920
CG-205	Comfort grip — Impact wrench	205
CG-2705	Comfort grip — Impact wrench	231C, 231HA, 231HA-2, & 2705
CG-2707	Comfort grip — Impact wrench	244A, 244A-2, & 2707
CG-2906	Comfort grip — Impact wrench	2906P1
CG-2920P	Comfort grip — Impact wrench	2920P1
CG-2934BA	Comfort grip — Impact wrench	280, 280-6, & 280-S6
CG-2940P	Comfort grip — Impact wrench	293, 293-S

COMFORT GRIPS

Surface Preparation Grips



CG-308

Part Number	Description	For Use With
Surface Preparation Grips		
CG-302	Air angle die grinder	302
CG-308	Air angle die grinder	308
CG-310	Dual action air sander grip	310
CG-311	Dual action quiet sander grip	311A
CG-329	Reciprocating saw grip	429
CG-88V	Vertical grinder & sander grip (both handles)	88V - 88S
CG-99V	Vertical grinder grip (both handles)	99V
49798	Medium black grip rings	Cyclone Standard series
49799	Large blue grip rings	Cyclone Standard series
49801	Small grey grip Rings	Cyclone Standard series

Hammer Grips



CG-72

Part Number	Description	For Use With
Hammer Grips		
CG-72	Air hammer comfort grip	772
CG-AV10A	Grip for percussive tools	Percussive tools
CG-W1A	Grip for percussive tools	Percussive tools

Drill Grips



CG-728

Part Number	Description	For Use With
Drill Grips		
CG-728	Pistol grip	Series 728 Drills
CG-7802	Shear, 3/8" & 1/2" drill (grip only)	Series 7802 & 7803



User

BIO BRACES

Bio Braces



SBB4-IR



Part Number	Description	For Use With
Bio Braces		
SBB4-AR	Bio Brace (over 1,700 rpm)	ARO 50 Series
SBB4-IR	Bio Brace (over 1,200 rpm)	Ingersoll Rand 4 Series
SBB4-VS	Bio Brace	Ingersoll Rand Versatec Series
SEG3A-CGK	Replacement foam grip kit	SEG3A Series

- Ergonomically-designed Bio Brace™ minimizes start-up and shut-off force to your arm
- Eliminates the need for a dead handle, freeing up your other hand

ERGO-GRIP

Ergo-Grip



Part Number	Description	For Use With
Ergo-Grip		
SEG3AH-CL	Ergo-Grip (over 1,700 rpm)	Cleco
SEG3A-IR	Ergo-Grip (1,650 rpm or less)	Ingersoll Rand 3 Series
SEG3-AR	Ergo-Grip (1,500 rpm or less)	ARO 20 Series
SEG3H-AR	Ergo-Grip (over 1,500 rpm)	ARO 20 Series
SEG4-AR	Ergo-Grip (1,700 rpm or less)	ARO 50 Series
SEG4-CGK	Replacement foam grip kit	Series SEG4
SEG4-CL	Ergo-Grip (1,000 rpm or less)	Cleco
SEG4H-AR	Ergo-Grip (over 1,700 rpm)	ARO 50 Series
SEG4H-CL	Ergo-Grip (over 1,000 rpm)	Cleco
SEG4H-IR	Ergo-Grip (over 1,200 rpm)	Ingersoll Rand 4 Series
SEG4-IR	Ergo-Grip (1,200 rpm or less)	Ingersoll Rand 4 Series

- Ergo-Grip™ makes tool operation more comfortable with reduced grip pressure and vibration dampening
- Easy installation:
 1. Unscrew clutch housing.
 2. Slip on grip.
 3. Reattach housing.

BALANCERS



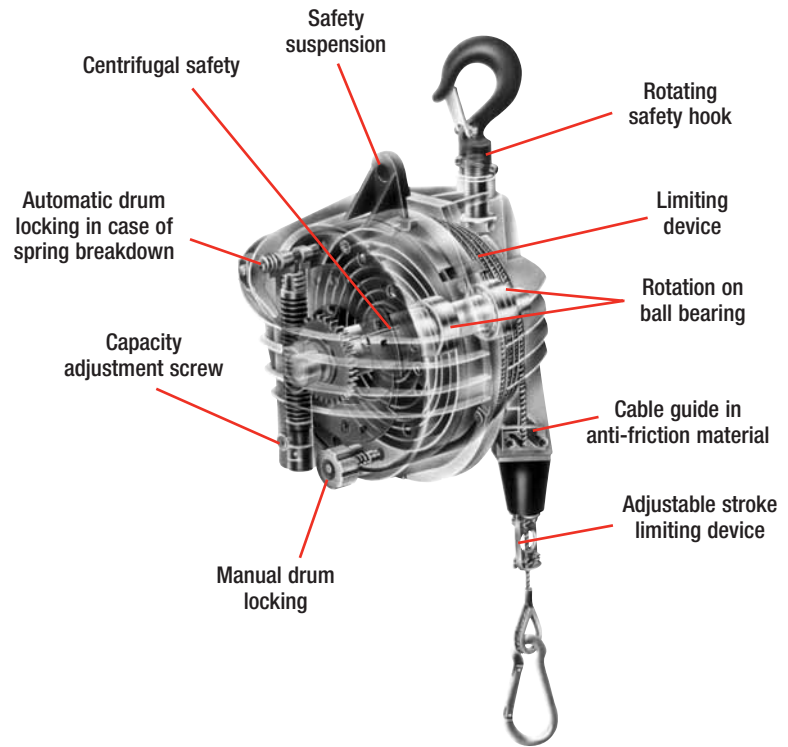
INGERSOLL RAND BALANCERS

With more than 50 models to choose from, there's an Ingersoll Rand balancer to satisfy virtually any balancing requirement. These balancers are ruggedly built of die cast aluminum for strength and reduced weight. They feature easy-to-use controls that allow for accurate spring adjustment.

BALANCERS

BALANCERS FROM INGERSOLL RAND

- 50 models to choose from
- Five different series to meet all balancing requirements
- Lifts ranging from five to nine feet
- Covers weight balancing needs from one to 363 pounds
- Made of rugged die cast aluminum
- Safety locking device on medium, heavy, and super-duty models prevents dropping of the tool should the spring fail
- Easy-to-use controls allow for accurate spring adjustment



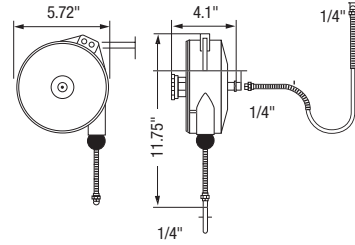
B	M	D	L	L	—	10
Balancer	L = Light M = Medium I = Intermediate H = Heavy S = Super	D = Duty R = Hose reel	L = Long cable (8.2' or 9.85') S = Short cable (6.5')	Locking type (Pull to set – pull again to release)		Upper weight capacity in kilograms

BALANCERS

Hose Reel Balancers



BHR-15



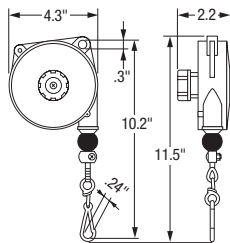
BHR Series

Part Number	Hose Nipple Size	cfm Extended	Capacity lb (kg)	Lift ft (mm)
Hose Reel Balancers — 0.875 – 5.5 lb Capacity				
BHR-8	1/4"	18.4	0.875 – 1.75 (0.397 – 0.794)	4.25 (1295)
BHR-15	1/4"	18.4	1.5 – 3.33 (0.68 – 1.51)	4.25 (1295)
BHR-25	1/4"	18.4	2.625 – 5.5 (1.191 – 2.495)	4.25 (1295)

Light-duty Balancers



BLD1



BLD Series

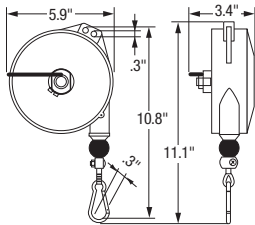
Part Number	Capacity lb (kg)	Weight of Balancer lb (net-kg)	Lift ft (mm)
Light-duty Balancers — 0.9 – 6.6 lb Capacity			
BLD1	0.9 – 2.2 (0.4 – 1)	1.3 (0.6)	5.2 (1600)
BLD1/P (nylon cable)	0.9 – 2.2 (0.4 – 1)	1.3 (0.6)	5.2 (1600)
BLD2	2.2 – 4.4 (1 – 2)	1.3 (0.6)	5.2 (1600)
BLD3	4.4 – 6.6 (2 – 3)	1.3 (0.7)	5.2 (1600)

- Rotary hook
- Self-lubricating bushings
- Adjustable capacity and stroke limiting device
- Auxiliary safety suspension

Medium-duty Balancers



BMDS-2



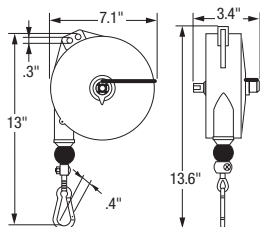
BMDS Series

Part Number	Capacity lb (kg)	Weight of Balancer lb (net-kg)	Lift ft (mm)
Medium-duty Balancers — 2.2 – 30 lb Capacity			
Short Cable			
BMDS-2	2.2 – 5.5 (1 – 2.5)	4.4 (2)	6.5 (2000)
BMDS-4	4.4 – 8.8 (2 – 4)	4.4 (2)	6.5 (2000)
BMDS-6	8.8 – 13.2 (4 – 6)	5.1 (2.3)	6.5 (2000)
BMDS-8	13.2 – 17.6 (6 – 8)	5.5 (2.5)	6.5 (2000)
Long Cable			
BMDL-4	4.4 – 8.8 (2 – 4)	6.4 (2.9)	8.2 (2500)
BMDL-6	8.8 – 13.2 (4 – 6)	7.1 (3.2)	8.2 (2500)
BMDL-8	13.2 – 17.6 (6 – 8)	7.7 (3.5)	8.2 (2500)
BMDL-10	17.6 – 22 (8 – 10)	8.2 (3.7)	8.2 (2500)
BMDL-12	22 – 26.5 (10 – 12)	8.8 (4)	8.2 (2500)
BMDL-14	22 – 30 (10 – 14)	5.6 (2.5)	8.2 (2500)
BMDL-14-Y (Yellow)	22 – 30 (10 – 14)	5.6 (2.5)	8.2 (2500)
Medium-duty Locking Balancers — 4.4 – 22 lb Capacity			
Long Cable			
BMDLL-4	4.4 – 8.8 (2 – 4)	6.6 (3)	8.2 (2500)
BMDLL-6	8.8 – 13.2 (4 – 6)	7.3 (3.3)	8.2 (2500)
BMDLL-8	13.2 – 17.6 (6 – 8)	7.9 (3.6)	8.2 (2500)
BMDLL-10	17.6 – 22 (8 – 10)	8.4 (3.8)	8.2 (2500)

Medium-duty Locking Balancers



BMDLL-10



BMDL / BMDLL Series

- Safety device prevents dropping of load due to spring breakage (except BMDS-2)
- Anti-friction cable guide
- Adjustable stroke limiting device



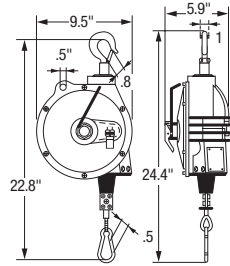
User

BALANCERS

Intermediate-duty Balancers



BIDS-10



BIDS Series

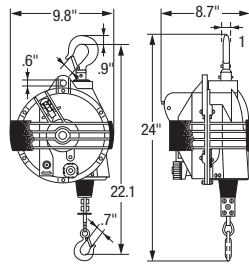
Part Number	Capacity lb (kg)	Weight of Balancer lb (net-kg)	Lift ft (mm)
Intermediate-duty Balancers — 8.8 – 55 lb Capacity			
BIDS-7	8.8 – 15.4 (4 – 7)	5 (2.26)	6.5 (2000)
BIDS-10	15.4 – 22 (7 – 10)	5.5 (2.49)	6.5 (2000)
BIDS-14	22 – 30.8 (10 – 14)	5.5 (2.49)	6.5 (2000)
BIDS-18	30.8 – 39.6 (14 – 18)	6.5 (2.95)	6.5 (2000)
BIDS-22	39.6 – 48.4 (18 – 22)	6.5 (2.95)	6.5 (2000)
BIDS-26	48.4 – 55 (22 – 25)	6.5 (2.95)	6.5 (2000)

- Safety device prevents load dropping due to spring breakage
- Anti-friction cable guide
- Adjustable stroke limiting device
- Upper rotary suspension
- Safety hook
- Auxiliary safety suspension

Heavy-duty Balancers



BHD-35



BHD Series

Part Number	Capacity lb (kg)	Weight of Balancer lb (net-kg)	Lift ft (mm)
Heavy-duty Balancers — 22 – 143 lb Capacity			
BHD-15	22 – 33 (10 – 15)	22.7 (10.3)	6.5 (2000)
BHD-20	33 – 44 (15 – 20)	23.4 (10.6)	6.5 (2000)
BHD-25	44 – 55 (20 – 25)	24.7 (11.2)	6.5 (2000)
BHD-30	55 – 66 (25 – 30)	25.4 (11.5)	6.5 (2000)
BHD-35	66 – 77 (30 – 35)	26 (11.8)	6.5 (2000)
BHD-45	77 – 99 (35 – 45)	27.3 (12.4)	6.5 (2000)
BHD-55	99 – 121 (45 – 55)	27.6 (12.5)	6.5 (2000)
BHD-65	121 – 143 (55 – 65)	30 (13.6)	6.5 (2000)

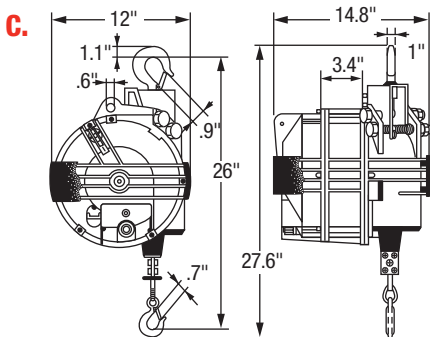
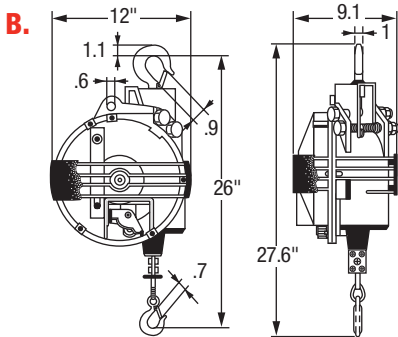
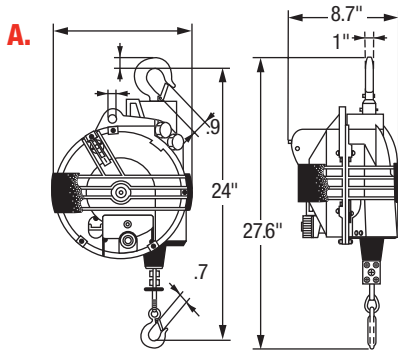
- Safety device prevents load dropping due to spring breakage
- Upper suspension with rotary safety hook
- Precision guided cable winding prevents jamming
- Anti-friction cable guide
- Manual locking device for instant clamping or release
- Worm screw capacity adjustment
- Spring drum assembly
- Floor controlled locking device available (BIL-7343)

BALANCERS

Super-duty Balancers



BSD-20



Part Number	Capacity lb (kg)	Weight of Balancer lb (net-kg)	Lift ft (mm)	Diagram
Super-duty Balancers — 33 – 363 lb Capacity				
BSD-20	33 – 44 (15 – 20)	41.9 (19)	8.2 (2500)	A
BSD-30	44 – 66 (20 – 30)	43.7 (19.8)	8.2 (2500)	A
BSD-40	66 – 88 (30 – 40)	45.9 (20.8)	8.2 (2500)	A
BSD-50	88 – 110 (40 – 50)	52.7 (23.9)	8.2 (2500)	A
BSD-60	110 – 132 (50 – 60)	56 (25.4)	8.2 (2500)	A
BSD-70	132 – 154 (60 – 70)	59.1 (26.8)	8.2 (2500)	B
BSD-80	154 – 176 (70 – 80)	61.3 (27.8)	8.2 (2500)	B
BSD-90	176 – 198 (80 – 90)	63.5 (28.8)	8.2 (2500)	B
BSD-100	198 – 220 (90 – 100)	78.5 (35.6)	8.2 (2500)	C
BSD-120	220 – 265 (100 – 120)	85.3 (38.7)	8.2 (2500)	C
BSD-140	265 – 309 (120 – 140)	92.2 (41.8)	8.2 (2500)	C
BSD-150	287 – 330 (130 – 150)	98.1 (44.5)	8.2 (2500)	C
BSD-165	330 – 363 (150 – 165)	106.3 (48.2)	8.2 (2500)	C
Super-duty Balancers — 33 – 330 lb Capacity Long Cable				
BSDL-20	33 – 44 (15 – 20)	42.1 (19.1)	9.85 (3000)	A
BSDL-25	44 – 55 (20 – 25)	43.9 (19.9)	9.85 (3000)	A
BSDL-35	55 – 77 (25 – 35)	46.1 (20.9)	9.85 (3000)	A
BSDL-45	77 – 99 (35 – 45)	52.5 (23.8)	9.85 (3000)	B
BSDL-50	88 – 110 (40 – 50)	52.7 (23.9)	9.85 (3000)	B
BSDL-60	110 – 132 (50 – 60)	55.8 (25.3)	9.85 (3000)	B
BSDL-70	132 – 154 (60 – 70)	58.9 (26.7)	9.85 (3000)	B
BSDL-80	154 – 176 (70 – 80)	61.7 (28)	9.85 (3000)	B
BSDL-90	176 – 198 (80 – 90)	64 (29)	9.85 (3000)	B
BSDL-100	198 – 220 (90 – 100)	81.1 (36.8)	9.85 (3000)	C
BSDL-115	220 – 254 (100 – 115)	85.3 (38.7)	9.85 (3000)	C
BSDL-130	254 – 286 (115 – 130)	88 (39.9)	9.85 (3000)	C
BSDL-140	286 – 309 (130 – 140)	94.4 (42.8)	9.85 (3000)	C
BSDL-150	309 – 330 (140 – 150)	100.6 (45.6)	9.85 (3000)	C

*Higher capacities available upon request.

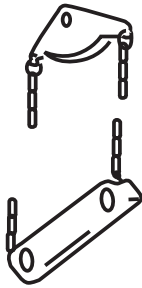
- Safety device prevents load dropping
- Upper suspension with rotary safety hook
- Precision guided cable winding prevents jamming
- Anti-friction cable guide
- Manual locking device for instant clamping or release
- Worm screw capacity adjustment
- Alignable rotating upper hook
- Cable replacement without balancer disassembly
- Cable visible for inspection
- Floor controlled locking device available (BIL-3224)



User

BALANCER ACCESSORIES

Floor-controlled Locking Device



BIL-7343

Part Number	Description	For Use With
Balancer Accessories		
BIL-7343	Floor-controlled locking device	Heavy-duty (BHD)
BIL-3224	Floor-controlled locking device	Super-duty (BSD & BSDL)

POINT-OF-USE ACCESSORIES



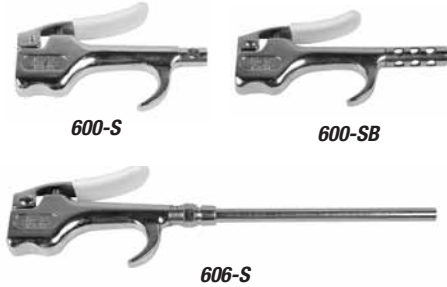
INGERSOLL RAND POINT-OF-USE ACCESSORIES

Specialized work demands specialized parts and accessories. With our complete line of durable, top-quality blow guns, air jets and nozzles, shim sets, etc., Ingersoll Rand makes it easier for you to work more efficiently and productively.

BLOW GUNS

- Engineered to the highest level of quality and durability.
- Available in standard 6" and 12" lengths.
- Cushioned thumb grips maximize operator comfort.

600 Series



Part Number	Description
600 Series	
600-S	Standard safety blow gun
600-SB	Booster safety blow gun
606-S	Safety blow gun with 6" extension
612-S	Safety blow gun with 12" extension

600 Series Accessories



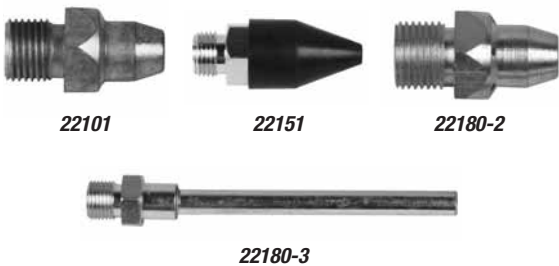
Part Number	Description
600 Series Safety Extensions	
ST206	6" safety extension
ST212	12" safety extension
Blow Gun Tips	
ST10	Standard safety tip
ST11	Safety air booster tip

8338 Series



Part Number	Description
8338 Series	
8338	Standard tip gun; generates concentrated stream of air
8338-1	Safety blow gun generates cone of air
8338-2	Safety blow gun with rubber tip

8338 Series Accessories



Part Number	Description
8338 Series Accessories	
22101	Brass tip
22151	Rubber tip
22180-1	Standard tip
22180-2	Air shield tip
22180-3	3" extension tip
33970	10" extension tip

BLOW GUNS

8440 Series



8440

Part Number	Description
8440 Series	
8440	Safety yellow, lightweight, polyester blow gun

8451 Series



8451-1

Part Number	Description
8451 Series	
8451-1	Standard tip gun; generates concentrated stream of air
8451-2	Shield tip gun; generates cone of air for chip deflection

8451 Accessories



8451-3 & -6

Part Number	Description
8451 Accessories	
8451-3	3" (76 mm) extension tip
8451-6	6" (152 mm) extension tip

7444 Series



7444-K

Part Number	Description	Max Inlet Pressure
7444 Series		
7444-J	Safety blow gun	100 psi
7444-K	Safety blow gun	180 psi



User

AIR JETS AND AIR NOZZLES

APPLICATIONS

- Parts cleaning
- Chip removal
- Part drying
- Liquid blow-off
- Part cooling
- Material conveying
- Part ejection
- Fiber conveying
- Air assist

ADVANTAGES

- Reduce compressed air cost
- 10 dBA average noise reduction
- Improve blow-off performance
- Compact
- Meet OSHA noise level requirements
- Meet OSHA pressure requirements

Air Jets



Part Number	Description	Air Consumption		Vacuum	
		cfm	L/min	oz	g
Air Jets					
38038089	High-velocity air jet, 1/2" outlet	16.5	467	14	396
38038097	Adjustable air jet, 1/2" outlet	18	509	16	453
38038105	Air jet shim set	N/A	N/A	N/A	N/A

Air Nozzles



Part Number	Description	Air Consumption		Vacuum	
		cfm	L/min	oz	g
Air Nozzles					
38038113	Safety air nozzle, 1/8" NPTF	10	283	9	257
38038121	Safety air nozzle, 1/4" NPTF	17	481	16	453
38038139	Adjustable air nozzle, 1/8" NPTM	13	368	12	340
38038147	Air nozzle, 1/4" NPTF	14.7	416	13	368

SOFT-GRIP SAFETY AIR GUNS

Soft-grip Safety Air Guns



38435434



38038154

Part Number	Description	Inlet NPT	Extension
Soft-grip Safety Air Gun			
38435434	Soft-grip safety air gun with air nozzle	1/4"	N/A
38038154	Soft-grip safety air gun with air nozzle	1/4"	24" aluminum
38038162	Soft-grip safety air gun with air nozzle	1/4"	36" aluminum
38038170	Soft-grip safety air gun with air nozzle	1/4"	48" aluminum
38038188	Soft-grip safety air gun with air nozzle	1/4"	60" aluminum

- Ideal for hours of continuous use without fatigue.
- Ergonomic design keeps the hand in a comfortable position and incorporates a large trigger that permits operation with one or more fingers.
- Durable case aluminum body is suited for rugged industrial use and includes a convenient hanger hook for storage.
- Inlets are 1/4" NPT.

ADJUSTABLE SPOT COOLER

Adjustable Spot Cooler



38037735

Part Number	Description
Adjustable Spot Cooler	
38037735	Adjustable spot cooler (one cold outlet)

APPLICATIONS

- Adjusting thermostats
- Cooling solder
- Cooling machined plastics
- Setting hot melts
- Cooling welding horns
- Cooling molded plastics
- Electronic component cooling
- Cooling gas samples
- Cooling environmental chambers

ADVANTAGES

- No moving parts
- No electricity or chemicals
- Small, lightweight
- Low cost
- Maintenance-free
- Instant cold air
- Quiet — less than 75 dBA
- Swivel magnetic base
- Interchangeable generators



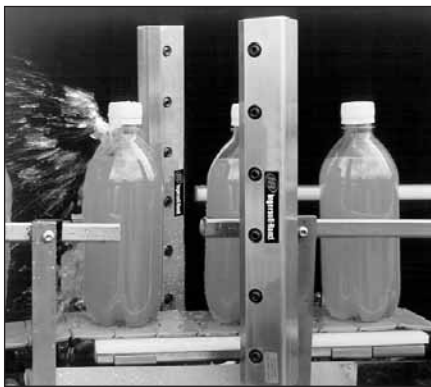
User

AIR KNIVES AND SHIM SETS

Air Knives and Shim Sets



38037628



Part Number	Description	Length
Air Knives and Shim Sets		
38037602	Aluminum air knife	6"
38037610	Aluminum air knife	12"
38037628	Aluminum air knife	18"
38037636	Aluminum air knife	24"
38037644	Aluminum air knife shim set	6"
38037651	Aluminum air knife shim set	12"
38037669	Aluminum air knife shim set	18"
38037677	Aluminum air knife shim set	24"

APPLICATIONS

- Parts drying after wash
- Sheet cleaning in strip mills
- Conveyor cleaning
- Part or component cooling
- Web drying or cleaning
- Environmental separation
- Pre-paint blow-off
- Bag opening and fill operations
- Scrap removal on converting operations

ADVANTAGES

- Quiet — 69 dBA for most applications
- Minimal air consumption
- 40:1 air application
- Uniform airflow across entire length
- Variable force and flow
- No moving parts

EXAMPLE OF PERFORMANCE — 12" (30 CM) AIR KNIFE

Pressure Supply		Air Consumption Per Inch		Velocity @ 6"		Sound Level @ 3'	Force Per Inch @ 6"	
psig	bar	cfm	L/min	fpm	m/s	dBA	oz	g
20	1.4	1.1	31	5,000	25.4	57	0.6	17
40	2.8	1.7	48	7,000	35.6	61	1.1	31
60	4.7	2.3	65	9,600	48.8	65	1.8	51
80	5.5	2.9	82	11,800	57.9	69	2.5	71
100	6.9	3.5	99	13,500	66	72	3.2	91

AIR AMPLIFIERS AND SHIM SETS

Air Amplifiers and Shim Sets



38038048



Part Number	Size	Description	Air Consumption			Vacuum	
			cfm	L/min	ratio	cfm	L/min
Air Amplifiers and Shim Sets							
38037743	3/4" (19 mm)	Air amplifier	6.1	173	12	73	2,066
38038030	1-1/4" (32 mm)	Air amplifier	8.1	229	18	146	4,132
38038048	2" (51 mm)	Air amplifier	15.5	439	22	341	9,650
38038055	3/4" (19 mm)	Air amplifier and shim set	6.1	173	12	73	2,066
38038063	1-1/4" (32 mm)	Air amplifier and shim set	8.1	229	18	146	4,132
38038071	2" (51 mm)	Air amplifier and shim set	15.5	439	22	341	9,650

APPLICATIONS

- Vent welding smoke
- Cool hot parts
- Dry wet parts
- Clean machined parts
- Distribute heat in molds and ovens
- Ventilate confined areas
- Wipe hose, wire, fiber optics
- Exhaust tank fumes

ADVANTAGES

- Compact, lightweight, portable
- No electricity
- No moving parts — no maintenance
- Ends are easily ducted
- Instant on/off
- Variable force and flow

LINE VACUUMS

Line Vacuums



Part Number	Size	Description	Air Consumption		Vacuum		
			cfm	L/min	inH2O	kPa	
Line Vacuums							
38037685	3/4" (19 mm)	Aluminum line vacuum	10.7	303	-72	-18	
38037693	1" (25 mm)	Aluminum line vacuum	14.7	416	-42	-11	
38037701	1-1/4" (32 mm)	Aluminum line vacuum	25.9	733	-42	-11	
38037719	1-1/2" (38 mm)	Aluminum line vacuum	33	934	-36.8	-9	
38037727	2" (51 mm)	Aluminum line vacuum	45	1274	-28.5	-7	

APPLICATIONS

- Hopper loading
- Fiber tensioning
- Material conveying
- Waste and trim removal
- Chip removal
- Part transfer
- Filling operations

ADVANTAGES

- Compact
- Quiet
- No moving parts
- Fits standard hose or tube
- Aluminum or stainless steel
- Fives sizes
- High throughput capability



User

POINT-OF-USE (PUP) FILTER AND ACCESSORIES

- 3-in-1 solution (filter, automatic drain, and manifold for multiple distribution) for the bottom of a compressed air drop.
- 1" female inlet port on top of unit.
- Two 1/2" and two 3/8" outlet ports.

PUP Filter



42526707

PUP Filter Accessories



38027223

Part Number	Description
PUP Filter	
42526707	1" Female inlet NPT PUP

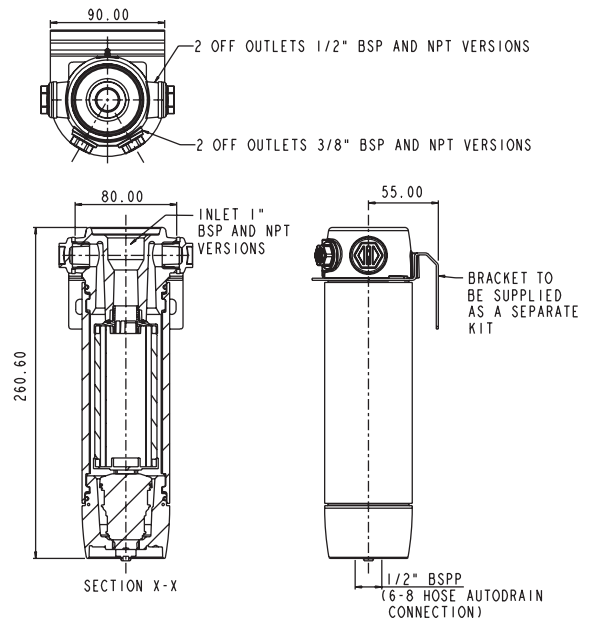
Part Number	Description
PUP Filter Accessories	
38027223	Filter element
38027249	Wall mounting bracket
88344171	Automatic drain assembly (Filter 2000 drain)
38032165	O-ring kit

TECHNICAL SPECIFICATIONS

Particle removal down to 1 micron including coalesced liquid water and oil, providing a maximum remaining oil aerosol content of 0.6 mg/m³ (0.5 ppm) at 21° C (70° F).

OPERATING LIMITATIONS

Max Flow of Unit	1.70 m ³ /min (60 cfm)
Max Operating Pressure	16 bar (232 psig)
Max Recommended Operating Temp	150° F (66° C)
Min Recommended Operating Temp	34° F (1° C)
Recommended Filter Element Change	12 months or 6,000 hours



PROVIDER MANIFOLD

Provider Manifold



38004339

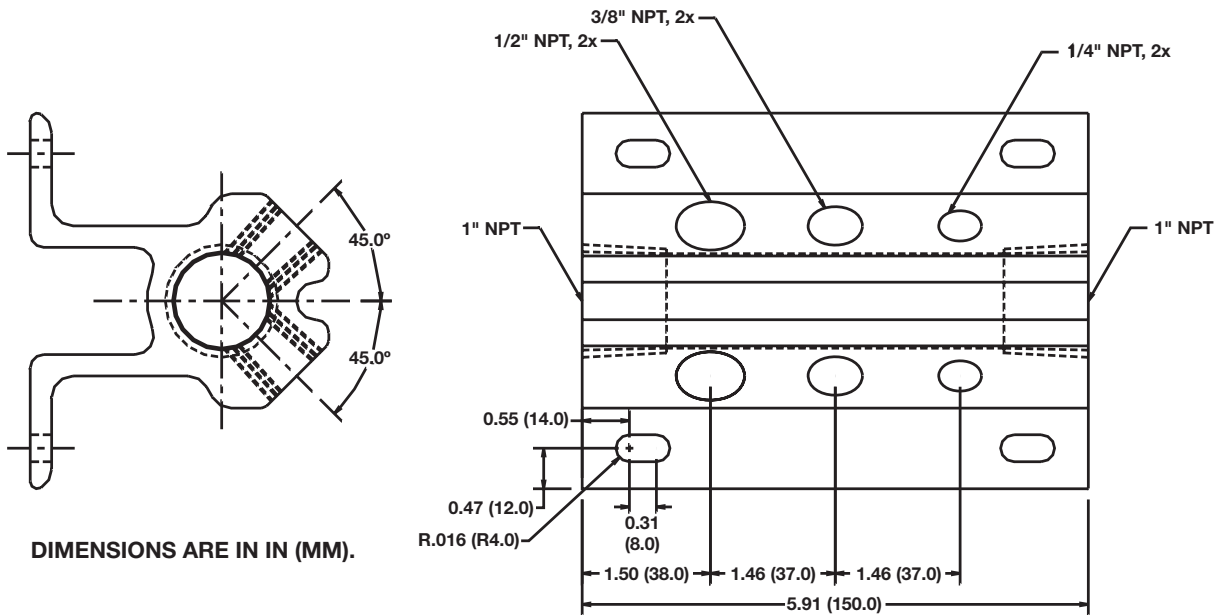
Part Number	Description
Provider Manifold	
38004339	Point-of-use provider manifold

FEATURES THE FOLLOWING OUTLETS:

- (2) 1" NPT (top & bottom)
- (2) 3/8" NPT
- (2) 1/2" NPT
- (2) 1/4" NPT

ADVANTAGES

- Simple, cost-effective solution to untidy array of tees and elbows
- Lightweight, durable anodized aluminum construction
- O-rings make pipe sealant unnecessary
- Can be used with SpeedLine SL, steel, copper, and other piping systems



DIMENSIONS ARE IN IN (MM).



User

EXHAUST KITS AND ACCESSORIES



INGERSOLL RAND EXHAUST KITS AND ACCESSORIES

Your comfort and safety are top priorities at Ingersoll Rand. Our flexible, customizable exhaust kits and accessories keep air moving efficiently and conveniently away from you and the work surface, letting you focus more on getting the job done right.

EXHAUST KITS AND ACCESSORIES

Piped Away Exhaust Kits



2940-K184



99V60-K184



7L-K284

Part Number	For Use With
Piped Away Exhaust Kits	
2940-K184	2940A1 / 2040A2
5L-K184	5 Series air screwdrivers
7L-K284	6 and 7 Series assembly tools
88V60-K184	ErgoPro Series vertical grinders
99V60-K184	ErgoPro Series vertical grinders

Rear Exhaust Kits



LG1-K284

Part Number	For Use With
Rear Exhaust Kits	
LG1-K284	C, G1, and Q2 Series fastening tools
LG2-K284	T, H, and G2 Series
AG3-K284	G3 Series

31" Exhaust Hoses



3RL-284



46490

Part Number	For Use With
31" Exhaust Hoses	
3RL-284	Q2 Series fastening tools
46490	41 Series air screwdrivers

VACUUM KITS AND ACCESSORIES



INGERSOLL RAND VACUUM KITS AND ACCESSORIES

The Ingersoll Rand Jet-Vac dust extraction system is the perfect complement to our popular sanders and grinders. Not only does the system move more air than it takes to actually run the tool, it enables you to keep your work space cleaner so that you can work more efficiently.

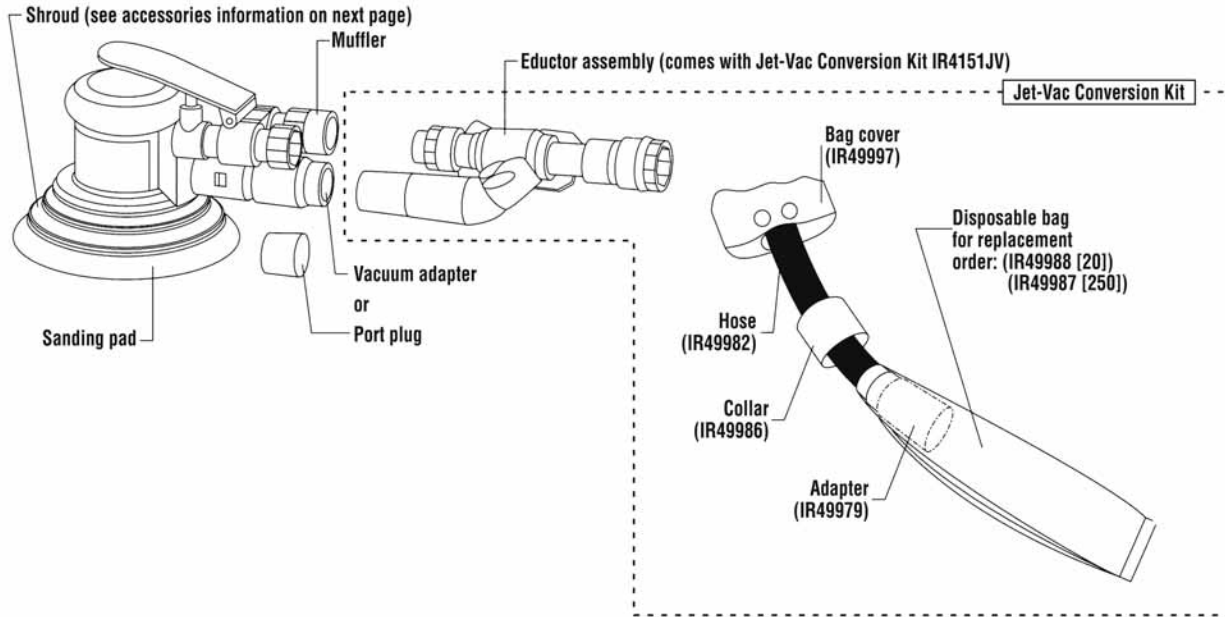
VACUUM KITS AND ACCESSORIES

Jet-Vac Conversion Kits



4151JV

Part Number	Description	For Use With
Jet-Vac Conversion Kits		
4151JV	Jet-Vac conversion kit	4151, 4152 Series, Cyclone Standard, Cyclone Select, and CycloVAC sanders
RSVK-5	5" Jet-Vac conversion kit	4151, 4152 Series, Cyclone Standard, Cyclone Select, and CycloVAC sanders
49978	6" Jet-Vac conversion kit	4151, 4152 Series, Cyclone Standard, Cyclone Select, and CycloVAC sanders



Jet-Vac Accessories



49973

49997

49979

49982

Part Number	Description	For Use With
Jet-Vac Accessories		
49600	6' (1.8 m) hose equipped with molded 1" ID cuffs at each end	4151, 4152 Series, Cyclone Standard, Cyclone Select, and CycloVAC sanders
49973	Disposable vacuum bag (single)	4151, 4152 Series, Cyclone Standard, Cyclone Select, and CycloVAC sanders
49997	Bag cover	4151, 4152 Series, Cyclone Standard, Cyclone Select, and CycloVAC sanders
48275-1	Dust collection bag	4151, 4152 Series, Cyclone Standard, Cyclone Select, and CycloVAC sanders
49979	Vacuum adapter	4151, 4152 Series, Cyclone Standard, Cyclone Select, and CycloVAC sanders
49982	Vacuum hose	4151, 4152 Series, Cyclone Standard, Cyclone Select, and CycloVAC sanders
49986	Vacuum hose collar	4151, 4152 Series, Cyclone Standard, Cyclone Select, and CycloVAC sanders
49987	Disposable vacuum bags (250 pack)	4151, 4152 Series, Cyclone Standard, Cyclone Select, and CycloVAC sanders
49988	Disposable vacuum bags (20 pack)	4151, 4152 Series, Cyclone Standard, Cyclone Select, and CycloVAC sanders

MUFFLERS



INGERSOLL RAND MUFFLERS

For generations, Ingersoll Rand tools have been making a lot of noise in the industry, so to speak, because they simply work harder than the competition. Our pavement breaker and digger mufflers ensure you'll have a better, more comfortable environment to work in.

CONSTRUCTION MUFFLERS

Ingersoll Rand mufflers help protect tool users by reducing noise pollution.

Pavement Breaker Mufflers

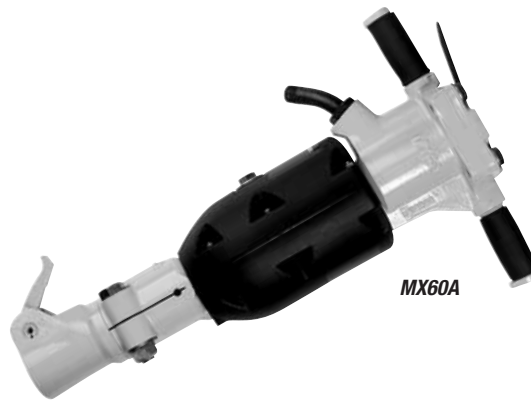


04704862



51953453

Part Number	For Use With
Pavement Breaker Mufflers	
04704862	MX60A & MX60B
51953453	MX90A & MX90B



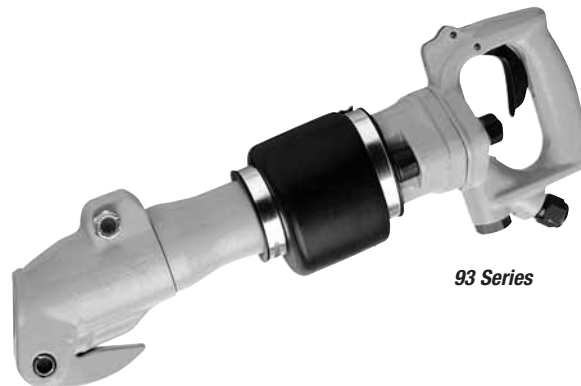
MX60A

Digger Mufflers



95H-K674

Part Number	For Use With
Digger Mufflers	
93H-K674	93 Series
95H-K674	95 Series



93 Series

PRECISION FASTENING ACCESSORIES



INGERSOLL RAND PRECISION FASTENING ACCESSORIES

At Ingersoll Rand, we'll not only provide you with the most durable, reliable, and powerful tools in the industry, our turn-key solutions provide everything you need for the entire workstation. In addition to designing and building workstations, we offer a wide assortment of fastening system calibration tools, such as our Expert™ Torque Analysis Systems, that help ensure you're performing at your peak.

AIR SCREWDRIVER ACCESSORIES

Clutch Housing Adjustment Covers



Part Number	Color
Clutch Housing Adjustment Covers (for Q2 angle nutrunners)	
TRL-415-1	Gold
TRL-415-2	Red
TRL-415-3	Blue
TRL-415-4	Green

Pistol Buttplates



Part Number	Color
Pistol Buttplates (for Q2 pistol fasteners)	
TRP-40-B-R	Orange
TRP-40-B-G	Green
TRP-40-B-B	Blue

Flanged Adjustment Covers (for identification)



Part Number	Color
Flanged Adjustment Covers (for Q2 in-line fasteners)	
TRH-40-23-R	Orange
TRH-40-23-G	Green
TRH-40-23-Y	Light grey

Non-flanged Adjustment Covers (for identification)



Part Number	Color
Non-flanged Adjustment Covers (for Q2 in-line fasteners)	
TRH-40-24-R	Orange
TRH-40-24-G	Green
TRH-40-24-B	Blue
TRH-40-24-Y	Light grey

TORQUE ARMS

Parallel Torque Arms

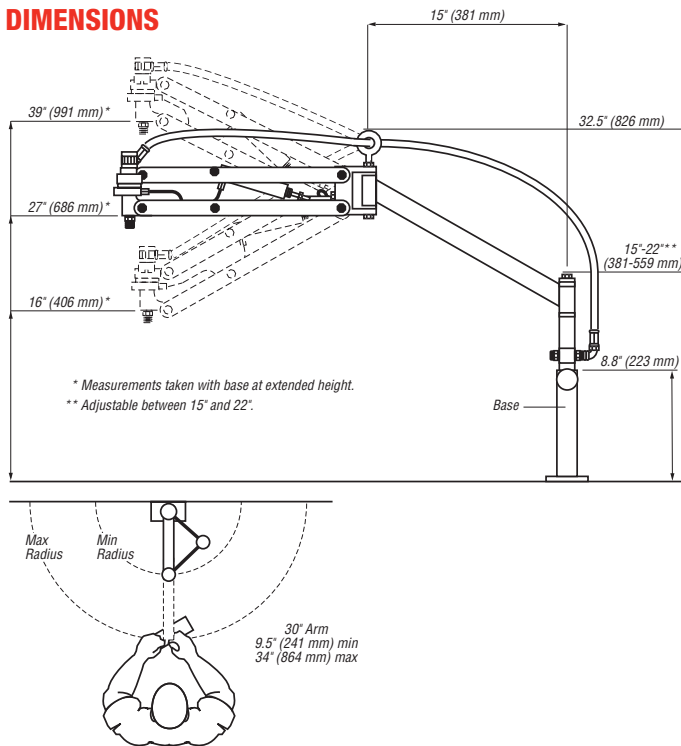


IRBP3-E30

Part Number	Size	Tool	Max Weight	Torque Absorber
Parallel Torque Arms				
IRBP3-N30	30"	Air	10 lb	Yes
IRBP3-E30*	30"	Electric	10 lb	Yes

*Includes clamps to fit high torque Delvo (49380) and VersaTec (49380-1) tools.

DIMENSIONS



FEATURES AND BENEFITS

Air Bias Support System

- Air adjustment by mini-regulator with air cylinder, for proper positioning of different size tools
- Eliminates clumsy spring adjustment of competitive models
- Tool positioning is effortless

Steel and Aluminum Construction

- Anodized finish
- Lightweight
- Heavy-duty for high volume production
- Corrosion-resistant

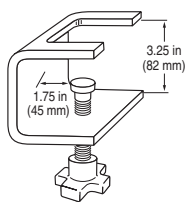
Parallel Arm Torque Absorber

- Absorbs torque reaction up to 120 in-lb
- Increases torque repeatability through shift changes by reducing operator influence on fastener
- Keeps tools off the floor

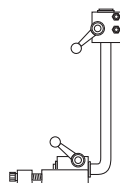
Auto-orientation System

- Tool fixture is designed to allow constant perpendicular orientation of the tool, which ensures proper fastener alignment

Parallel Torque Arm Accessories



48732-1



IR49541

Part Number	Description
Parallel Torque Arm Accessories	
48732-1	Bench clamp for mounting arm in place
IR49541	Swivel mount kit grip & angle tools (adapts pistol to the workstation)



User

TORQUE ARMS

Single Arm Workstations

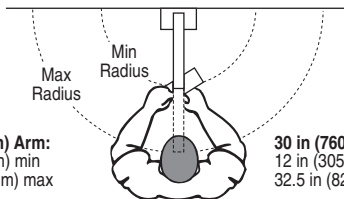
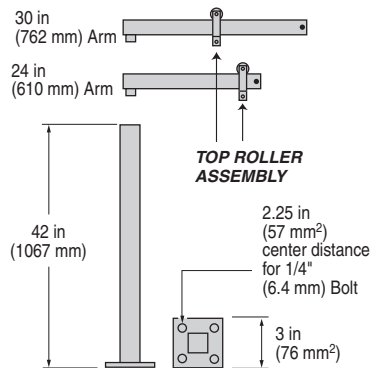


IRBS3-N30
(hose, FRL, and balancer not included)



IRBS3-E0

DIMENSIONS



24 in (610 mm) Arm:
8.5 in (208 mm) min
25.5 in (625 mm) max

30 in (760 mm) Arm:
12 in (305 mm) min
32.5 in (825 mm) max

Part Number	Size	Tool	Max Weight	Torque Absorber
Single Arm Workstations				
IRBS2-N0	24"	Air	15 lb	No
IRBS2-N24	24"	Air	15 lb	Yes
IRBS3-N0	30"	Air	15 lb	No
IRBS3-N30	30"	Air	15 lb	Yes
IRBS2-E0	24"	Electric	15 lb	No
IRBS2-E24	24"	Electric	15 lb	Yes
IRBS3-E0	30"	Electric	15 lb	No
IRBS3-E30	30"	Electric	15 lb	Yes

FEATURES AND BENEFITS

Steel Construction with E-Coat

- Lightweight but durable for continuous duty
- Corrosion-resistant

Balancer Hanger

- All arms are equipped with a roller-mounted balancer hanger for smooth motion of the tool

Flexible

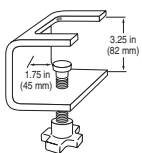
- Your choice of 30" or 24" lengths for electric or air tools

Electric Cord Clamp Kit

- Standard with appropriate models

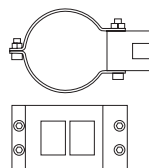
Single Arm Workstation Accessories

BENCH CLAMP



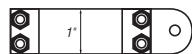
48732-1

ELECTRIC TOOL CLAMP

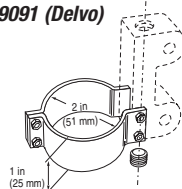


49091-1
(VersaTec)

ELECTRIC TOOL CLAMP



49091 (Delvo)



Part Number	Description
Single Arm Workstation Accessories	
IR48723-2	Single arm torque absorber, this telescoping arm improves flexibility & eliminates torque reaction from the tool
48732-1	Bench clamp for mounting arm in place
49091	Electric tool clamp (Delvo)
49091-1	Electric tool clamp (VersaTec)

AIR NUTRUNNER ACCESSORIES

Mounting Plate



Part Number	For Use With
Mounting Plate	
DAM-K48	D Series

Exhaust Deflector



DAA40-A23

Part Number	For Use With
Exhaust Deflector	
DAA40-A23	D Series
Backcap Kit	
DAM-K25	D Series

Swivel Hanger



Part Number	For Use With
Swivel Hanger	
DAA40-K364	D Series

Flush Hex Sockets



8SA34-807M

Part Number	Description	For Use With
Flush Hex Sockets		
182A88-807	Flush hex sockets	9 Series, 83 angle head
8SA34-807M	Flush hex sockets	6 & 7 Series, 3D6 angle head; 8 & 9 Series, 32 angle head
8SA56-807M	Flush hex sockets	8 & 9 Series, 32 angle head
182A13MF-807	Flush hex sockets	8 & 9 Series, 32 angle head
182A15MF-807	Flush hex sockets	8 & 9 Series, 32 angle head



User

SPINDLES AND ANGLE HEAD ACCESSORIES

1/4" Square Drive Spindles



141A9-A607-1/4

Part Number	Description	For Use With
1/4" Square Drive Spindles		
TRL2-A607-S4	1/4" square drive spindle	Q2 Series
48404-1 (assembly)	1/4" square drive spindle	41 Series
141A9-A607-1/4	1/4" square drive spindle	5 Series, 7 Series

3/8" Square Drive Spindles



6L2D-A607

Part Number	Description	For Use With
3/8" Square Drive Spindles		
TRL2-A607-S6	3/8" square drive spindle	Q2 Series
48405-1 (assembly)	3/8" square drive spindle	41 Series
141A12-A607	3/8" square drive spindle	5 Series, 7 Series
6L2D-A607	3/8" square drive spindle	6 Series

1/4" Screwdriver Hex Bit Holder Spindles



5L2C3-B586

Part Number	Description	For Use With
1/4" Screwdriver Hex Bit Holder Spindles		
TRL2-A607-Q4	1/4" screwdriver hex bit holder spindle	Q2 Series
48402-1 (assembly)	1/4" screwdriver hex bit holder spindle	41 Series
5L2C3-B586	1/4" screwdriver hex bit holder spindle	5 Series

1/4" Screwdriver Hex Insert Bit Holder Spindles



5L2C4-B386

Part Number	Description	For Use With
1/4" Screwdriver Hex Insert Bit Holder Spindles		
48403-1 (assembly)	1/4" screwdriver hex insert bit holder spindle	41 Series
5L2C4-B386	1/4" screwdriver hex insert bit holder spindle	5 Series

Angle Head Extensions



8SL-A327-6

Part Number	Description	For Use With
4" Angle Head Extension Assembly		
6WT-A327-4	4" angle head extension assembly	6 Series
6" Angle Head Extension		
8SL-A327-6	6" angle head extension	8 Series, 9 Series

ELECTRIC SCREWDRIVER ACCESSORIES

Extension Cable — For Low Torque Models



Part Number	Description
Extension Cable — For Low Torque Models*	
ES40T-249-2	Extension cable — for low torque models

**For use on push and trigger start models ES60, ES70, ES80, and ES90 (standard on ES100).*

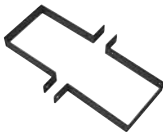
Attachable Pistol Grip Handle



Part Number	Description
Attachable Pistol Grip Handle*	
DLW2100TP	Attachable pistol grip handle

**For use on push and trigger start models ES60, ES70, ES80, and ES90 (standard on ES100).*

Controller Mounting Bracket



Part Number	Description
Controller Mounting Bracket	
EC24-MB	Controller mounting bracket

Torque Adjusting Wrench



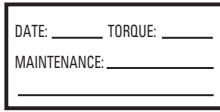
Part Number	Description
Torque Adjusting Wrench	
EP4007N-516	Torque adjusting wrench



User

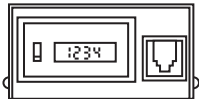
ELECTRIC SCREWDRIVER ACCESSORIES

Calibration / Maintenance Labels



Part Number	Description
Calibration / Maintenance Labels	
EP4007N-302	Calibration / maintenance labels (52 labels per package)

Digital Counter



Part Number	Description
Digital Counter	
EC24-DC	Digital counter

Low Profile Flange



Part Number	Description
Low Profile Flange*	
EP4007N-123	Low profile flange

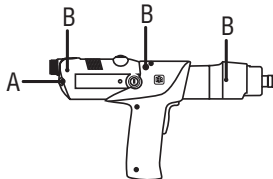
*Standard for pistol and angle models.

Torque Adjustment Cover



Part Number	Description
Torque Adjustment Cover	
ES60T-675	Torque adjustment cover

Suspension Bails



Part Number	Description
Suspension Bails	
EP4007N-365	A – Vertical suspension bail
EP4007N-366	B – Horizontal suspension bail
EL0109B-365	Low torque vertical suspension bail

Additional Cords



EP4007N-239-C6A

Part Number	Description
Additional Cords	
EP4007N-239-C6A	6' coiled additional cord (high torque)
EP4007N-239-8A	8' straight additional cord (high torque)
EP4007N-239-12A	12' straight additional cord (high torque)
EP4007N-239-25	25' straight additional cord (high torque)

SUSPENSION AND REACTION ACCESSORIES

Horizontal Hangers



48934



TRP-A365

Part Number	Description	For Use With
Horizontal Hangers		
48934	Horizontal hanger	41 Series
6WS-366	Horizontal hanger	5 Series, 6 Series, 7 Series,
8SL-366	Horizontal hanger	8 Series
9SL-366	Horizontal hanger	9 Series
TRP-A365	Horizontal hanger	Q2 Series
7RA-A366	Horizontal hanger	5 Series, 7 Series

Reaction Bar Holders



8SL-A60

Part Number	Description	For Use With
Reaction Bar Holders		
8SL-A60	Reaction bar holder	8 Series
9SL-A60	Reaction bar holder	9 Series

Reaction Bars



R1A-A48

Part Number	Description	For Use With
Reaction Bars		
R1A-A48	Reaction bar (1/2" hex except for 6 Series)	6 Series
9SL-48	Reaction bar (1/2" hex except for 6 Series)	8 Series, 9 Series

Suspension Bails



46328



7L-365

Part Number	Description	For Use With
Suspension Bails		
7L-365	Suspension bail	Q2 Series, 5 Series, 6 Series, 7 Series, 8 Series
46328	Suspension bail	41 Series
5RL-365	Suspension bail	5 Series

Dead Handles



728N-A48

Part Number	Description	For Use With
Dead Handles		
48931	Dead handle	41 Series
728N-A48	Dead handle*	5 Series
R1A-A48	Dead handle*	7 Series
Dead Handle Adapters		
5A-49	Dead handle adapter	5 Series
7A-49	Dead handle adapter	7 Series

*For retrofitting add dead handle adapter.



User

DC ELECTRIC FASTENING TOOL ACCESSORIES

Cables



GEA40-CORD-3M

Part Number	Description	Length	For Use With
Cables			
GEA40-EXT-10M	Extension cable	10 m	QE & QM Series
GEA40-EXT-20M	Extension cable	20 m	QE & QM Series
GEA40-EXT-40M	Extension cable	40 m	QE & QM Series
IC-4PIN-6M	4-pin, 6 m accessory cable	6 m	IC-PALM-RESET & IC-ESTOP
IC-4PIN-10M	4-pin, 10 m accessory cable	10 m	IC-PALM-RESET & IC-ESTOP
IC-10PIN-6M	10-pin, 6 m accessory cable	6 m	IC-SELECT-4, IC-SELECT-8, & IC-SOCKET-4
IC-10PIN-10M	10-pin, 10 m accessory cable	10 m	IC-SELECT-4, IC-SELECT-8, & IC-SOCKET-4
IC-19PIN-5M	19-pin, 5 m accessory cable	5 m	IC-SOCKET-8
IC-19PIN-10M	19-pin, 10 m accessory cable	10 m	IC-SOCKET-8

DEA Extension Cables



DEA40-CORD-10

Part Number	Description	For Use With
DEA Extension Cables		
DEA40-CORD-10	Tool extension cable	DEA Series
DEA40-CORD-20	Tool extension cable	DEA Series

Lever Kits



GEA40-K98EL

Part Number	Description	For Use With
Lever Kits		
GEA40-K98SL	Short lever kit	QE Series
GEA40-K98EL	Extended lever kit	QE Series

Swivel Hanger Kit



Part Number	For Use With
Swivel Hanger Kit	
GEA40-K364	QE6 & QE8 Series

Suspension Bail



Part Number	For Use With
Suspension Bails	
7L-365	QE Series
GP15-7L-365	QE4 Pistol

DC ELECTRIC FASTENING TOOL ACCESSORIES

Reaction Bar Kits



Part Number	For Use With
Reaction Bar Kits (for retrofitting add DAA4-27)	
GEA15-K48	QE4 Series
DEA120-K48	QE6 & QE8 Series

Flanged Mounting Kits



Part Number	For Use With
Flanged Mounting Kits (for retrofitting add DAA4-27)	
15E4-K48	QE4 Series
GEM120-K48	QE6 & QE8 Series

Mounting Plate Kits



Part Number	For Use With
Mounting Plate Kits (for retrofitting add DAA4-27)	
GEA4-K48	QE4 Series
DAM120-K48	QE6 & QE8 Series

Socket Trays



IC-SOCKET-4

Part Number	Description
Socket Trays	
IC-SOCKET-4	4-position socket tray
IC-SOCKET-8	8-position socket tray

Selector Switches



Part Number	Description
Selector Switches	
IC-SELECT-4	4-position remote selector switch
IC-SELECT-8	8-position remote selector switch

Palm Button Reset Station



Part Number	Description
Palm Button Reset Station	
IC-PALM-RESET	Palm button reset station



User

DC ELECTRIC FASTENING TOOL ACCESSORIES

Emergency Stop Button



Part Number	Description
Emergency Stop Button	
IC-ESTOP	Emergency stop button

Light Tower



Part Number	Description
Light Tower*	
IC-LIGHT-TOWER	Light tower

*Other options available upon request (number of lights, colors, and buzzer).

Communication Hubs



IC-SW-5

Part Number	Description
Communication Hubs	
IC-SW-5	Industrial-duty 5-port switch
IC-SW-16	Industrial-duty 16-port switch

Parameter Transfer Key



Part Number	Description
Parameter Transfer Key	
8015013	Parameter transfer key (for IC1D and IC1M controllers)

ETT SERIES EXPERT™ TORQUE TESTER

ETT Series Expert™ Torque Tester



Part Number	Torque Range in-lb (Nm)	Accuracy FSD	Weight lb (kg)	Dimensions in (mm)
ETT Series Expert™ Torque Tester				
ETT-1-US	0.88 – 8.8 (0.1 – 1)	0.5%	5.0 (2.7)	9-1/4" x 8-1/4" x 2-3/4" (213 x 238 x 70)
ETT-4-US	3.50 – 35.0 (0.4 – 4)	0.5%	5.0 (2.7)	9-1/4" x 8-1/4" x 2-3/4" (213 x 238 x 70)
ETT-12-US	10.60 – 106 (1.2 – 12)	0.5%	5.0 (2.7)	9-1/4" x 8-1/4" x 2-3/4" (213 x 238 x 70)
ETT-30-US	26.50 – 265 (3.0 – 30)	0.5%	5.0 (2.7)	9-1/4" x 8-1/4" x 2-3/4" (213 x 238 x 70)

FEATURES AND BENEFITS

- Recommended for most hand screwdrivers, wrenches, or power tools
- Ideal for testing output torque of assembly tools in the calibration lab, repair crib, or on the production line
- Six different languages (English, French, German, Italian, Spanish, and Swedish) standard on all units
- Nine units of measurement for compatibility with global standards
- Charger is equipped with different adapters to make it easy to use in most of the world
- Four operation modes: Peak, Click, Impulse, and Track modes
- High, pass, low LED's
- Auto and manual reset function
- Data transfer function to a PC or printer via the RS232 port
- Diagnostics keep track of past and future calibration dates and current software release
- 8 hours of battery time under normal use
- Auto power down timer keeps unit charged longer
- Quick-clamp mounts integrated into housing
- Quick-disconnect plate available for convenient mounting structure
- Certificate of calibration from National Institute of Standards and Technology included with every unit

ETT UNIT INCLUDES:

Item

- Torque analyzer
- Battery charger
- Rundown adapter
- Carrying case
- Operating manual
- Certificate of calibration



Part Number	Description
ETT Series Expert™ Torque Tester Accessories	
ETA2-P925	Printer connector cable
ETT-QD	Quick-disconnect plate
ETA2-PC99	PC connector (RS232)





COMPONENTS



As hardworking and durable as Ingersoll Rand tools are, it's easy to sometimes take them for granted. But even the toughest equipment needs preventive maintenance. Prolong the life and reliable performance of your tools with our line of repair kits, replacement parts, and specially engineered lubricants.





COMPONENTS



COMPONENTS

Lubricants	257
Repair Kits and Parts	261

LUBRICANTS



INGERSOLL RAND LUBRICANTS

It goes without saying that proper lubrication of any tool is essential if you want the tool to last. By lubricating your air tools, you'll prolong the life of tool motors, mechanisms, gearing, and other vital parts. Ingersoll Rand offers a complete line of specialized oils and greases that are engineered specifically for use with our air tools.

LUBRICATION KITS

Lubrication Kits



Part Number	Description	Quantity
Lubrication Kits		
LUB-POP	Point-of-purchase display includes (3) 10G, (5) 10P, (24) 10Z4, (6) 100-1LB, (8) 105-LBK1, (8) 115-LBK1, (1) case 10Z4, & (1) case hang tags	1
10Z4-MB24	Case of 10Z4 countertop display	24
10P-MB5	Case of 10P countertop display	5
10G-MB3	Case of 10G countertop display	3
100-MB6	Case of 100-1LB countertop display	6
105-LBK1-MB8	Case of 105-LBK1 countertop display	8
115-LBK1-MB8	Case of 115-LBK1 countertop display	8

Air Care Kits



Part Number	Description
Air Care Kits	
67-LBK1	Angle grinder care kit includes 10Z4 oil, 4 oz 67 grease, & grease gun
105-LBK1	Metallic housings impact wrench care kit includes 10Z4 oil, 4 oz 105 grease, & grease gun
115-LBK1	Composite housings impact wrench care kit includes 10Z4 oil, 4 oz 115 grease, & grease gun

AIR TOOL OILS

Air Tool Oils



Part Number	Description	Size
Air Tool Oils		
63Z4	#63 oil for cyclone wick lubrication	4 oz
10Z4	Class 1 #10 oils for use with percussive, assembly, & impact wrenches	4 oz
10G	Class 1 #10 oils for use with percussive, assembly, & impact wrenches	1 gal
10P	Class 1 #10 oils for use with percussive, assembly, & impact wrenches	1 pt
10G55	Class 1 #10 oils for use with percussive, assembly, & impact wrenches	55 gal
10GW	Class 1 #10 oil / antifreeze for use with percussive, assembly, & impact wrenches	1 gal
50P	Class II lubricant, #50 oil for use with grinders, impact wrenches, hoists, & winches	1 pt
50G	Class II lubricant, #50 oil for use with grinders, impact wrenches, hoists, & winches	1 gal
62 1 Gal	Class II #62 oil for hoist & winch gear boxes	1 gal

GREASES

Greases



100 1 LB



105-4T-6

Part Number	Description	Grease #	Size
Greases			
23-1 LB	For the gearing of drills	23	1 lb
28 1 LB	For screwdriver gearing and clutches; drills, grinders, saws; tie tampers grease	28	1 lb
66 1 LB	For slow speed, high torque angle heads	66	1 lb
66 8 LB	For slow speed, high torque angle heads	66	8 lb
67-4T	For high speed, high temp angle heads (green)	67	4 oz
67-1 LB	For high speed, high temp angle heads (green)	67	1 lb
67 8 LB	For high speed, high temp angle heads (green)	67	8 lb
70 1 LB	For large piston motors and gear cases	70	1 lb
70 8 LB	For large piston motors and gear cases	70	8 lb
77-1 LB	For grinder angle heads	77	1 lb
80 1 LB	For bearings on sump pumps	80	1 lb
80 8 LB	For bearings on sump pumps	80	8 lb
90-14 oz	For gear heads & tube nut wrenches	90	14 oz
100 1 LB	Standard-duty impact wrench grease	100	1 lb
100 8 LB	Standard-duty impact wrench grease	100	8 lb
105-4T-6	Metallic housing impact wrench grease	105	4 oz
105-1 LB	Metallic housing impact wrench grease	105	1 lb
105-8 LB	Metallic housing impact wrench grease	105	8 lb
115-4T-6	Composite housing impact wrench grease	115	4 oz
115-1LB	Composite housing impact wrench grease	115	1 lb
150-1 LB	For impact mechanisms with swinging weight	150	1 lb
150-8 LB	For impact mechanisms with swinging weight	150	8 lb
170-1LB	Premium impact grease for high temps, used with impact mechanisms	170	11 lb



Components

GREASE GUNS AND ACCESSORIES

Grease Guns



P25-228

Part Number	Description
Grease Guns	
P25-228	Push-type hand grease gun for hydraulic-type fittings, holds up to 3 oz of grease
R000A2-228	Push-type hand grease gun for flush-type fittings, holds up to 3 oz of grease

Grease Tube Head



GTH-1

Part Number	Description
Grease Tube Head	
GTH-1	Grease gun used with Ingersoll Rand 4 oz tube of grease

Grease Gun Coupler and Adapter



636024

Part Number	Description
Grease Gun Coupler and Adapter	
636020	Grease gun coupler
636024	Grease gun adapter

REPAIR KITS AND PARTS



INGERSOLL RAND REPAIR KITS AND PARTS

Even the most durable and reliable tools need preventive maintenance. You'll keep things running strong and maximize your productivity with Ingersoll Rand repair kits and replacement parts. We've created these kits to help make tool repair and maintenance faster and more convenient for you.

RATCHET REPAIR KITS

Air Ratchet Spring Repair Kit



Part Number	For Use With
Air Ratchet Spring Repair Kits	
103-SK	103
1033-SK	1033
1103-SK	1103 & 1133
107XP-SK	107XP
1077XP-SK	1077XP
1200-SK	1200 & 1210
110A-THK1	111 & 1111
1107-SK	1107 & 1177

Air Ratchet Motor Tune-up Kit



Part Number	For Use With
Air Ratchet Motor Tune-up Kit	
1200-TK1	1200 & 1210
110-TK1	111 & 1111
1107-TK1	1107 & 1177

Air Ratchet Head Repair Kit



Part Number	For Use With
Air Ratchet Head Repair Kit	
104-TK1	103 & 104
1103-TRK1	1103
1133-TRK1	1133
107XP-TRK1	107XP
1077XP-TRK1	1077XP
1200-TRK1	1200
1210-TRK1	1210
109XP-TRK1	109XP
1099XP-TRK1	1099XP
111-TRK1	111
1111-TRK1	1111
1107-TRK1	1107
1177-TRK1	1177

Repair kits and parts are available through authorized IND/ASM and VS distributors.

IMPACT WRENCH TUNE-UP KITS

Part Number	For Use With
3/8" Impact Wrench Tune-up Kits	
215-THK1	215
2115-TK1	2115 Series & 2125QTi
211-TK2	211
212-TK2	212
215-TK1	215
216-TK1	216
1702B-TK2	1702 B Series
1702P-TK2	1702 P Series
1702SB-TK2	1702 SB Series
1705P-TK2	1705 Series
1710B / 1710P-TK3	1710 Series
2112-TK2	2112
1/2" Impact Wrench Tune-up Kits	
223-TK2	223
235-TK2	235
2130-TK1	2130 & 2130-2
2131-TK2	2131A
2135-TK1	2135 Series
225-TK1	225
231HP-TK1	231HA & 231HA-2
231-TK2	231C, 231HA, 231HA-2
231-TK3	231C, 231HA, 231HA-2
231XP-TK1	231C, 231HA, 231HA-2
244-TK2	244A & 244A-2
2705-TK3	2705 Series
2706-TK3	2706 Series
2707-TK2	2707 Series
2903P-TK2	2903P1
2906P-TK1	2906 Series
5040-TK2	5040 Series

Part Number	For Use With
3/4" Impact Wrench Tune-up Kits	
251-TK1	251
255A-TK1	255A
261-TK2	261
2141-TK1	2141
2161-TK2	2161XP
252-TK2	252
2905P-TK2	2905 Series
2908P-TK2	2908 Series
2910-TK4	2910 Series
2921-TK2	2921 Series
2920B-TK2	2920 Series
2920P-TK2	2920 Series
1" Impact Wrench Tune-up Kits	
280-TK2	280
281-TK1	281
281-TK2	281
295-TK2	295
1712B / 1712P-TK3	1712 Series
2190-TK1	2190Ti, 2190DTi-6, 2190Ti-6
285A-6-TK2	285A
285-TK1	285
290-TK2	290
2934-TK3	2934 Series
2940-TK3	2940A1, 2940A2, B1, B2, & P2
3940-TK1	3940
3942-TK1	3942

Impact Wrench Tune-up Kit



Repair kits and parts are available through authorized IND/ASM and VS distributors.



Components

IMPACT WRENCH HAMMER AND ANVIL KITS

Impact Wrench Hammer Kit



Impact Wrench Hammer and Anvil Kit

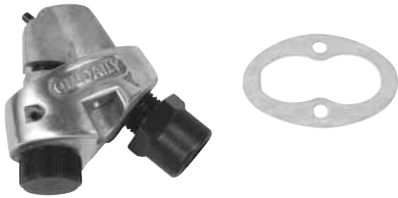


Part Number	For Use With
3/8" Impact Wrench Hammer and Anvil Kits	
2112-THK1	235
2115-THK1	2115Ti & 2115QTI
215-THK2	215
216-THK2	216
1/2" Impact Wrench Hammer and Anvil Kits	
2121-THK1	2121
2125QTI-THK1	2125Ti
2130-IMK1	2130
2130-IMK2	2130-2
2131-THK1	2131A
2131-THK1-2	2131AS-2
2135-THK1	2135Ti & 2135QTI
2135-2-THK1	2135Ti-2 & 2135QTI-2
223-THK1	223
225-THK2	225
231B-HK	231C, 231HA, & 231HA-2
231B-THK1	231C, 231HA, & 231HA-2
231B-THK2	231C, 231HA, & 231HA-2
235-THK1	235
3/4" Impact Wrench Hammer and Anvil Kits	
261-THK2	261
2141-THK1	2141
1" Impact Wrench Hammer and Anvil Kits	
2190-THK1	2190
285A-6-THK1	285A

Repair kits and parts are available through authorized IND/ASM and VS distributors.

IMPACT WRENCH HAMMER THROTTLE VALVE BODY KIT

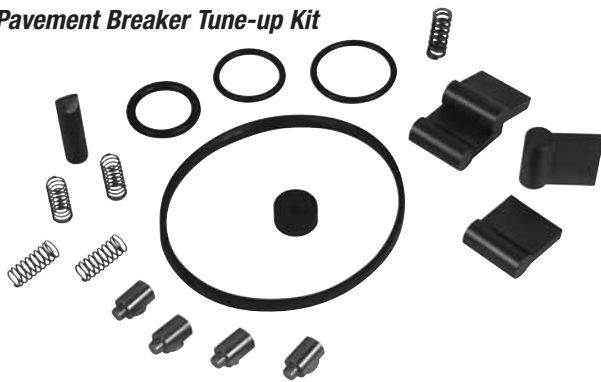
Impact Wrench Throttle Valve Body Kit



Part Number	For Use With
Impact Wrench Throttle Valve Body Kit	
223-TVB1	223

CONSTRUCTION TOOL TUNE-UP KITS

Pavement Breaker Tune-up Kit



Part Number	For Use With
Pavement Breaker Tune-up Kits	
51299097	JH40
51310498	PB35A & PB50A
Circular Saw Tune-up Kits	
S120-TK1	S120
SRA010-TK1	SRA010A1

GRINDER TUNE-UP KITS

Grinder Tune-up Kit



Part Number	For Use With
Grinder Tune-up Kits	
61H-TK1	61H Series
66H-TK3	66H Series
77H/77A-TK3	77H / 77A Series
7S60-TK2	7S60L (Pro Series grinder)
88V/88H-TK3	88V / 88H Series
99V/99H-TK3	99V / 99H Series
AG1-TK1	G1 Series
AG2-TK1	G2 Series
AG3-TK1	G3 Series

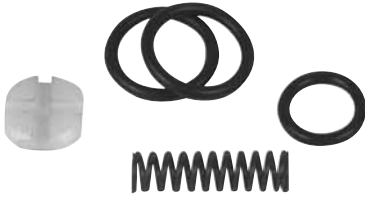
Repair kits and parts are available through authorized IND/ASM and VS distributors.



Components

ENGRAVING PEN TUNE-UP KIT

Engraving Pen Tune-up Kit



Part Number	For Use With
Engraving Pen Tune-up Kit	
EP50-TK1	EP50 Engraving Pen

EXTENDED WARRANTY KITS

Extended Warranty Impact Wrench Kit



Part Number	Description	For Use With
3900Ti Extended Warranty Kits*		
3900-XW1-M	Kit includes hose whip with swivel, in-line lubricator, coupler, oil, grease, & medium titanium gloves; extends standard 1-year warranty to 2-year coverage	3900Ti Series
3900-XW1-L	Kit includes hose whip with swivel, in-line lubricator, coupler, oil, grease, & large titanium gloves; extends standard 1-year warranty to 2-year coverage	3900Ti Series
3900-XW1-XL	Kit includes hose whip with swivel, in-line lubricator, coupler, oil, grease, & extra large titanium gloves; extends standard 1-year warranty to 2-year coverage	3900Ti Series

***Purchase a warranty kit with a 3900Ti Series impact wrench and receive a two-year warranty on the impact mechanism.**

Extended Warranty Grinder Kit



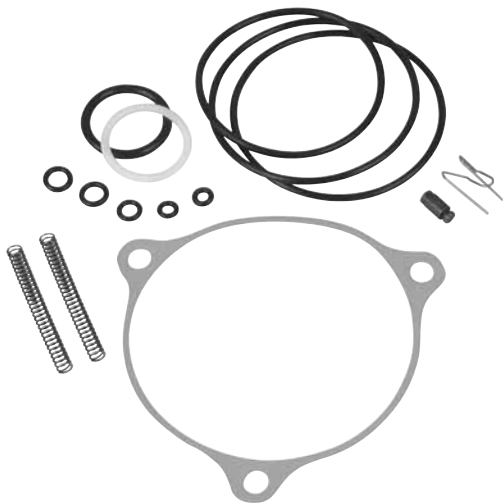
Part Number	Description	For Use With
G-Series Grinders Extended Warranty Kits*		
AG1-XW1	Kit includes FRL, oil, grease, & tune-up kit; extends standard 1-year warranty to 2-year coverage	G1 Series
AG2-XW1	Kit includes FRL, oil, grease, & tune-up kit; extends standard 1-year warranty to 2-year coverage	G2 Series
AG3-XW1	Kit includes FRL, oil, grease, & tune-up kit; extends standard 1-year warranty to 2-year coverage	G3 Series

***Purchase a warranty kit with a G-Series Grinder and receive a full two-year extended warranty.**

Repair kits and parts are available through authorized IND/ASM and VS distributors.

ASSEMBLY TOOL REPAIR KITS

Mechanism Tune-up Kit



Part Number	For Use With
Mechanism Tune-up Kits	
1410P-K600	1410P Nutrunners & screwdrivers
180PQ-K600A	180PQ1 Nutrunners & screwdrivers
1900P-K600A	1900P Nutrunners & screwdrivers
380PQ-K600A	380PQ1 Nutrunners & screwdrivers
500P-K600	500P Nutrunners & screwdrivers
900P-K600A	900P Nutrunners & screwdrivers
Tune-up Kits	
5A / 5L-TK1	5A / 5L Series drills
5L-NS-TK1	5A / 5L Series drills
5RA / 5RL-TK1	5RA / 5RL Series drills
5RL-NS-TK1	5RA / 5RL Series drills
6-DRILLS-TK1	6A / 6L Series drills
6WT-TK1	6 Series angle wrenches
728-TK3	728 Series drills
7A-DRILLS-TK1	7A Series drills
7RA-S/D-TK1	7RA Series drills
7RL-S/D-A/T-TK1	7 Series assembly tools
AVC10-TK2	AVC10 Series riveters
AVC26-TK1	AVC26 Series riveters
48804-1	41 Series assembly tools

Motor Tune-up Kit



Part Number	For Use With
Motor Tune-up Kits	
180PQ-K500	180PQ1 Nutrunners & screwdrivers
1900P-K500	1900P Nutrunners & screwdrivers
280PQ-K500	280PQ1 Nutrunners & screwdrivers
3000P-K500	3000P Nutrunners & screwdrivers
380PQ-K500	380PQ1 Nutrunners & screwdrivers
500P-K500	500P Nutrunners & screwdrivers
700P-K500	700P Nutrunners & screwdrivers
900P-K500	900P Nutrunners & screwdrivers

Repair kits and parts are available through authorized IND/ASM and VS distributors.



Components



SERVICE



THE BEST EQUIPMENT DESERVES THE BEST SERVICE

You know how important your equipment is to your livelihood. At Ingersoll Rand, we know it too. That's why for the past 100 years we've been setting the standard for not just powerful and durable products, but also for providing total solutions that help you get the job done right.

As tough as our equipment is, we also know that it needs to be maintained. If and when the time comes, let Ingersoll Rand meet your service and repair needs through our expansive Certified Service Network.

Each Certified Service provider has the specialized testing equipment, genuine parts, and skilled training to ensure you're back up and running at Original Equipment Manufacturer (OEM) specifications. Work with us and you'll enjoy these other benefits too.

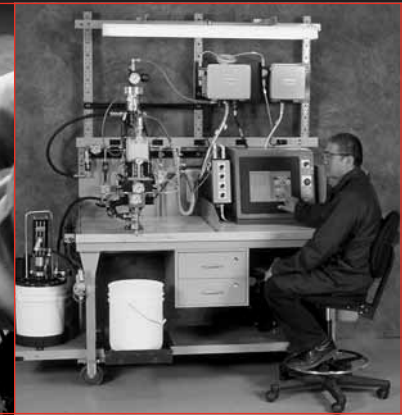
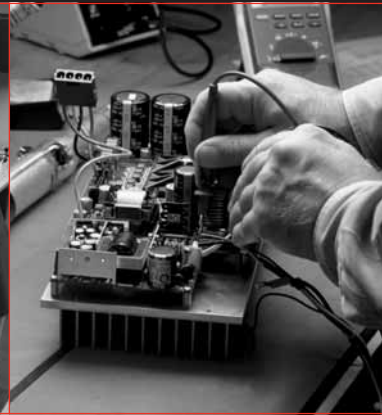
- Reduced downtime through quick turnarounds and pre-authorized maximum repair costs
- Increased return on investment by preventing wear and tear and extending the life of your equipment
- Peace of mind knowing you're getting quality repairs using genuine Ingersoll Rand parts
- Convenient access to the expertise and resources of a full service center, no matter where you're located

Reliability of a minimum 90-day repair warranty or optional 180-day extended warranty. Keep your equipment working as hard as you do by using Ingersoll Rand Certified Service. Repairs done right; service made simple.





SERVICE



INGERSOLL-RAND SERVICES

- Field Service and Repair
- Calibrations
- Product Applications
- Bench Service and Repair
- Preventive Maintenance Programs
- Refurbishing and Rebuilding Programs
- Product Training
- Care Programs
- Leasing or Rental Programs
- Asset Management
- Program Management
- Installation
- Consulting
- www.irtools.com/servicelocator

For more information on the Ingersoll Rand Service Network call or visit us online.

irtools.com • (800) 376-TOOL



INDEX

Part Number	Description	Page
0		
04704862	Pavement Breaker Muffler	238
1		
100 1 LB	Grease	259
100 8 LB	Grease	259
100031-1	Compact Series Filter Accessory	85
100031-2	Compact Series Filter Accessory	85
100031-3	Compact Series Filter Accessory	85
100032	Coalescing Filter Element	85, 87
100066	Gauge 0 – 60 psig	89, 91, 107
100067	Gauge 0 – 160 psig	89, 91, 107, 109, 111
100083	Gauge 0 – 300 psig	89, 91, 107
100085	Compact Series Safety Valve	102
100095-160	Gauge 0 – 150 psig	71, 73, 79
100207-1	Compact Series Precision Service Kit	93
100207-2	Compact Series Precision Service Kit	93
100-MB6	Lubrication Kit	258
100PQ-2	Protective Tool Boot	212
1033-SK	Ratchet Spring Repair Kit	262
103-SK	Ratchet Spring Repair Kit	262
104020	Heavy-duty Series Filter Accessory	106
104023	Heavy-duty Series Lubricator Accessory	108
104027	Tamper-resistant Plug	75, 97
104039	Stud Mount	71, 73, 79, 80
104068	Automatic Drain	85, 87, 91
104069	Polycarbonate Bowl	106, 108
104077-2	Nickel-plated Brass Ball Valve	155
104077-3	Nickel-plated Brass Ball Valve	155
104077-4	Nickel-plated Brass Ball Valve	155
104094	Panel Mount Nut	71, 73, 79
104107	Mounting Bracket	85, 87, 89, 91, 97
104109	Tamper-resistant Knob Kit	71, 73, 79, 80
104149	Push Drain	85, 87, 91
104158	Mini Series Composite Regulator	79
104159	Mini Series Composite Regulator	79
104167	Compact Series Modular Spacer Kit	101
104168-2	Compact Series Threaded Adapter	101
104168-3	Compact Series Threaded Adapter	101
104168-4	Compact Series Threaded Adapter	101
104168-6	Compact Series Threaded Adapter	101
104169	Compact Series Right Angle Bracket Kit	101
104170	Compact Series Modular Manifold Kit	102
104171	Compact Series Wall Mount Bracket	101
104172	Wall Mount Kit	89, 91, 102
104173	Panel Mount Nut	89, 91
104174-2	Compact Series Safety Valve	102
104174-3	Compact Series Safety Valve	102
104174-4	Compact Series Safety Valve	102
104175	Tamper-resistant Kit	89, 91
104176	Filter Service Kit	85, 87
104177	Compact Series Regulator Accessory	89
104178	Compact Series Regulator Accessory	89
104179	Compact Series Piggyback Accessory	91
104180	Compact Series Piggyback Accessory	91
104181	Service Kit	75, 80, 97
104182	Sight Glass Service Kit	85, 87, 91, 97
104196	Compact Series Pressure Switch Valve	103
104196-CDW	Compact Series Pressure Switch Valve	103
104196-CHW	Compact Series Pressure Switch Valve	103
104196-CSN	Compact Series Pressure Switch Valve	103
104202	Polycarbonate Bowl	85, 87, 91
104203	Compact Series Lubricator Accessory	97
104204	Metal Bowl	85, 87, 91
104205	Compact Series Lubricator Accessory	97
104206	Metal Bowl	85, 87, 91
104207	Compact Series Lubricator Accessory	97
104209	Knob Repair Kit	89, 91
104226	Sight Dome Repair Kit	75, 97
104248	Compact Series Filter Accessory	85
104253-1	Mini Series Modular Kit	80, 81
104253-1-B	Mini Series Modular Kit	80
104253-2	Mini Series Modular Kit	80, 81
104253-2-B	Mini Series Modular Kit	80
104254-1	Modular Manifold Kit	80, 81
104254-1-B	Mini Series Modular Kit	80
104254-2	Modular Manifold Kit	80, 81
104254-2-B	Mini Series Modular Kit	80, 81
104255	Relieving Service Kit	71, 73, 80

Part Number	Description	Page
104256	Non-relieving Service Kit	71, 73, 80
104257	Service Kit	69, 80
104258	Polycarbonate Bowl	69, 73, 80
104259	Composite Bowl	69, 73, 80
104260	Polycarbonate Bowl	75, 80
104261	Composite Bowl	75, 80
104262	T-type Wall Mount Bracket Kit	69, 71, 73, 75, 80, 81
104263	Clamp Kit	69, 71, 73, 75, 80, 81
104264	Automatic Drain Kit	69, 73, 80
104265	Nut and Bracket Kit	71, 73, 79, 80
104267	Compact Series Mounting Bracket	95
104268	Compact Series Filter Element	95
104269	Compact Series Filter Element	95
104282	Heavy-duty Series Bracket	111
104283	Heavy-duty Series Auto Drain	111
104284	Heavy-duty Series Filter Element	111
104285	Heavy-duty Series Filter Element	111
104286	Heavy-duty Series Filter Bowl	111
104287	Heavy-duty Series Lubricator Bowl	111
104-P32	Protective Tool Boot	212
104-TK1	Ratchet Head Repair Kit	262
105-1 LB	Grease	259
105-8 LB	Grease	259
105-4T-6	Grease	259
105-LBK1	Air Care Kit	258
105-LBK1-MB8	Lubrication Kit	258
10607	1" Drive SAE	166
106-P32	Protective Tool Boot	212
1077XP-SK	Ratchet Spring Repair Kit	262
1077XP-TRK1	Ratchet Head Repair Kit	262
107XP-SK	Ratchet Spring Repair Kit	262
107XP-TRK1	Ratchet Head Repair Kit	262
1099XP-TRK1	Ratchet Head Repair Kit	262
109-P32	Protective Tool Boot	212
109XP-TRK1	Ratchet Head Repair Kit	262
10G	Air Tool Oil	258
10G55	Air Tool Oil	258
10G-MB3	Lubrication Kit	258
10GW	Air Tool Oil	258
10P	Air Tool Oil	258
10P-MB5	Lubrication Kit	258
10Z4	Air Tool Oil	258
10Z4-MB24	Lubrication Kit	258
1100P-2	Protective Tool Boot	212
1103-SK	Ratchet Spring Repair Kit	262
1103-TRK1	Ratchet Head Repair Kit	262
1107-SK	Ratchet Spring Repair Kit	262
1107-TK1	Ratchet Motor Tune-up Kit	262
1107-TRK1	Ratchet Head Repair Kit	262
110A-THK1	Ratchet Spring Repair Kit	262
110-TK1	Ratchet Motor Tune-up Kit	262
1111-TRK1	Ratchet Head Repair Kit	262
111-TRK1	Ratchet Head Repair Kit	262
1133-TRK1	Ratchet Head Repair Kit	262
115-1LB	Grease	259
115-4T-6	Grease	259
115-LBK1	Air Care Kit	258
115-LBK1-MB8	Lubrication Kit	258
1177-TRK1	Ratchet Head Repair Kit	262
1200-SK	Ratchet Spring Repair Kit	262
1200-TK1	Ratchet Motor Tune-up Kit	262
1200-TRK1	Ratchet Head Repair Kit	262
1210-TRK1	Ratchet Head Repair Kit	262
12SR-83	Malleable Butt	179
1410P-2	Protective Tool Boot	212
1410P-K600	Mechanism Tune-up Kit	267
141A12-A607	Spindle	244
141A9-A607-1/4	Spindle	244
14SR-83R-23/8	Rubber Tipped Butt	179
14SR-83R-4	Rubber Topping-off Butt	179
14SR-93R	Rubber Tipped Peen	179
150-1 LB	Grease	259
150-8 LB	Grease	259
15E4-K48	Flanged Mount Kit	249
16542417	Refrigerated DryStar	10
170-1LB	Grease	259
1701B	Impact Wrench Tune-up Kit	263
1702B-TK2	Impact Wrench Tune-up Kit	263
1702P-TK2	Impact Wrench Tune-up Kit	263
1702SB-TK2	Impact Wrench Tune-up Kit	263
1705P-TK2	Impact Wrench Tune-up Kit	263
170-6	Safety Air Fuse Valve	30
170-8	Safety Air Fuse Valve	30

Part Number	Description	Page
1710B / 1710P-TK3	Impact Wrench Tune-up Kit	263
1712B / 1712P-TK3	Impact Wrench Tune-up Kit	263
180PQ-2	Protective Tool Boot	212
180PQ-K500	Motor Tune-up Kit	267
180PQ-K600A	Mechanism Tune-up Kit	267
180SQ-2	Protective Tool Boot	212
182A13MF-807	Flush Hex Socket	243
182A15MF-807	Flush Hex Socket	243
182A88-807	Flush Hex Socket	243
1900P-2	Protective Tool Boot	212
1900P-K500	Motor Tune-up Kit	267
1900P-K600A	Mechanism Tune-up Kit	267
1900PS4-2	Protective Tool Boot	212
2		
20100251	Electric Start-up Kit	11
20100277	Maintenance Kit	12
20100285	Maintenance Kit	12
20102877	Electric Start-up Kit	11
20103081	Maintenance Kit	12
20103099	Maintenance Kit	12
20103107	Maintenance Kit	12
202-P32	Protective Tool Boot	212
205885	Saw Blade Kit	192
2112-P32	Protective Tool Boot	212
2112-THK1	Impact Wrench Hammer/Anvil Kit	264
2112-TK2	Impact Wrench Tune-up Kit	263
2115-P32	Protective Tool Boot	212
2115-THK1	Impact Wrench Hammer/Anvil Kit	264
2115-TK1	Impact Wrench Tune-up Kit	263
211-P32	Protective Tool Boot	212
211-TK2	Impact Wrench Tune-up Kit	263
2121-THK1	Impact Wrench Hammer/Anvil Kit	264
21250TI-THK1	Impact Wrench Hammer/Anvil Kit	264
212-TK2	Impact Wrench Tune-up Kit	263
2130-IMK1	Impact Wrench Hammer/Anvil Kit	264
2130-IMK2	Impact Wrench Hammer/Anvil Kit	264
2130-P32	Protective Tool Boot	212
2130-TK1	Impact Wrench Tune-up Kit	263
2131-P32	Protective Tool Boot	212
2131-THK1	Impact Wrench Hammer/Anvil Kit	264
2131-THK1-2	Impact Wrench Hammer/Anvil Kit	264
2131-TK2	Impact Wrench Tune-up Kit	263
2135-2-THK1	Impact Wrench Hammer/Anvil Kit	264
2135-P32	Protective Tool Boot	212
2135-THK1	Impact Wrench Hammer/Anvil Kit	264
2135-TK1	Impact Wrench Tune-up Kit	263
2141-P32	Protective Tool Boot	212
2141-THK1	Impact Wrench Hammer/Anvil Kit	264
2141-TK1	Impact Wrench Tune-up Kit	263
215-P32	Protective Tool Boot	213
215-THK1	Impact Wrench Tune-up Kit	263
215-THK2	Impact Wrench Hammer/Anvil Kit	264
215-TK1	Impact Wrench Tune-up Kit	263
2161-P32	Protective Tool Boot	213
2161-TK2	Impact Wrench Tune-up Kit	263
216-THK2	Impact Wrench Hammer/Anvil Kit	264
216-TK1	Impact Wrench Tune-up Kit	263
2190-P32	Protective Tool Boot	213
2190-THK1	Impact Wrench Hammer/Anvil Kit	264
2190-TK1	Impact Wrench Tune-up Kit	263
22040463	Super Cut Chisel	170
22040471	Super Cut Chisel	170
22040489	Super Cut Chisel	170
22040505	Pipe Driver	171
22040513	Pipe Driver	171
22040547	Pipe Driver	171
22040554	Pipe Driver	171
22040588	Ground Rod Driver	171
22040596	Ground Rod Driver	171
22040604	Ground Rod Driver	171
22040612	Combo Cutter	171
22040620	Asphalt Cutter	171
22040638	Tent Stake Driver	171
22040646	Tent Stake Driver	171
22040679	Hose Whip	53
22040687	Hose Whip	53
22040778	3-pc Post Driver	171
22040927	Detachable Shank	171
22040935	Asphalt Cutter	171
22040943	3-pc Post Driver	171
22040968	Digging Chisel	170

INDEX

Part Number	Description	Page
22040976	Digging Chisel	170
22040984	Digging Chisel	170
22041008	3-pc Post Driver	171
22041016	3-pc Post Driver	171
22041057	Super-duty Moil Point	170
22041065	Super-duty Moil Point	170
22041073	Super-duty Moil Point	170
22041081	Super-duty Moil Point	170
22041099	Super-duty Moil Point	170
22041107	Super-duty Moil Point	170
22041115	Super-duty Chisel	170
22041123	Super-duty Chisel	170
22041131	Super-duty Chisel	170
22041149	Super-duty Chisel	170
22041156	Super-duty Chisel	170
22041164	Super-duty Chisel	170
22041453	Hose Whip	53
22041461	Hose Whip	53
22041479	Hose Whip	53
22041495	Super-duty Moil Point	170
22041503	Super-duty Chisel	170
22041602	Super-duty Moil Point	170
22041610	Super-duty Chisel	170
22101	8338 Series Blow Gun Accessory	224
22128508	Gripplie Hang-fast, Toggle-fast	49
22128516	Gripplie Hang-fast, Toggle-fast	49
22151	8339 Series Blow Gun Accessory	224
22180-1	8340 Series Blow Gun Accessory	224
22180129	Electric Start-up Kit	11
22180145	Electric Start-up Kit	11
22180-2	8341 Series Blow Gun Accessory	224
22180-3	8342 Series Blow Gun Accessory	224
22185052	Maintenance Kit	12
22185060	Maintenance Kit	12
22185078	Maintenance Kit	12
22185086	Maintenance Kit	12
22185094	Maintenance Kit	12
22185102	Maintenance Kit	12
22185110	Maintenance Kit	12
22185128	Maintenance Kit	12
22185136	Maintenance Kit	12
22185144	Maintenance Kit	12
22222053	Maintenance Kit	12
22256549	Standard Installation Kit	12
22285282	SimplAir EL Aluminum Piping	37
223-THK1	Impact Wrench Hammer/Anvil Kit	264
223-TK2	Impact Wrench Tune-up Kit	263
223-TV81	Impact Wrench Body Kit	265
225-P32	Protective Tool Boot	213
225-THK2	Impact Wrench Hammer/Anvil Kit	264
225-TK1	Impact Wrench Tune-up Kit	263
22800	Swivel Fitting Kit	56
22801	Swivel Fitting Kit	56
22SR-83-3x3/4	Malleable Butt	179
23-1 LB	Grease	259
231B-HK	Impact Wrench Hammer/Anvil Kit	264
231B-THK1	Impact Wrench Hammer/Anvil Kit	264
231B-THK2	Impact Wrench Hammer/Anvil Kit	264
231HP-TK1	Impact Wrench Tune-up Kit	263
231-P32	Protective Tool Boot	213
231-TK2	Impact Wrench Tune-up Kit	263
231-TK3	Impact Wrench Tune-up Kit	263
231XP-TK1	Impact Wrench Tune-up Kit	263
232TGLS-P32	Protective Tool Boot	213
235-P32	Protective Tool Boot	213
235-THK1	Impact Wrench Hammer/Anvil Kit	264
235-TK2	Impact Wrench Tune-up Kit	263
23644-400	ARO-STOP Valve	139
244-P32	Protective Tool Boot	213
244-TK2	Impact Wrench Tune-up Kit	263
24SR-207	Lock Clip	178
24SR-83R-3	Rubber Tipped Butt	179
24SR-83R-5	Rubber Tipped Butt	179
2502	Oil Drain Accessory	156
2505K	Battery	158
2507K	Battery Charger	158
2512K	2512K Cordless Impact	158
251-TK1	Impact Wrench Tune-up Kit	263
252-P32	Protective Tool Boot	213
252-TK2	Impact Wrench Tune-up Kit	263
25341-020	Heavy-duty Series Filter	109, 110
25351-020	Heavy-duty Series Filter	109, 110
25361-020	Heavy-duty Series Filter	109, 110
255A-TK1	Impact Wrench Tune-up Kit	263

Part Number	Description	Page
255-P32	Protective Tool Boot	213
2575K	2575K Cordless Drill/Driver	158
261-P32	Protective Tool Boot	213
261-THK2	Impact Wrench Hammer/Anvil Kit	264
261-TK2	Impact Wrench Tune-up Kit	263
26341-020	Heavy-duty Series Lubricator	109, 110
26351-020	Heavy-duty Series Lubricator	109, 110
26361-020	Heavy-duty Series Lubricator	109, 110
2705-TK3	Impact Wrench Tune-up Kit	263
2706-TK3	Impact Wrench Tune-up Kit	263
2707-TK2	Impact Wrench Tune-up Kit	263
27344-000	Heavy-duty Series Regulator	109
27354-000	Heavy-duty Series Regulator	109
27364-000	Heavy-duty Series Regulator	109
28 1 LB	Grease	259
280PQ-2	Protective Tool Boot	213
280PQ-K500	Motor Tune-up Kit	267
280SQ-2	Protective Tool Boot	213
280-TK2	Impact Wrench Tune-up Kit	263
281-TK1	Impact Wrench Tune-up Kit	263
281-TK2	Impact Wrench Tune-up Kit	263
28342	Heavy-duty Series Filter/Lubricator	110
28343	Heavy-duty Series F-R-L	109
28344	Heavy-duty Series Filter/Regulator	109
28352	Heavy-duty Series Filter/Lubricator	110
28353	Heavy-duty Series F-R-L	109
28354	Heavy-duty Series Filter/Regulator	109
28362	Heavy-duty Series Filter/Lubricator	110
28363	Heavy-duty Series F-R-L	109
28364	Heavy-duty Series Filter/Regulator	109
285A-6-THK1	Impact Wrench Hammer/Anvil Kit	264
285A-6-TK2	Impact Wrench Tune-up Kit	263
285-P32	Protective Tool Boot	213
285-TK1	Impact Wrench Tune-up Kit	263
29002	Heavy-duty Series Regulator Accessory	107
2903P-TK2	Impact Wrench Tune-up Kit	263
2905P-TK2	Impact Wrench Tune-up Kit	263
2906P-TK1	Impact Wrench Tune-up Kit	263
29077	Wall Mount Bracket	93, 107
2908P-TK2	Impact Wrench Tune-up Kit	263
290-TK2	Impact Wrench Tune-up Kit	263
2910-TK4	Impact Wrench Tune-up Kit	263
29119	Heavy-duty Series Regulator Accessory	107
29120	Heavy-duty Series Regulator Accessory	107
2920A90	3/4" Drive SAE	166
2920B-TK2	Impact Wrench Tune-up Kit	263
2920P-TK2	Impact Wrench Tune-up Kit	263
2921-TK2	Impact Wrench Tune-up Kit	263
2934A90	1" Drive SAE	166
2934-TK3	Impact Wrench Tune-up Kit	263
29390	Heavy-duty Series Filter Accessory	106
29391	Heavy-duty Series Filter Accessory	106
29392	Heavy-duty Series Filter Accessory	106
29397	Bowl Guard	106, 108
2940-K184	Exhaust Kit	234
2940-TK3	Impact Wrench Tune-up Kit	263
29539	Spring	71, 79
29540	Spring	71, 79
29586	Coalescing Filter Element	69, 80
29594	Spring	89, 91
29595	Spring	89, 91
29596	Spring	89, 91
295-P32	Protective Tool Boot	213
295-TK2	Impact Wrench Tune-up Kit	263
29622	Spring	71, 79
29623	Wall Mount Bracket	89, 91
29660-1	Filter Element	69, 73, 80
29660-2	Filter Element	69, 73, 80
29665	Lubricant	75, 97, 108
29668	Mounting Bracket	71, 73, 79
29754-1	Spring	71, 79
29755-1	Gauge	79
29846	Gauge	71, 73, 79, 115, 121
29850	Gauge	71, 73, 79, 115, 121
29863	Gauge	71, 73, 79, 115, 121
29960	Relieving Service Kit	107
29967	Metal Bowl	106, 108
29969-2	Heavy-duty Series Filter Accessory	106
29970	Heavy-duty Series Regulator Accessory	107
29995	Heavy-duty Series Regulator Accessory	107
29999	U-bolt Mounting Bracket	89, 91, 107
2U-103-1/4	Tapper Collet	194
2U-215	Power Socket Adapter	166, 207
2U-812	Power Screwdriver Adapter	207

Part Number	Description	Page
2U-A925-4	Power Quick Change Chuck	166, 207
3		
3000P-2	Protective Tool Boot	213
3000P-K500	Motor Tune-up Kit	267
310-825-6	Firm Pad	182
311-825-6	Vinyl Pad	182
311A-825-6	Vinyl Pad	182
312-225	Straight Line Pad	182
313-226	Pad Nut	182
313A-226	Pad Nut	182
313A-825-7	Backing Pad	182
315-39	Straight Line Pad	182
317A-825	Backing Pad	182
32024796	Pressure Gauge	141
32026361	Pressure Gauge	141
32026379	Pressure Gauge	141
32029076	Pressure Gauge	141
32121055	Pressure Gauge	141
32170979	Maintenance Kit	12
32231177	Pressure Gauge	141
32245953	Pressure Gauge	141
32270316	Pressure Gauge	141
32270324	Pressure Gauge	141
32270407	Pressure Gauge	141
32270415	Pressure Gauge	141
32270423	Pressure Gauge	141
32299190	Pressure Gauge	141
32305872	Gas Start-up Kit	11
32312936	Gas Start-up Kit	11
32318883	Lubricant	13
32321002	Vibration Pad	12
32332827	Electric Start-up Kit	11
3249	Swivels and Adapter	52
32498511	Gas Start-up Kit	11
328A-826	Sanding Pad Assembly	183
329-500	Saw Blade	192
329-C500	Saw Blade	192
329-F500	Saw Blade	192
33970	8343 Series Blow Gun Accessory	224
34SR-383	Steel Butt	179
36004107	SimplAir SL Stud, Male Straight	44
37993722	Pressure Gauge	141
37993730	Pressure Gauge	141
37995891	Electronic Drain Valve	13
37995909	Electronic Drain Valve	13
37995917	Electronic Drain Valve	13
37995925	Electronic Drain Valve	13
37995933	Electronic Drain Valve	13
37996337	Electronic Drain Valve	13
37997731	Pressure Gauge	141
37998986	Pressure Gauge	141
37998994	Pressure Gauge	141
37999000	Pressure Gauge	141
38000154	Electronic Drain Valve	13
38000808	Electronic Drain Valve	13
38000865	Electronic Drain Valve	13
38000873	Electronic Drain Valve	13
38000881	Electronic Drain Valve	13
38001814	Pressure Gauge	141
38004057	SimplAir SL Elbow, 90° Male Street	44
38004065	SimplAir SL Elbow, 90° Male Street	44
38004073	SimplAir SL Stud, Male Straight	44
38004081	SimplAir SL Stud, Male Straight	44
38004123	SimplAir SL Female Stem Adapter	45
38004131	SimplAir SL Female Stem Adapter	45
38004149	SimplAir SL Female Stem Adapter	45
38004156	SimplAir SL Female Stem Adapter	45
38004164	SimplAir SL Female Stem Adapter	45
38004172	SimplAir SL Female Stem Adapter	45
38004180	SimplAir SL Female Stem Adapter	45
38004198	SimplAir SL Female Stem Adapter	45
38004206	SimplAir SL Female Stem Adapter	45
38004214	SimplAir SL Female Stem Adapter	45
38004222	SimplAir SL Female Stem Adapter	45
38004230	SimplAir SL Female Stem Adapter	45
38004248	SimplAir SL Female Stem Adapter	45
38004255	SimplAir SL Female Stem Adapter	45
38004263	SimplAir SL Female Stem Adapter	45
38004297	SimplAir SL Ferrule	46
38004313	SimplAir SL Ferrule	46
38004321	SimplAir SL Ferrule	46
38004339	Manifold	39, 46, 231
38004347	SimplAir SL Outlet Manifold	46

INDEX

Part Number	Description	Page
38016820	Premium Rubber Hose	58
38027223	Filter Element	18, 230
38027249	Wall Mount Bracket	18, 230
38032165	O-ring Kit	18, 230
38032249	Speed-Lok Air Hose	58
38032926	Speed-Lok Air Hose	58
38032934	Spring Rewind Reel	59
38035424	SimplAir EL Hose Reel	40
38036281	PacE Controller	14
38037602	Air Knives/Shim Set	228
38037610	Air Knives/Shim Set	228
38037628	Air Knives/Shim Set	228
38037636	Air Knives/Shim Set	228
38037644	Air Knives/Shim Set	228
38037651	Air Knives/Shim Set	228
38037669	Air Knives/Shim Set	228
38037677	Air Knives/Shim Set	228
38037685	Line Vacuum	229
38037693	Line Vacuum	229
38037701	Line Vacuum	229
38037719	Line Vacuum	229
38037727	Line Vacuum	229
38037735	Adjustable Spot Cooler	227
38037743	Air Amplifiers/Shim Set	229
38038030	Air Amplifiers/Shim Set	229
38038048	Air Amplifiers/Shim Set	229
38038055	Air Amplifiers/Shim Set	229
38038063	Air Amplifiers/Shim Set	229
38038071	Air Amplifiers/Shim Set	229
38038089	Air Jet	226
38038097	Air Jet	226
38038105	Air Jet	226
38038113	Air Nozzle	226
38038121	Air Nozzle	226
38038139	Air Nozzle	226
38038147	Air Nozzle	226
38038154	Soft-grip Safety Air Guns	227
38038162	Soft-grip Safety Air Guns	227
38038170	Soft-grip Safety Air Guns	227
38038188	Soft-grip Safety Air Guns	227
38039756	SimplAir EL Equal Elbow	38
38039764	SimplAir EL Equal Tee	38
38039772	SimplAir EL Straight Connector	38
38039780	SimplAir EL Stem Elbow	38
38039798	SimplAir EL Reducer	38
38039806	SimplAir EL Reducer	38
38039814	SimplAir EL Reducing Tee	38
38039822	SimplAir EL Male Stem Adapter	39
38039830	SimplAir EL Plug	40
38039848	SimplAir EL Pipe Clip	40
38039855	SimplAir EL Brass Wing Back	39
38041166	PacE II Unit	14
38041596	PolySep Condensate System	16
38041604	PolySep Adsorption Module	16
38041752	PolySep Pump Rebuild Kit	16
38041760	PolySep Pump Rebuild Kit	16
380PQ-2	Protective Tool Boot	213
380PQ-K500	Motor Tune-up Kit	267
380PQ-K600A	Mechanism Tune-up Kit	267
380SQ-2	Protective Tool Boot	213
38330528	Gripple Hang-fast, Loop-fast	48
38330536	Gripple Hang-fast, Loop-fast	48
38330544	Gripple Hang-fast, Loop-fast	48
38330551	Gripple Hang-fast, Loop-fast	48
38330569	Gripple Hang-fast, Stud-fast	49
38330577	Gripple Hang-fast, Stud-fast	49
38330585	Gripple Hang-fast, Stud-fast	49
38330593	Gripple Hang-fast, Stud-fast	49
38330601	Gripple Hang-fast, Toggle-fast	49
38330619	Gripple Hang-fast, Toggle-fast	49
38330627	Gripple Hang-fast, Toggle-fast	49
38330635	Gripple Hang-fast, Toggle-fast	49
38330643	SimplAir EL Loop-fast Hang System	40, 48
38330650	SimplAir EL Loop-fast Hang System	40, 48
38330668	SimplAir EL Loop-fast Hang System	40, 48
38330676	SimplAir EL Loop-fast Hang System	40, 48
38330684	Gripple Hang-fast, Stud-fast	49
38330692	Gripple Hang-fast, Stud-fast	49
38330700	Gripple Hang-fast, Stud-fast	49
38330718	Gripple Hang-fast, Stud-fast	49
38330726	Gripple Hang-fast, Toggle-fast	49
38330734	Gripple Hang-fast, Toggle-fast	49
38330742	Gripple Hang-fast, Loop-fast	48
38330759	Gripple Hang-fast, Loop-fast	48

Part Number	Description	Page
38330767	Gripple Hang-fast, Loop-fast	48
38330775	Gripple Hang-fast, Loop-fast	48
38330783	Gripple Hang-fast, Stud-fast	49
38330791	Gripple Hang-fast, Stud-fast	49
38330809	Gripple Hang-fast, Stud-fast	49
38330817	Gripple Hang-fast, Stud-fast	49
38330825	Gripple Hang-fast, Toggle-fast	49
38330833	Gripple Hang-fast, Toggle-fast	49
38330841	Gripple Hang-fast, Toggle-fast	49
38330858	Gripple Hang-fast, Toggle-fast	49
38330866	Gripple Hang-fast, Loop-fast	48
38330874	Gripple Hang-fast, Loop-fast	48
38330882	Gripple Hang-fast, Loop-fast	48
38330890	Gripple Hang-fast, Loop-fast	48
38330908	Gripple Hang-fast, Loop-fast	48
38330916	Gripple Hang-fast, Loop-fast	48
38330924	Gripple Hang-fast, Loop-fast	48
38330932	Gripple Hang-fast, Loop-fast	48
38332540	SimplAir EL Aluminum Piping	37
38332557	SimplAir EL Straight Connector	38
38332565	SimplAir EL Equal Elbow	38
38332573	SimplAir EL Equal Tee	38
38332581	SimplAir EL Reducer	38
38332599	SimplAir EL Male Stem Adapter	39
38332607	SimplAir EL Male Stem Adapter	39
38332615	SimplAir EL Male Stem Adapter	39
38332623	SimplAir EL Stem Elbow	38
38332631	SimplAir EL Water Trap Tee	41
38332649	SimplAir EL Plug	40
38332656	SimplAir EL Aluminum Piping	37
38332664	SimplAir EL Straight Connector	38
38332672	SimplAir EL Equal Elbow	38
38332680	SimplAir EL Equal Tee	38
38332698	SimplAir EL Male Stem Adapter	39
38332706	SimplAir EL Male Stem Adapter	39
38332714	SimplAir EL Water Tee Converter	41
38332722	SimplAir EL Plug	40
38332730	SimplAir EL Pipe Clip	40
38332748	SimplAir EL Pipe Spacer	40
38332755	SimplAir EL Pipe Clip	40
38332961	SimplAir EL Male Stem Adapter	39
38334314	PacE Controller	14
38335295	Standard Installation Kit	12
38335303	Standard Installation Kit	12
38335311	Standard Installation Kit	12
38335329	Bolts	12
38335337	Standard Installation Kit	12
38335345	Standard Installation Kit	12
38335352	Standard Installation Kit	12
38336897	PolySep Pump Rebuild Kit	16
38339040	PolySep Condensate System	16
38339057	PolySep Adsorption Module	16
38342119	PacE Controller	14
38342127	PacE Controller	14
38432613	CMS 6 Condensate Controller	15
38432621	CMS 6 Condensate Controller	15
38435434	Soft-grip Safety Air Guns	227
38485454	Pressure Gauge	141
38485462	Pressure Gauge	141
3900-XW1-L	.3900TI Extended Warranty Kit	266
3900-XW1-M	.3900TI Extended Warranty Kit	266
3900-XW1-XL	.3900TI Extended Warranty Kit	266
3940-TK1	Impact Wrench Tune-up Kit	263
3942-TK1	Impact Wrench Tune-up Kit	263
3LUB8	Poly Bowl	123
3RL-284	Exhaust Hose	234

4

4100ATH	MS Series Male Coupler	21
4148	Bung Adapter	146
4151JV	Jet-Vac Conversion Kit	236
420ATH	MS Series Female Coupler	21
42493155	Refrigerated ThermoStar	10
42493163	Refrigerated ThermoStar	10
42493171	Refrigerated ThermoStar	10
42493494	Refrigerated DryStar	10
42493502	Refrigerated DryStar	10
42493510	Refrigerated DryStar	10
42493528	Refrigerated DryStar	10
42493536	Refrigerated DryStar	10
42493544	Refrigerated DryStar	10
42501551	Refrigerated DryStar	10
42515809	General Purpose Filter	17
42515817	General Purpose Filter	17

Part Number	Description	Page
42515825	General Purpose Filter	17
42515833	General Purpose Filter	17
42515841	General Purpose Filter	17
42515932	High Efficiency Filter	17
42515940	High Efficiency Filter	17
42515957	High Efficiency Filter	17
42515973	High Efficiency Filter	17
42515981	High Efficiency Filter	17
42526707	Point-of-Use Provider (PUP)	18, 230
42526715	Point-of-Use Provider (PUP)	18
42528455	PolySep Condensate System	16
42528505	PolySep Adsorption Module	16
430ATH	MS Series Male Coupler	21
440ATH	MS Series Female Coupler	21
4429-500	Saw Blade	192
44SR-HM183-5	Moon Steel Butt	179
44SR-M183-5 3/4	Moon Steel Butt	179
45ATH	Female NPT Plug	21, 22, 23
46328	Suspension Bail	247
46490	Exhaust Hose	234
48275-1	Jet-Vac Accessory	236
48402-1	Bit Holder Spindle	244
48403-1	Insert Bit Holder Spindle	244
48404-1	Spindle	244
48405-1	Spindle	244
48732-1	Bench Clamp	241, 242
48804-1	Tune-up Kit	267
48931	Dead Handle	247
48934	Horizontal Hanger	247
49091	Workstation Accessory	242
49091-1	Workstation Accessory	242
49094-1	Non-vacuum Pad	184
49095	Sanding Pad	184
49095-1	Duck Face Pad	184
49096-1	Vacuum Pad	184
49097	Sanding Pad	184
49097-1	Sanding Pad	184
49099-1	Vacuum Pad	184
49600	Jet-Vac Accessory	236
49694	Vacuum Pad	184
49798	Surface Prep Grip	215
49799	Surface Prep Grip	215
49801	Surface Prep Grip	215
49816150	Gas Start-up Kit	11
49879-1	Non-vacuum Pad	184
49880-1	Non-vacuum Pad	184
49973	Jet-Vac Accessory	236
49978	Jet-Vac Conversion Kit	236
49979	Jet-Vac Accessory	236
49982	Jet-Vac Accessory	236
49986	Jet-Vac Accessory	236
49987	Jet-Vac Accessory	236
49988	Jet-Vac Accessory	236
49997	Jet-Vac Accessory	236
4U-103-1/2	Tapper Collet	194
4U-812	Power Screwdriver Adapter	207
4UA9	1/2" Drive SAE	166
4U-A925-7	1/2" Drive SAE	166
4U-A925-7	Power Quick Change Chuck	207

5

50050269	Standard-duty Moil Point	170
50050277	Standard-duty Moil Point	170
50050285	Standard-duty Moil Point	170
50050368	Standard-duty Moil Point	170
50050376	Standard-duty Moil Point	170
50050392	Standard-duty Moil Point	170
50050475	Standard-duty Moil Point	170
50055524	Standard-duty Moil Point	170
50055540	Standard-duty Moil Point	170
50055565	Standard-duty Moil Point	170
50055573	Standard-duty Moil Point	170
50055581	Standard-duty Moil Point	170
50055599	Standard-duty Moil Point	170
50055680	Standard-duty Moil Point	170
50055698	Standard-duty Moil Point	170
50055714	Standard-duty Moil Point	170
50055730	Standard-duty Moil Point	170
50055748	Standard-duty Moil Point	170
50055755	Standard-duty Moil Point	170
500P-K500	Motor Tune-up Kit	267
500P-K600	Mechanism Tune-up Kit	267
500PQ-2	Protective Tool Boot	213
500PS3-2	Protective Tool Boot	213

INDEX

Part Number	Description	Page
50114883	Chisel	170
50185982	Asphalt Cutter	171
50185990	Asphalt Cutter	171
50186014	Digging Chisel	170
50187830	Detachable Shank	171
50187848	Detachable Shank	171
50187855	Detachable Shank	171
50187897	Tamping Pad Square	171
50187897	Rope Thread-jack Rod	173
50189554	Clay Spade	171
50189562	Clay Spade	171
50189570	Clay Spade	171
50189596	Clay Spade	171
50190404	Asphalt Cutter	171
50191790	Chisel	170
50193747	Chisel	170
50193754	Chisel	170
50193879	Chisel	170
50193887	Chisel	170
50193903	Chisel	170
50193937	Chisel	170
50195288	Chisel	170
50195296	Chisel	170
50195320	Chisel	170
50195338	Chisel	170
50195353	Chisel	170
50195361	Chisel	170
50195379	Chisel	170
50196385	Standard-duty Chisel	170
50196401	Standard-duty Chisel	170
50196419	Standard-duty Chisel	170
50197805	Standard-duty Chisel	170
50197821	Standard-duty Chisel	170
50197904	Standard-duty Chisel	170
50197912	Standard-duty Chisel	170
50197938	Standard-duty Chisel	170
50197979	Standard-duty Chisel	170
50197987	Standard-duty Chisel	170
50197995	Standard-duty Chisel	170
50198993	Standard-duty Moil Point	170
50199207	Standard-duty Chisel	170
50199215	Standard-duty Chisel	170
50199223	Standard-duty Chisel	170
50283183	"H" Thread-jack Rod	173
50283241	"H" Thread-jack Rod	173
50283266	"H" Thread-jack Rod	173
50283506	"H" Thread-jack Rod	173
50283555	"H" Thread-jack Rod	173
50283696	"H" Thread-jack Rod	173
502-A925-7	Power Quick Change Chuck	166, 207
50354596	"H" Thread-jack Rod	173
5040TDQ-P535-1	Detachable Torsion Bar	167
5040TDQ-P535-10	Detachable Torsion Bar	167
5040TDQ-P535-11	Detachable Torsion Bar	167
5040TDQ-P535-12	Detachable Torsion Bar	167
5040TDQ-P535-2	Detachable Torsion Bar	167
5040TDQ-P535-3	Detachable Torsion Bar	167
5040TDQ-P535-4	Detachable Torsion Bar	167
5040TDQ-P535-5	Detachable Torsion Bar	167
5040TDQ-P535-6	Detachable Torsion Bar	167
5040TDQ-P535-7	Detachable Torsion Bar	167
5040TDQ-P535-8	Detachable Torsion Bar	167
5040TDQ-P535-9	Detachable Torsion Bar	167
5040-TK2	Impact Wrench Tune-up Kit	263
50712132	"H" Thread-jack Rod	173
50712140	"H" Thread-jack Rod	173
50712728	"H" Thread-jack Rod	173
50712736	"H" Thread-jack Rod	173
50712744	"H" Thread-jack Rod	173
50712751	"H" Thread-jack Rod	173
50712975	"H" Thread-jack Rod	173
50713023	"H" Thread-jack Rod	173
50713031	"H" Thread-jack Rod	173
50713049	"H" Thread-jack Rod	173
50713056	"H" Thread-jack Rod	173
50923	Bulk Hose	58
50G	Air Tool Oil	258
50P	Air Tool Oil	258
510-130	Hose Whip	53
51233690	"H" Thread-jack Rod	173

Part Number	Description	Page
51234052	"H" Thread-jack Rod	173
51234060	"H" Thread-jack Rod	173
51242006	"H" Thread-jack Rod	173
51242014	"H" Thread-jack Rod	173
51242030	"H" Thread-jack Rod	173
51242063	"H" Thread-jack Rod	173
51248318	"H" Thread-carbide Bit	173
51248326	"H" Thread-carbide Bit	173
51248334	"H" Thread-carbide Bit	173
51248342	"H" Thread-carbide Bit	173
51248359	"H" Thread-carbide Bit	173
51248367	"H" Thread-carbide Bit	173
51248375	"H" Thread-carbide Bit	173
51248383	"H" Thread-carbide Bit	173
51248391	"H" Thread-carbide Bit	173
51248409	"H" Thread-carbide Bit	173
51293017	"H" Thread-carbide Bit	173
51299048	Standard-duty Chisel	170
51299097	Pavement Breaker Tune-up Kit	265
51299477	Standard-duty Chisel	170
51299485	Standard-duty Chisel	170
51299493	Standard-duty Chisel	170
51304574	Chisel	170
51305639	"H" Thread-jack Rod	173
51305704	"H" Thread-jack Rod	173
51305860	Standard-duty Moil Point	170
51307155	"H" Thread-carbide Bit	173
51310498	Pavement Breaker Tune-up Kit	265
51356723	"H" Thread-carbide Bit	173
51365708	Rope Thread-jack Rod	173
51365716	Rope Thread-jack Rod	173
51953453	Pavement Breaker Muffler	238
54381090	Electronic Drain Valve	13
54406640	Maintenance Kit	12
54410931	Electronic Drain Valve	13
54521059	SimplAir Speed Line	43
54539127	SimplAir Speed Line	43
54563861	SimplAir SL Union	44
54563895	SimplAir SL Stud, Male Straight	44
54563903	SimplAir SL Stud, Male Straight	44
54563911	SimplAir SL Elbow, 90° Male Street	44
54563937	SimplAir SL Elbow, 90° Male Street	44
54563952	SimplAir SL Elbow, 90° Union	44
54563960	SimplAir SL Tee Union	45
54579248	Electronic Drain Valve	13
54589171	SimplAir SL Union	44
54589189	SimplAir SL Union	44
54589197	SimplAir SL Stud, Male Straight	44
54589213	SimplAir SL Stud, Male Straight	44
54589221	SimplAir SL Stud, Male Straight	44
54589239	SimplAir SL Elbow, 90° Male Street	44
54589247	SimplAir SL Elbow, 90° Male Street	44
54589254	SimplAir SL Elbow, 90° Male Street	44
54589262	SimplAir SL Elbow, 90° Male Street	44
54589270	SimplAir SL Elbow, 90° Union	44
54589288	SimplAir SL Elbow, 90° Union	44
54589296	SimplAir SL Tee Union	45
54589304	SimplAir SL Tee Union	45
54593645	SimplAir SL Wall Mount Back Plate	46
54593652	SimplAir SL Hang/Mount Bracket	46
54593660	SimplAir SL Hang/Mount Bracket	46
54593678	SimplAir SL Hang/Mount Bracket	46
54599527	SimplAir SL Former	46
54599535	SimplAir SL Guide	47
54599543	SimplAir SL Former	46
54599550	SimplAir SL Guide	47
54599568	SimplAir SL Pipe Bender Kit	47
54599592	SimplAir SL End Cap	45
54599618	SimplAir SL End Cap	45
54600721	SimplAir SL End Cap	45
54615828	SimplAir SL Stud, Male Straight	44
54634431	Ball Valve	138
54634449	Ball Valve	138
54634456	Ball Valve	138
54634464	Ball Valve	138
54634472	Ball Valve	138
54634480	Ball Valve	138
54634498	Ball Valve	138
54634514	Ball Valve	138
54742721	SimplAir EL Female Manifold	39
588-215	Retaining Pin	167
588-216	O-ring	167
599-215	Retaining Pin	167
599-216	O-ring	167

Part Number	Description	Page
59H-516H-14	Blank	172
59H-580H	Digging Chisel	172
5A / 5L-TK1	Tune-up Kit	267
5A-49	Dead Handle Adapter	247
5L2C3-B586	Bit Holder Spindle	244
5L2C4-B386	Insert Bit Holder Spindle	244
5L-K184	Exhaust Kit	234
5L-NS-TK1	Tune-up Kit	267
5RA / 5RL-TK1	Tune-up Kit	267
5RA-P730-1	Bit Guide	206
5RA-P730-2	Bit Guide	206
5RA-P730-3	Bit Guide	206
5RL-365	Suspension Bail	247
5RL-NS-TK1	Tune-up Kit	267

6		
Part Number	Description	Page
600-S	600 Series Blow Gun	224
600-SB	600 Series Blow Gun	224
606-S	600 Series Blow Gun	224
60798	Control Handle Nozzle	154
60870	Bung Adapter	145
61113	Wall Mount Bracket	145
61117	Pressure Relief Valve/Kit	139
61118	Pressure Relief Valve/Kit	139
61124	Bronze Ball Valve	155
6120A	Firm Edge Pad	183
6121A	Soft Edge Pad	183
6122A	Firm Edge Pad	183
6123A	Soft Edge Pad	183
612-S	600 Series Blow Gun	224
6130A	Flexible Backing Pad	183
613102VS	Low Pressure Hose Reel	60
613108VS	Low Pressure Hose Reel	60
61332	Low Pressure Hose Reel	60
61338	Low Pressure Hose Reel	60
61352	Low Pressure Hose Reel	60
61357VS	Low Pressure Hose Reel	60
61358	Low Pressure Hose Reel	60
6135A	Sanding/Polishing Pad	183
61372VS	Low Pressure Hose Reel	60
61409	.55-gal Suction Tube	144, 149
61412	.55-gal Suction Tube	149
61432	Medium Pressure Hose Reel	60
61452	Medium Pressure Hose Reel	60
61457VS	Medium Pressure Hose Reel	60
61472VS	Medium Pressure Hose Reel	60
615003-B	16-gal Oil Drain Kit	156
615014	Oil Drain Accessory	156
615028	Low-profile Oil Drain	156
61557VS	Low Pressure Fuel Hose Reel	60
61580	Oil Drain Accessory	156
61601	.55-gal Tube	144
616108VS	High Pressure Hose Reel	60
61634	High Pressure Hose Reel	60
61654	High Pressure Hose Reel	60
61678VS	High Pressure Hose Reel	60
61754	Bronze Ball Valve	155
61H-TK1	Grinder Tune-up Kit	265
62 1 Gal	Air Tool Oil	258
62133	Wall Mount Bracket	149
621514-10	Hose, Swivel, & Nozzle	150
621515-10	Hose, Swivel, & Nozzle	150
621516-10	Hose, Swivel, & Nozzle	150
621517-10	Hose, Swivel, & Nozzle	150
621518-10	Hose, Swivel, & Nozzle	150
621519-10	Hose, Swivel, & Nozzle	150
621520-10	Hose, Swivel, & Nozzle	150
621523-10	Hose, Swivel, & Nozzle	150
621524-10	Hose, Swivel, & Nozzle	150
622514-10	Hose, Swivel, & Nozzle	150
622701-6	Siphon Hose	145
622702-10	Siphon Hose	145
622702-6	Siphon Hose	145
623501-6	Dispensing Hose	145
623501-8	Dispensing Hose	145
624201-10	Dispensing Hose	146
624201-6	Dispensing Hose	146
624401-8	Dispensing Hose	146
6260A	8-pc Socket Set	163
6261D	8-pc Deep Socket Set	163
6262U	7-pc Universal Socket Set	163
6270M	8-pc Metric Socket Set	163
6271MD	8-pc Metric Deep Socket Set	163
6272MU	7-pc Metric Universal Socket Set	163

INDEX

Part Number	Description	Page
628004-12	Coil Hose	56
628004-25	Coil Hose	56
628004-50	Coil Hose	56
628020-12	Coil Hose	56
628020-25	Coil Hose	56
628020-50	Coil Hose	56
628023-12	Coil Hose	56
628023-25	Coil Hose	56
628023-50	Coil Hose	56
629212	Control Handle Nozzle/Hose	154
629226	Control Handle Nozzle/Hose	154
629245-1	Control Handle Nozzle	153
629245-2	Control Handle Nozzle	153
629516	Control Handle Nozzle/Hose	154
629521	Control Handle Nozzle/Hose	154
629742	High-pressure Control Handle	154
6332	Low Pressure Hose Reel	60
6338	Low Pressure Hose Reel	60
635040	ARO-STOP Valve	139
635106	Swivels and Adapter	52
635107	Swivels and Adapter	52
635108	Swivels and Adapter	52
635117	Swivels and Adapter	52
635129	Fluid Dispensing Nozzle	150, 153, 154
635190-1	Metered Control Handle	152
635190-2	Metered Control Handle	152
635190-3	Metered Control Handle	152
635193	High-volume Control Handle	153
635364	Preset, Metered-flow Control	153
635365	Preset, Metered-flow Control	153
635367	Preset, Metered-flow Control	153
635390-1	Metered Control Handle	152
635390-11	Metered Control Handle	152
635390-2	Metered Control Handle	152
635390-22	Metered Control Handle	152
635390-3	Metered Control Handle	152
635390-33	Metered Control Handle	152
635391-1	Non-metered Control Handle	152
635391-11	Non-metered Control Handle	152
635392	Standard-volume Control Handle	153
635395-2	High-volume Control Handle	153
635399	Standard-volume Control Handle	153
6358	Low Pressure Hose Reel	60
636020	Grease Gun Coupler/Adapter	260
636024	Grease Gun Coupler/Adapter	260
636042	Needle Valve	155
636043	Needle Valve	155
636075	Swivels and Adapter	52
636077	Swivels and Adapter	52
636085	Swivels and Adapter	52
636086-B	Swivels and Adapter	52
636087-B	Swivels and Adapter	52
6360A	13-pc Socket Set	164
636101	High-pressure Control Handle	154
636103	High-pressure Control Handle	154
636111	High-pressure Control Handle	154
6361D	13-pc Deep Socket Set	164
6362U	7-pc Universal Socket Set	164
6370M	14-pc Metric Socket Set	164
6370MD	14-pc Metric Deep Socket Set	164
6371MU	7-pc Metric Universal Socket Set	164
637336	Foot Valve	150
637337	Foot Valve	150
6324	Air Tool Oil	258
640015-1	400-lb Drum	148
640015-2	400-lb Drum	148
640015-5	400-lb Drum	148
640027	120-lb Drum	148
640057	16-gal Drum Dolly	146
640058-2	16-gal Drum Dolly	146
640058-2	Oil Drain Accessory	156
640067	Single-post Lift	147
640091	Cover Tie-Down Rods	146
640095-1-B	35-lb Tapered Pail	148
640095-2-B	35-lb Tapered Pail	148
640095-3-B	35-lb Tapered Pail	148
640149	16-gal Drum Hand Truck	146
640152	120-lb Drum	148
640152-1	120-lb Drum	148
640153	Low Level Cut-off	139
640162	120-lb Drum	148
640164	Cover Tie-Down Rods	146
640165	120-lb Drum	148
640225	Single-post Lift	147

Part Number	Description	Page
6432	Medium Pressure Hose Reel	60
6460A	8-pc Socket Set	165
6461D	8-pc Deep Socket Set	165
651830	Inlet Material Filter	144
6560A	8-pc Socket Set	165
6561D	8-pc Deep Socket Set	165
6562A	9-pc Truck Socket Set	165
6563T	5-pc Deep Truck Socket Set	165
65845	Fluid Ball Check Union	155
65986	5-gal Tube	144
65986-1	55-gal Suction Tube	144, 149
66 1 LB	Grease	259
66 8 LB	Grease	259
66100	Wall Mount Bracket	145, 149
66101	Wall Mount Bracket	145
66480	Inlet Material Filter	144
66492	16-gal/120-lb Drum	147
66559	Fluid Ball Check Union	155
66592	Carbon Steel Ball Valve	155
66593	Stainless Steel Ball Valve	155
66779	55-gal Tube	144
66779	55-gal Suction Tube	149
66779-2	275-gal Container	144
66H-TK3	Grinder Tune-up Kit	265
67-1 LB	Grease	259
67 8 LB	Grease	259
67088	Bung Adapter Seal Kit	145
67088-3	Bung Adapter Seal Kit	145
67088-4	Bung Adapter Seal Kit	145
67145-1	Bung Adapter	146
67145-2	Bung Adapter	146
67145-3-B	Bung Adapter	145
67145-4-B	Bung Adapter	145
67231	55-gal Drum Bung Adapter Kit	149
67231-6	55-gal Drum Bung Adapter Kit	149
67231-7	55-gal Drum Bung Adapter Kit	149
67234	Bulk Tank Adapter Kit	150
67234-7	Bulk Tank Adapter Kit	150
67-4T	Grease	259
676	Swivels and Adapter	52
6786	Control Handle Right-angle Nozzle	154
67-LBK1	Air Care Kit	258
6A-99	Heavy-duty Chuck	199
6-DRILLS-TK1	Tune-up Kit	267
6LUB12	Poly Bowl	123
6L2D-A607	Spindle	244
6WS-366	Horizontal Hanger	247
6WT-A327-A	Angle Head Extension	244
6WT-TK1	Tune-up Kit	267

7

70 1 LB	Grease	259
70 8 LB	Grease	259
700P-2	Protective Tool Boot	213
700P-K500	Motor Tune-up Kit	267
70243712	Maintenance Kit	12
7106	3/8" Drive SAE	166
7121	1/2" Drive SAE	166
7175P	Power Driver Extension	166, 207
7181P	Power Driver Extension	166, 207
7270P	Power Universal Joint	166, 207
728-99-KC5	Keyless Chuck	199
728-99-KC8	Keyless Chuck	199
728N-A48	Dead Handle	247
728-TK3	Tune-up Kit	267
73H-16H-18	Blank	172
73H-16H-24	Blank	172
73H-16H-30	Blank	172
73H-16H-36	Blank	172
73H-16HF-18	Flat Blade	172
73H-16HF-24	Flat Blade	172
73H-16HF-30	Flat Blade	172
73H-16HF-36	Flat Blade	172
73H-16HM-18	Moil Point	172
73H-16HM-24	Moil Point	172
73H-16HM-30	Moil Point	172
73H-16HM-36	Moil Point	172
7400SMFE	Lug Nut Service Set	164
7444-J	7444 Series Blow Gun	225
7444-K	7444 Series Blow Gun	225
7470P	Power Universal Joint	166, 207
7565	1" Drive SAE	166
7567	3/4" Drive SAE	166
7570	3/4" Drive SAE	166

Part Number	Description	Page
7655	3/4" Drive SAE	166
76763	Wall Mount Bracket	149
76884	Oil Drain Accessory	156
77-1 LB	Grease	259
77617-Z	Fluid Dispensing Nozzle	150
77A-AM825-5	Sanding Pad Assembly	185
77A-AM825-7	Sanding Pad Assembly	185
77A-AM825-9	Sanding Pad Assembly	185
77H/77A-TK3	Grinder Tune-up Kit	265
7801-99-6	Standard-duty Chuck	199
7802-99	Drill Chuck	199
7802-P32	Protective Tool Boot	213
7803-99	Drill Chuck	199
7806-99-8	Standard-duty Chuck	199
7A-49	Dead Handle Adapter	247
7A-DRILLS-TK1	Tune-up Kit	267
7L-365	Suspension Ball	247, 248
7L-K284	Exhaust Kit	234
7RA-A366	Horizontal Hanger	247
7RA-S/D-TK1	Tune-up Kit	267
7RL-S/D-A/T-TK1	Tune-up Kit	267
7S60-TK2	Grinder Tune-up Kit	265

8

80 1 LB	Grease	259
80 8 LB	Grease	259
8015013	Parameter Transfer Key	250
814	8-pc Bur Kit	189
8338	8338 Series Blow Gun	224
8338-1	8338 Series Blow Gun	224
8338-2	8338 Series Blow Gun	224
8440	8440 Series Blow Gun	225
8451-1	8451 Series Blow Gun	225
8451-2	8451 Series Blow Gun	225
8451-3	8451 Blow Gun Accessory	225
8451-6	8451 Blow Gun Accessory	225
85580470	Ring and Gasket Kit	12
85581445	Bearing Kit	12
85581478	Gasket Kit	12
85581486	Overhaul Kit	12
85582385	Maintenance Kit	12
85582393	Maintenance Kit	12
85582401	Maintenance Kit	12
85582419	Maintenance Kit	12
85582427	Maintenance Kit	12
85582740	Electric Start-up Kit	11
85584316	Valve and Gasket Kit	12
88162466	SimplAir EL Pipe Cutter	40
8823-15	Liquidator Cartridge/Element	135
8823-5	Liquidator Cartridge/Element	135
8824-16	Liquidator Cartridge/Element	135
8824-6	Liquidator Cartridge/Element	135
8826-17	Liquidator Cartridge/Element	135
8826-18	Liquidator Cartridge/Element	135
8826-7	Liquidator Cartridge/Element	135
8826-8	Liquidator Cartridge/Element	135
8828-19	Liquidator Cartridge/Element	135
8828-9	Liquidator Cartridge/Element	135
8828-W2-000	Side-by-side Liquidator	134
8828-W2-M00	Side-by-side Liquidator	134
8829-1	Liquidator Cartridge/Element	135
8829-10	Liquidator Cartridge/Element	135
88306139	SimplAir EL Ball Valves	40
88306402	SimplAir EL Ball Valves	40
88306410	SimplAir EL Ball Valve Nut	40
88306428	SimplAir EL Ball Valve Ferrules	40
88306436	SimplAir EL Ball Valve Nut	40
88306444	SimplAir EL Ball Valve Ferrules	40
8830-W1-000	Stacked Metal Liquidators	133
88315635	SimplAir EL Ball Valves	40
88315643	SimplAir EL Ball Valve Ferrules	40
88315650	SimplAir EL Ball Valve Nut	40
88317359	PacE II Control Valve	14
88317367	PacE II Pilot Regulator	14
88317375	PacE II Cap	14
8832-W1-000	Stacked Metal Liquidators	133
88342977	General Purpose Filter Element	17
88342985	General Purpose Filter Element	17
88342993	General Purpose Filter Element	17
88343009	High Efficiency Filter Element	17
88343017	High Efficiency Filter Element	17
88343025	High Efficiency Filter Element	17
88343124	General Purpose Filter Element	17
88343132	General Purpose Filter Element	17

INDEX

Part Number	Description	Page
88343157	High Efficiency Filter Element	17
88343165	High Efficiency Filter Element	17
88344171	Point-of-Use Provider (PUP) Drain Kit	18, 230
8834-W1-000	Stacked Metal Liquidators	133
8836-W1-M2500	ASA Flange Liquidator	134
8842-035	Liquidator Cartridge/Element	135
8842-W1-020	Stacked Poly Liquidators	133
8842-W1-035	Stacked Poly Liquidators	133
8843-W1-035	Stacked Poly Liquidators	133
8844-060	First and Second Stage Filter	135
8844-060C	Liquidator Cartridge/Element	135
8844-460	Liquidator Cartridge/Element	135
8844-DES	Liquidator Cartridge/Element	135
8844-W1-035	Stacked Poly Liquidators	133
8844-W1-060	Stacked Poly Liquidators	133
8844-W1-090	Stacked Poly Liquidators	133
8844-W1-M60	Stacked Metal Liquidators	133
8846-090	Liquidator Cartridge/Element	135
8846-W1-090	Stacked Poly Liquidators	133
8846-W1-M90	Stacked Metal Liquidators	133
8848-150	Liquidator Cartridge/Element	135
8848-W1-150	Stacked Poly Liquidators	133
8848-W1-M150	Stacked Metal Liquidators	133
8848-W1-M2500	ASA Flange Liquidator	134
8852-W1-M300	Stacked Metal Liquidators	133
8854-W1-M300	Stacked Metal Liquidators	133
8860-W1-M5500	ASA Flange Liquidator	134
88V/88H-TK3	Grinder Tune-up Kit	265
88V60-K184	Exhaust Kit	234
89938443	Retainer	175
89938450	Spring Lock	175
8LUB12	Poly Bowl	123
8SA34-807M	Flush Hex Socket	243
8SA56-807M	Flush Hex Socket	243
8SL-366	Horizontal Hanger	247
8SL-A327-6	Angle Head Extension	244
8SL-A60	Reaction Bar Holder	247
9		
9001-200	Retainer	175
9001-201	Lower Sleeve	175
9001-203	Bumper	175
9001-208	Key	175
9001-220	Upper Sleeve	175
9001-276-12	Chisel	174
9001-276-18	Chisel	174
9001-276-9-1/2	Chisel	174
9001-277-9-1/2	Side Cut Chisel	174
9001-278	Black-out Punch	174
9001-279	Black-out Punch	174
9001-280	Black-out Punch	174
9001-281	Black-out Punch	174
9001-282	Black-out Punch	174
9001-283	Black-out Punch	174
9001-284	Black-out Punch	174
9001-295-9-1/2	Ripper Chisel	174
9001-297-12	Moil Point	174
900P-2	Protective Tool Boot	213
900P-K500	Motor Tune-up Kit	267
900P-K600A	Mechanism Tune-up Kit	267
900PS4-2	Protective Tool Boot	213
90-14 oz	Grease	259
91020-1	5-gal Suction Tube	149
92455377	SimplAir Speed Line	43
92818	Needle Valve	155
93188	Cabinet Label	151
93H-K674	Digger Muffler	238
94420	5-gal/35-lb Pail	147
94421	16-gal/120-lb Drum	147
94422	55-gal/400-lb Drum	147
95183	Fluid Dispensing Nozzle	150
95189	Pump Outlet Adapter	150
95190	Pump Outlet Adapter	150
95199	Fluid Dispensing Nozzle	150
95200	Fluid Dispensing Nozzle	150
95H-K674	Digger Muffler	238
97338099	Electric Start-up Kit	11
97338107	Maintenance Kit	12
97338115	Maintenance Kit	12
97338149	Lubricant	13
97339402	Electronic Drain Valve	13
97339501	Gas Start-up Kit	11
99V/99H-TK3	Grinder Tune-up Kit	265

Part Number	Description	Page
99V60-K184	Exhaust Kit	234
9RB-207	Lock Clip	175
9SL-366	Horizontal Hanger	247
9SL-48	Reaction Bar	247
9SL-A60	Reaction Bar Holder	247
A		
A01-46	Air Hose Nipple Male Thread	27
A03-46	Air Hose Nipple Male Thread	27
AG1-TK1	Grinder Tune-up Kit	265
AG1-XW1	Extended Grinder Warranty Kit	266
AG2-TK1	Grinder Tune-up Kit	265
AG2-XW1	Extended Grinder Warranty Kit	266
AG3-K284	Rear Exhaust Kit	234
AG3-TK1	Grinder Tune-up Kit	265
AG3-XW1	Extended Grinder Warranty Kit	266
AL-387	Air Hose Nipple Male Thread	27
All-Season	Lubricant	13
ARCF22	210-310 Series Female Coupler	26
ARCF33	210-310 Series Female Coupler	26
ARCF23	210-310 Series Male Coupler	26
ARCF33	210-310 Series Hose Stem ID	26
ARCFM22	210-310 Series Male Coupler	26
ARCFM23	210-310 Series Male Coupler	26
ARCFM33	210-310 Series Male Coupler	26
ARPF22	210-310 Series Female Plug	26
ARPF33	210-310 Series Female Plug	26
ARPH22	210-310 Series Hose Stem ID	26
ARPH23	210-310 Series Hose Stem ID	26
ARPH25	210-310 Series Hose Stem ID	26
ARPH33	210-310 Series Hose Stem ID	26
ARPM21	210-310 Series Male Plug	26
ARPM22	210-310 Series Male Plug	26
ARPM32	210-310 Series Male Plug	26
ARPM33	210-310 Series Male Plug	26
AS-1/2	Swivel-It Swivel	52
AS-3/8	Swivel-It Swivel	52
ASA-1/4	Swivel-It Swivel	52
ASC-1/4	Swivel-It Swivel	52
AVC10-TK2	Tune-up Kit	267
AVC26-TK1	Tune-up Kit	267
B		
B12-257R	Circular Saw Blade	192
BH12A	Bulk Hose	58
BH6C	Bulk Hose	58
BH8A	Bulk Hose	58
BHD-15	Heavy-duty Balancer	220
BHD-20	Heavy-duty Balancer	220
BHD-25	Heavy-duty Balancer	220
BHD-30	Heavy-duty Balancer	220
BHD-35	Heavy-duty Balancer	220
BHD-45	Heavy-duty Balancer	220
BHD-55	Heavy-duty Balancer	220
BHD-65	Heavy-duty Balancer	220
BHR-15	Hose Reel Balancer	219
BHR-25	Hose Reel Balancer	219
BHR-8	Hose Reel Balancer	219
BIDS-10	Intermediate-duty Balancer	220
BIDS-14	Intermediate-duty Balancer	220
BIDS-18	Intermediate-duty Balancer	220
BIDS-22	Intermediate-duty Balancer	220
BIDS-26	Intermediate-duty Balancer	220
BIDS-7	Intermediate-duty Balancer	220
BIL-3224	Balancer Accessory	222
BIL-7343	Balancer Accessory	222
BLD1	Light-duty Balancer	219
BLD1/P	Light-duty Balancer (nylon cable)	219
BLD2	Light-duty Balancer	219
BLD3	Light-duty Balancer	219
BMDL-10	Long Cable	219
BMDL-12	Long Cable	219
BMDL-14	Long Cable	219
BMDL-14-Y	Long Cable	219
BMDL-4	Long Cable	219
BMDL-6	Long Cable	219
BMDL-8	Long Cable	219
BMDLL-10	Medium-duty Balancer	219
BMDLL-4	Medium-duty Balancer	219
BMDLL-6	Medium-duty Balancer	219
BMDLL-8	Medium-duty Balancer	219
BMDS-2	Medium-duty Balancer	219
BMDS-4	Medium-duty Balancer	219
BMDS-6	Medium-duty Balancer	219

Part Number	Description	Page
BMDS-8	Medium-duty Balancer	219
BSD-100	Super-duty Balancer	221
BSD-120	Super-duty Balancer	221
BSD-140	Super-duty Balancer	221
BSD-150	Super-duty Balancer	221
BSD-165	Super-duty Balancer	221
BSD-20	Super-duty Balancer	221
BSD-30	Super-duty Balancer	221
BSD-40	Super-duty Balancer	221
BSD-50	Super-duty Balancer	221
BSD-60	Super-duty Balancer	221
BSD-70	Super-duty Balancer	221
BSD-80	Super-duty Balancer	221
BSD-90	Super-duty Balancer	221
BSDL-100	Super-duty Balancer	221
BSDL-115	Super-duty Balancer	221
BSDL-130	Super-duty Balancer	221
BSDL-140	Super-duty Balancer	221
BSDL-150	Super-duty Balancer	221
BSDL-20	Super-duty Balancer	221
BSDL-25	Super-duty Balancer	221
BSDL-35	Super-duty Balancer	221
BSDL-45	Super-duty Balancer	221
BSDL-50	Super-duty Balancer	221
BSDL-60	Super-duty Balancer	221
BSDL-70	Super-duty Balancer	221
BSDL-80	Super-duty Balancer	221
BSDL-90	Super-duty Balancer	221
BU-948	Type "A" Coupler O-rings	29
C		
C04-291	Pipe Line Valve	140
C28111-600	Mini Series Combo Drain	77
C28111-601	Mini Series Combo Drain	77
C28111-800	Mini Series Combo Drain	76
C28111-801	Mini Series Combo Drain	76
C28112-600	Mini Series Combo Drain	77
C28112-601	Mini Series Combo Drain	77
C28112-800	Mini Series Combo Drain	76
C28112-801	Mini Series Combo Drain	76
C28121-600	Mini Series Combo Drain	77
C28121-601	Mini Series Combo Drain	77
C28121-800	Mini Series Combo Drain	76
C28121-801	Mini Series Combo Drain	76
C28122-600	Mini Series Combo Drain	77
C28122-601	Mini Series Combo Drain	77
C28122-800	Mini Series Combo Drain	76
C28122-801	Mini Series Combo Drain	76
C28221-600	Compact Series Piggyback/Lubricator Drain	99
C28221-601	Compact Series Piggyback/Lubricator Drain	99
C28221-610	Compact Series Piggyback/Lubricator Drain	99
C28221-611	Compact Series Piggyback/Lubricator Drain	99
C28221-700	Compact Series Filter/Lubricator	100
C28221-701	Compact Series Filter/Lubricator	100
C28221-710	Compact Series Filter/Lubricator	100
C28221-711	Compact Series Filter/Lubricator	100
C28221-800	Compact Series Combo Drain	98
C28221-801	Compact Series Combo Drain	98
C28221-810	Compact Series Combo Drain	98
C28221-811	Compact Series Combo Drain	98
C28223-600	Compact Series Piggyback/Lubricator Drain	99
C28223-610	Compact Series Piggyback/Lubricator Drain	99
C28223-700	Compact Series Filter/Lubricator Drain	100
C28223-710	Compact Series Filter/Lubricator Drain	100
C28223-800	Compact Series Combo Drain	98
C28223-810	Compact Series Combo Drain	98
C28231-600	Compact Series Piggyback/Lubricator Drain	99
C28231-601	Compact Series Piggyback/Lubricator Drain	99
C28231-610	Compact Series Piggyback/Lubricator Drain	99
C28231-611	Compact Series Piggyback/Lubricator Drain	99
C28231-700	Compact Series Filter/Lubricator Drain	100

INDEX

Part Number	Description	Page
C28231-701	Compact Series Filter/Lubricator Drain	100
C28231-710	Compact Series Filter/Lubricator Drain	100
C28231-711	Compact Series Filter/Lubricator Drain	100
C28231-800	Compact Series Combo Drain	98
C28231-801	Compact Series Combo Drain	98
C28231-810	Compact Series Combo Drain	98
C28231-811	Compact Series Combo Drain	98
C28233-600	Compact Series Piggyback/Lubricator Drain	99
C28233-610	Compact Series Piggyback/Lubricator Drain	99
C28233-700	Compact Series Filter/Lubricator Drain	100
C28233-710	Compact Series Filter/Lubricator Drain	100
C28233-800	Compact Series Combo Drain	98
C28233-810	Compact Series Combo Drain	98
C28241-600	Compact Series Piggyback/Lubricator Drain	99
C28241-601	Compact Series Piggyback/Lubricator Drain	99
C28241-610	Compact Series Piggyback/Lubricator Drain	99
C28241-611	Compact Series Piggyback/Lubricator Drain	99
C28241-700	Compact Series Filter/Lubricator Drain	100
C28241-701	Compact Series Filter/Lubricator Drain	100
C28241-710	Compact Series Filter/Lubricator Drain	100
C28241-711	Compact Series Filter/Lubricator Drain	100
C28241-800	Compact Series Combo Drain	98
C28241-801	Compact Series Combo Drain	98
C28241-810	Compact Series Combo Drain	98
C28241-811	Compact Series Combo Drain	98
C28243-600	Compact Series Piggyback/Lubricator Drain	99
C28243-610	Compact Series Piggyback/Lubricator Drain	99
C28243-700	Compact Series Filter/Lubricator Drain	100
C28243-710	Compact Series Filter/Lubricator Drain	100
C28243-800	Compact Series Combo Drain	98
C28243-810	Compact Series Combo Drain	98
C28351-600	Heavy-duty Series Piggyback/Lubricator Drain	111
C28361-600	Heavy-duty Series Piggyback/Lubricator Drain	111
C31-06-G00	Jumbo Series F-R-L	117
C31-08-G00	Jumbo Series F-R-L	117
C36-06-000	Jumbo Series Filter/Lubricator	117
C36-06-000	Jumbo Series Filter/Lubricator	117
CG-103	Ratchet Grip	214
CG-104	Ratchet Grip	214
CG-106	Ratchet Grip	214
CG-1702P	Impact Grip	214
CG-1720P	Impact Grip	214
CG-205	Impact Grip	214
CG-2705	Impact Grip	214
CG-2707	Impact Grip	214
CG-2906	Impact Grip	214
CG-2920P	Impact Grip	214
CG-2934BA	Impact Grip	214
CG-2940P	Impact Grip	214
CG-302	Surface Prep Grip	215
CG-308	Surface Prep Grip	215
CG-310	Surface Prep Grip	215
CG-311	Surface Prep Grip	215
CG-329	Surface Prep Grip	215
CG-3RL	Assembly Tool Grip	214
CG-3RP	Assembly Tool Grip	214
CG-3RT	Assembly Tool Grip	214
CG-4RL	Assembly Tool Grip	214
CG-4RT	Assembly Tool Grip	214
CG-5RA	Assembly Tool Grip	214
CG-5RL	Assembly Tool Grip	214
CG-6A	Assembly Tool Grip	214
CG-6WT	Assembly Tool Grip	214
CG-6X8	Assembly Tool Grip	214
CG-72	Hammer Grip	215
CG-728	Drill Grip	215
CG-7802	Drill Grip	215
CG-7A	Assembly Tool Grip	214
CG-7RA	Assembly Tool Grip	214
CG-7RL	Assembly Tool Grip	214
CG-7RLD	Assembly Tool Grip	214

Part Number	Description	Page
CG-88V	Surface Prep Grip	215
CG-99V	Surface Prep Grip	215
CG-AV10A	Hammer Grip	215
CG-ST42	Assembly Tool Grip	214
CG-W1A	Hammer Grip	215
CN-20-S	Air Hose Nipple Male Thread	27
CSM-1212	Fitting for Nylon Recoil Hose	55
D		
D01-14	Air Hose Nipple Male Thread	27
D02-455	Air Hose Nipple Male Thread	27
D94SK-228A	Sanding/Polishing Pad	183
DAA40-A23	Exhaust Deflector	243
DAA40-K364	Swivel Hanger	243
DAM120-K48	Mounting Plate Kit	249
DAM-K25	Backcap Kit	243
DAM-K48	Mounting Plate	243
DE-215A	Square Drive Socket Adapter	200
DE-323A-2	Morse Taper Socket	200
DE-99C	Chuck	200
DEA120-K48	Reaction Bar Kit	249
DEA40-CORD-10	Extension Cable	248
DEA40-CORD-20	Extension Cable	248
DG110-700-6MM	Die Grinder Collet	194
DG110-700-G2	Die Grinder Collet	194
DG110-700-G4	Die Grinder Collet	194
DG120-69	Collet Wrench	194
DG120-700-G6	Die Grinder Collet	194
DG20-69A	Collet Wrench	194
DG220-A290-G4	Grinder Collet Body Assembly	194
DG220-A290-G6	Grinder Collet Body Assembly	194
DLB2120-10	Phillips Bit	205
DLB2121-10	Phillips Bit	205
DLB2122-10	Phillips Bit	205
DLB2123-10	Phillips Bit	205
DLB2124-10	Phillips Bit	205
DLB2125-10	Phillips Bit	205
DLB2126-10	Phillips Bit	205
DLB2127-10	Phillips Bit	205
DLB2128-10	Phillips Bit	205
DLB2129-10	Phillips Bit	205
DLB2130-10	Phillips Bit	205
DLB2131-10	Phillips Bit	205
DLB2132-10	Phillips Bit	205
DLB2220-10	Slot Bit	205
DLB2221-10	Slot Bit	205
DLB2222-10	Slot Bit	205
DLB2223-10	Slot Bit	205
DLB2224-10	Slot Bit	205
DLB2321-10	Male/Female Hexagon	205
DLB2322-10	Male/Female Hexagon	205
DLB2323-10	Male/Female Hexagon	205
DLB2324-10	Male/Female Hexagon	205
DLB2420-10	Male/Female Hexagon	205
DLB2421-10	Male/Female Hexagon	205
DLB2422-10	Male/Female Hexagon	205
DLB2423-10	Male/Female Hexagon	205
DLB2424-10	Male/Female Hexagon	205
DLB2425-10	Male/Female Hexagon	205
DLB2426-10	Male/Female Hexagon	205
DLBT825	Torx5™ Head Screws	206
DLS2120	Vacuum Pick-up Sleeve	202
DLS2122	Vacuum Pick-up Sleeve	202
DLS2123	Vacuum Pick-up Sleeve	202
DLS2124	Vacuum Pick-up Sleeve	202
DLS2125	Vacuum Pick-up Sleeve	202
DLS2126	Vacuum Pick-up Sleeve	202
DLS2127	Vacuum Pick-up Sleeve	202
DLS2128	Vacuum Pick-up Sleeve	202
DLS2129	Vacuum Pick-up Sleeve	202
DLS2130	Vacuum Pick-up Sleeve	202
DLS2131	Vacuum Pick-up Sleeve	202
DLS2132	Vacuum Pick-up Sleeve	202
DLS2133	Vacuum Pick-up Sleeve	202
DLS2134	Vacuum Pick-up Sleeve	202
DLW2100TP	Pistol Grip Handle	245
DLW3400	Shaker Box	206
DLW3600	Shaker Box	206
DLW3800	Shaker Box	206
DLW-4100	Insert Bit Holder	204
DP2-01-000-28	Jumbo Series Coalescing Filter Accessory	114

E

Part Number	Description	Page
EAD-6000	Liquidator Desiccant Dryer/Prep Station	134
EC24-DC	Digital Counter	246
EC24-MB	Controller Mount Bracket	245
EL0109B-365	Suspension Bail	246
EL0410BC-53	Vacuum Pick-up Sleeve	202
EP4007N-123	Low Profile Flange	246
EP4007N-239-12A Cord		246
EP4007N-239-25 Cord		246
EP4007N-239-8A Cord		246
EP4007N-239-C6A Cord		246
EP4007N-302	Calibration/Maintenance Labels	246
EP4007N-365	Suspension Bail	246
EP4007N-366	Suspension Bail	246
EP4007N-516	Torque Wrench	245
EP50-TK1	Engraving Pen Tune-up Kit	266
ES40T-249-2	Extension Cable	245
ES60T-675	Torque Cover	246
ETA2-P925	Expert Torque Tester Accessory	251
ETA2-PC99	Expert Torque Tester Accessory	251
ETT-1-US	Expert Torque Tester	251
ETT-12-US	Expert Torque Tester	251
ETT-30-US	Expert Torque Tester	251
ETT-4-US	Expert Torque Tester	251
ETT-QD	Expert Torque Tester Accessory	251
EU-A267	Pipe Line Air Strainer	140
F		
F01-02-000	Inline Series Filter	123
F0-8-1	Type "A" Male NPT Coupler	29
F0-8-1/2	Type "A" Male NPT Coupler	29
F0-8-3/4	Type "A" Male NPT Coupler	29
F0-8-3/8	Type "A" Male NPT Coupler	29
F1612F1	Detented Non-rotating Finder	203
F167F1	Detented Non-rotating Finder	203
F25111-200	Mini Series Standard Filter	69, 76
F25111-201	Mini Series Standard Filter	69, 76
F25111-220	Mini Series Standard Filter	69
F25111-221	Mini Series Standard Filter	69
F25111-300	Mini Series Coalescing Filter	69
F25111-301	Mini Series Coalescing Filter	69
F25111-320	Mini Series Coalescing Filter	69
F25111-321	Mini Series Coalescing Filter	69
F25121-200	Mini Series Standard Filter	69, 76
F25121-201	Mini Series Standard Filter	69, 76
F25121-220	Mini Series Standard Filter	69
F25121-221	Mini Series Standard Filter	69
F25121-300	Mini Series Coalescing Filter	69
F25121-301	Mini Series Coalescing Filter	69
F25121-320	Mini Series Coalescing Filter	69
F25121-321	Mini Series Coalescing Filter	69
F25221-100	Compact Series Filter	85, 98, 100
F25221-101	Compact Series Filter	85, 98, 100
F25221-110	Compact Series Filter	85, 98, 100
F25221-111	Compact Series Filter	85, 98, 100
F25221-300	Compact Series Coalescing Filter	86
F25221-301	Compact Series Coalescing Filter	86
F25221-310	Compact Series Coalescing Filter	86
F25221-311	Compact Series Coalescing Filter	86
F25222-100	Compact Series Filter	87
F25222-110	Compact Series Filter	87
F25222-300	Compact Series Filter	87
F25222-310	Compact Series Filter	87
F25231-100	Compact Series Filter	85, 98, 100
F25231-101	Compact Series Filter	85, 98, 100
F25231-110	Compact Series Filter	85, 98, 100
F25231-111	Compact Series Filter	85, 98, 100
F25231-300	Compact Series Coalescing Filter	86
F25231-301	Compact Series Coalescing Filter	86
F25231-310	Compact Series Coalescing Filter	86
F25231-311	Compact Series Coalescing Filter	86
F25232-100	Compact Series Filter	87
F25232-110	Compact Series Filter	87
F25232-300	Compact Series Filter	87
F25232-310	Compact Series Filter	87
F25241-100	Compact Series Filter	85, 98, 100
F25241-101	Compact Series Filter	85, 98, 100
F25241-110	Compact Series Filter	85, 98, 100
F25241-111	Compact Series Filter	85, 98, 100
F25241-300	Compact Series Coalescing Filter	86
F25241-301	Compact Series Coalescing Filter	86
F25241-310	Compact Series Coalescing Filter	86
F25241-311	Compact Series Coalescing Filter	86
F25242-100	Compact Series Filter	87

INDEX

Part Number	Description	Page
F25242-110	Compact Series Filter	87
F25242-300	Compact Series Filter	87
F25242-310	Compact Series Filter	87
F30-06-000	Jumbo Series Filter	113, 117
F30-06-G00	Jumbo Series Filter	113, 117
F30-08-000	Jumbo Series Filter	113, 117
F30-08-G00	Jumbo Series Filter/Lubricator Component	117
F35-0B-C28	Super-duty Filter	119
F37-0C-A28	Super-duty Filter	119
FBCF33	FULL BORE Female Coupler	23
FBCF34	FULL BORE Female Coupler	23
FBCF44	FULL BORE Female Coupler	23
FBCH33	FULL BORE Female Coupler	23
FBCH34	FULL BORE Hose Stem ID	23
FBCH43	FULL BORE Hose Stem ID	23
FBCH44	FULL BORE Hose Stem ID	23
FBCM34	FULL BORE Male Coupler	23
FBCM43	FULL BORE Male Coupler	23
FBCM44	FULL BORE Male Coupler	23
FBCM46	FULL BORE Male Coupler	23
FH-8-1	Type "A" Hose Coupler	29
FH-8-1/2	Type "A" Hose Coupler	29
FH-8-3/4	Type "A" Hose Coupler	29
FMD2-667	Pin	175
FRP-95-017	Liquidator Poly Bowl	136
FRP-95-209	Jumbo Series Filter Accessory	113
FRP-95-593	Metal Bowl	113, 114, 116, 119, 120, 122
FRP-95-610	Liquidator Drain Kit	136
FRP-95-772	Liquidator Poly Bowl	136
FRP-95-831	Liquidator Poly Bowl	136
FRP-95-832	Polycarbonate Replacement Bowl	113, 116, 122, 136

G

G160HD-700-1/4	Die Grinder Collet	194
GEA15-K48	Reaction Bar Kit	249
GEA40-EXT-10M	Cable	248
GEA40-EXT-20M	Cable	248
GEA40-EXT-40M	Cable	248
GEA40-K364	Swivel Hanger Kit	248
GEA40-K98EL	Lever Kit	248
GEA40-K98SL	Lever Kit	248
GEA4-K48	Mounting Plate Kit	249
GEM120-K48	Flanged Mount Kit	249
GP15-7L-365	Suspension Bail	248
GRP-95-009	Repair Kit Bowl O-ring	135
GRP-95-18	Replacement Drain Kit	136
GRP-95-182	Manual Drain Replacement Kit	113, 114, 116, 119, 120, 122
GRP-95-256	Repair Kit Bowl O-ring	135
GRP-95-257	Repair Kit Bowl O-ring	135
GRP-95-264	Repair Kit Bowl O-ring	135
GRP-95-289	Repair Kit Bowl O-ring	135
GRP-95-676	Metal Bowl	113, 116, 122
GRP-95-734	Wall Mount Pipe Clamp	113, 114, 115, 116, 119, 120, 121, 122
GRP-95-856	Replacement Polycarbonate Bowl	136
GRP-96-000-28	Manual Override Drain	113, 114, 116, 119, 120, 122
GRP-96-10	Liquidator Drain Kit	136
GTH-1	Grease Tube Head	260

H

H2R-203	Rubber Bumper	178
H2R-31	Buffer Washer	178
H-382	Inlet Bushings with Screen	52
H3R-214-12	Blank	176
H3R-214-18	Blank	176
H3R-214-24	Blank	176
H3R-214-36	Blank	176
H3R-214B-12	Scaling Chisel	176
H3R-214D-12	Diamond Point	176
H3R-214E-12	Caulking	177
H3R-214F-12	Flat Chisel	176
H3R-214F-18	Flat Chisel	176
H3R-214F-24	Flat Chisel	176
H3R-214F-36	Flat Chisel	176
H3R-214G-12	Gouge	177
H3R-214J-12	Straight Fuller	177
H3R-214M-12	Moil Point	176
H3R-214M-18	Moil Point	176
H3R-214M-24	Moil Point	176

Part Number	Description	Page
H3R-214M-36	Moil Point	176
H3R-214N-12	Round Nose	177
H3R-214R-12	Ripper	177
H3R-215-12	Blank	176
H3R-215-18	Blank	176
H3R-215-24	Blank	176
H3R-215-36	Blank	176
H3R-215B-12	Scaling Chisel	176
H3R-215D-12	Diamond Point	176
H3R-215E-12	Caulking	177
H3R-215F-12	Flat Chisel	176
H3R-215F-18	Flat Chisel	176
H3R-215F-24	Flat Chisel	176
H3R-215F-36	Flat Chisel	176
H3R-215G-12	Gouge	177
H3R-215J-12	Straight Fuller	177
H3R-215M-12	Moil Point	176
H3R-215N-12	Round Nose	177
H3R-215R-12	Ripper	177
H3R-421-12	Tooth	177
H3R-422-12	Tooth	177
HD168	Socket Driver	202
HFCF22	HI-FLOW Female Coupler	22
HFCF23	HI-FLOW Female Coupler	22
HFCF32	HI-FLOW Female Coupler	22
HFCF33	HI-FLOW Female Coupler	22
HFCF34	HI-FLOW Female Coupler	22
HFCF44	HI-FLOW Male Coupler	22
HFCG22	HI-FLOW Male Coupler	22
HFCG23	HI-FLOW Male Coupler	22
HFCG33	HI-FLOW Male Coupler	22
HFCG34	HI-FLOW Male Coupler	22
HFCG44	HI-FLOW Male Coupler	22
HFCM22	HI-FLOW Male Coupler	22
HFCM23	HI-FLOW Male Coupler	22
HFCM32	HI-FLOW Male Coupler	22
HFCM33	HI-FLOW Male Coupler	22
HFCM34	HI-FLOW Male Coupler	22
HFCM44	HI-FLOW Male Coupler	22
HH1-1190	Standard Retainer	178
HH1-1194	Lock Spring	178
HH-1191	Quick Change #1	178
HH1-214-12	Blank	176
HH1-214-18	Blank	176
HH1-214-24	Blank	176
HH1-214-36	Blank	176
HH1-214B-12	Scaling Chisel	176
HH1-214D-12	Diamond Point	176
HH1-214E-12	Caulking	177
HH1-214F-12	Flat Chisel	176
HH1-214F-18	Flat Chisel	176
HH1-214F-24	Flat Chisel	176
HH1-214F-36	Flat Chisel	176
HH1-214G-60	Flat Chisel	176
HH1-214G-12	Gouge	177
HH1-214J-12	Straight Fuller	177
HH1-214M-12	Moil Point	176
HH1-214M-18	Moil Point	176
HH1-214M-24	Moil Point	176
HH1-214M-36	Moil Point	176
HH1-214N-12	Round Nose	177
HH1-214R-12	Ripper	177
HH1-214T-9	Scaling Chisel	176
HH1-215-12	Blank	176
HH1-215-18	Blank	176
HH1-215-24	Blank	176
HH1-215-36	Blank	176
HH1-215B-12	Scaling Chisel	176
HH1-215D-12	Diamond Point	176
HH1-215E-12	Caulking	177
HH1-215F-12	Flat Chisel	176
HH1-215F-18	Flat Chisel	176
HH1-215F-24	Flat Chisel	176
HH1-215F-36	Flat Chisel	176
HH1-215G-12	Gouge	177
HH1-215J-12	Straight Fuller	177
HH1-215M-12	Moil Point	176
HH1-215M-18	Moil Point	176
HH1-215M-24	Moil Point	176
HH1-215M-36	Moil Point	176
HH1-215N-12	Round Nose	177
HH1-215R-12	Ripper	177
HH1-321-12	Tooth	177
HH1-322-12	Tooth	177

Part Number	Description	Page
HH1-323-12	Scaling Chisel	176
HH1-3400-3	Quick Change #2	178
HH1-A165	Swivel Inlet	52
HH1-SW7/8	Swivel Inlet	52
HH1-VSW1/2	Swivel Inlet	52
HH1-VSW7/8	Swivel Inlet	52
HHW1-213	Buffer Washer	178
HHW1-3450	Quick Change	178
HHW1-A300	Rubber Buffered	178
HHW2-200	Economy Type	178
HS8	Socket	204
HU-A267AT	Pipe Line Air Strainer	140
HX135	Hex Socket Head Bit	203
HX138	Hex Socket Head Bit	203
HX2010-7	Power Bit	206
HX2012-7	Power Bit	206
HX206-7	Power Bit	206
HX207-7	Power Bit	206
HX208-7	Power Bit	206

I

IC-4PIN-6M	Accessory Cable	248
IC-4PIN-10M	Accessory Cable	248
IC-10PIN-6M	Accessory Cable	248
IC-10PIN-10M	Accessory Cable	248
IC-19PIN-5M	Accessory Cable	248
IC-19PIN-10M	Accessory Cable	248
IC-ESTOP	Emergency Stop Button	250
IC-LIGHT-TOWER	Light Tower	250
IC-PALM-RESET	Palm Button Reset Station	249
IC-SELECT-4	Selector Switch	249
IC-SELECT-8	Selector Switch	249
IC-SOCKET-4	Socket Tray	249
IC-SOCKET-8	Socket Tray	249
IC-SW-16	Communication Hub	250
IC-SW-5	Communication Hub	250
IR30127	Air Hose Nipple Male Thread	27
IR48723-2	Workstation Accessory	242
IR49541	Parallel Torque Arm Accessory	241
IR6225	Air Hose Nipple Male Thread	27
IR78217	Air Hose Nipple Male Thread	27
IRBS2-E0	Workstation	242
IRBS2-E24	Workstation	242
IRBS2-NO	Workstation	242
IRBS2-N24	Workstation	242
IRBS3-E0	Workstation	242
IRBS3-E30	Workstation	242
IRBS3-NO	Workstation	242
IRBS3-N30	Workstation	242
IR-GL	IR-G Series Gloves	210
IR-GM	IR-G Series Gloves	210
IR-GXL	IR-G Series Gloves	210
IRPB3-E30	Parallel Torque Arm	241
IRPB3-N30	Parallel Torque Arm	241
IRSA-1	Cylindrical Bur	188
IRSA-11	Cylindrical Bur	188
IRSA-1L	Cylindrical Bur	188
IRSA-2	Cylindrical Bur	188
IRSA-2F	Cylindrical Bur	188
IRSA-3	Cylindrical Bur	188
IRSA-3F	Cylindrical Bur	188
IRSA-5	Cylindrical Bur	188
IRSA-5EC	Cylindrical Bur	188
IRSA-5F	Cylindrical Bur	188
IRSC-1	Cylindrical Bur	188
IRSD-1	Ball-shaped Bur	188
IRSD-3	Ball-shaped Bur	188
IRSF-1	Tree-shaped Bur	189
IRSF-3	Tree-shaped Bur	189
IRSF-5	Tree-shaped Bur	189
IRSG-2	Tree-shaped Bur	189
IRSL-2	Cone-shaped Bur	188
IRSL-3	Cone-shaped Bur	188

J

J3-581	Air Hose Nipple Male Thread	27
--------	-----------------------------	----

K

K-27	Wood Bit Chuck Wrench	200
K4U-A267AT	Pipe Line Air Strainer	140

L

L01-02-000	Inline Series Lubricator	123
L01-03-000	Inline Series Lubricator	123

INDEX

Part Number	Description	Page
L26111-100	Mini Series Lubricator	75, 76, 77
L26111-120	Mini Series Lubricator	75
L26121-100	Mini Series Lubricator	75, 76, 77
L26121-120	Mini Series Lubricator	75
L26221-100	Compact Series Lubricator	97, 98, 99, 100
L26221-110	Compact Series Lubricator	97, 98, 99, 100
L26231-100	Compact Series Lubricator	97, 98, 99, 100
L26231-110	Compact Series Lubricator	97, 98, 99, 100
L26241-100	Compact Series Lubricator	97, 98, 99, 100
L26241-110	Compact Series Lubricator	97, 98, 99, 100
L30-06-000	Jumbo Series Lubricator	116, 117
L30-06-G00	Jumbo Series Lubricator	116, 117
L30-08-000	Jumbo Series Lubricator	116, 117
L30-08-G00	Jumbo Series Lubricator	117
L40-0A-000	Super-duty Lubricator	122
L40-0A-G00	Super-duty Lubricator	122
L40-0B-000	Super-duty Lubricator	122
L40-0B-G00	Super-duty Lubricator	122
L50-0C-000	Super-duty Lubricator	122
L50-0C-G00	Super-duty Lubricator	122
LG1-K2	Pad and Abrasive Kit	185
LG1-K284	Rear Exhaust Kit	234
LG1-K3	Pad and Abrasive Kit	185
LG1-SB418-100-10	Sanding Belt	186
LG1-SB418-60-10	Sanding Belt	186
LG1-SB418-80-10	Sanding Belt	186
LG1-SB812-100-10	Sanding Belt	186
LG1-SB812-60-10	Sanding Belt	186
LG1-SB812-80-10	Sanding Belt	186
LG1-SB818-100-10	Sanding Belt	186
LG1-SB818-60-10	Sanding Belt	186
LG1-SB818-80-10	Sanding Belt	186
LG2-K284	Rear Exhaust Kit	234
LRP-95-058	Jumbo Series Lubricator Accessory	116
LRP-95-060	Super-duty Lubricator Accessory	122
LRP-95-830	Super-duty Lubricator Accessory	122
LRP-96-420	Super-duty Lubricator Accessory	122
LUB-POP	Lubrication Kit	258

M

MO-8-1/2	Type "A" Male NPT Plug	29
MO-8-3/4	Type "A" Male NPT Plug	29
MO-8A-1	Type "A" Male NPT Plug	29
M30-08-F50	Jumbo Series Coalescing Filter	114
M35-0B-C28	Super-duty Coalescing Filter	120
M37-0C-A28	Super-duty Coalescing Filter	120
M631-4	Insert Bit Holder	204
MDY-A8A-3/4	Type "A" Adapter	29
MH-8-1/2	Type "A" Hose Plug	29
MH-8-3/4	Type "A" Hose Plug	29
MH-8A-1	Type "A" Hose Plug	29
MRP-95-941	Liquidator Poly Bowl	136
MSCF22	MS Series Female Coupler	21
MSCF23	MS Series Female Coupler	21
MSCF33	MS Series Female Coupler	21
MSCF44	MS Series Female Coupler	21
MSCH22	MS Series Hose Stem ID	21
MSCH23	MS Series Hose Stem ID	21
MSCH33	MS Series Hose Stem ID	21
MSCH44	MS Series Hose Stem ID	21
MSCM22	MS Series Male Coupler	21
MSCM23	MS Series Male Coupler	21
MSCM33	MS Series Male Coupler	21
MSCM44	MS Series Male Coupler	21
MSPF21	Female NPT Plug	21, 22
MSPF22	Female NPT Plug	21, 22
MSPF23	Female NPT Plug	21, 22
MSPF32	Female NPT Plug	21, 22, 23
MSPF33	Female NPT Plug	21, 22, 23
MSPF43	Female NPT Plug	21, 22, 23
MSPF44	Female NPT Plug	21, 22, 23
MSPF46	Female NPT Plug	21, 22, 23
MSPH22	Hose Stem ID	21, 22
MSPH23	Hose Stem ID	21, 22

Part Number	Description	Page
MSPH33	Hose Stem ID	21, 22, 23
MSPH34	Hose Stem ID	21, 22, 23
MSPH44	Hose Stem ID	21, 22, 23
MSPM21	Male NPT Plug	21, 22
MSPM22	Male NPT Plug	21, 22, 23
MSPM32	Male NPT Plug	21, 22
MSPM33	Male NPT Plug	21, 22, 23
MSPM34	Male NPT Plug	21, 22, 23
MSPM43	Male NPT Plug	21, 22, 23
MSPM44	Male NPT Plug	21, 22, 23
MT1-AL34-1/2	Hose Clamp	59
MT1-AL34-3/4	Hose Clamp	59
MT2-12-1-1/8	Tie Tamper Steel	180
MT2-12-3/4	Tie Tamper Steel	180
MT2-12-3/8	Tie Tamper Steel	180
MT2-12-5/8	Tie Tamper Steel	180
MT2-12-7/8	Tie Tamper Steel	180
MT2-S12-5/8	Tie Tamper Steel	180
MTP-95-504-28	Super-duty Coalescing Filter Accessory	120
MTP-95-551-28	Jumbo Series Coalescing Filter Accessory	114

N

N12-100	Bulk Hose	55
N12-12	Hose, Couplings Both Ends	55
N12-12A	Hose, Swivel One End	54
N12-12B	Hose, Swivel Both Ends	54
N12-25	Hose, Couplings Both Ends	55
N12-25A	Hose, Swivel One End	54
N12-25B	Hose, Swivel Both Ends	54
N12-50	Hose, Couplings Both Ends	55
N12-50A	Hose, Swivel One End	54
N12-50B	Hose, Swivel Both Ends	54
N14-100	Bulk Hose	55
N14-12	Hose, Couplings Both Ends	55
N14-12A	Hose, Swivel One End	54
N14-12B	Hose, Swivel Both Ends	54
N14-25	Hose, Couplings Both Ends	55
N14-25A	Hose, Swivel One End	54
N14-25B	Hose, Swivel Both Ends	54
N14-50	Hose, Couplings Both Ends	55
N14-50A	Hose, Swivel One End	54
N14-50B	Hose, Swivel Both Ends	54
N34-100	Bulk Hose	55
N34-12B	Hose, Swivel Both Ends	54
N34-25B	Hose, Swivel Both Ends	54
N34-50B	Hose, Swivel Both Ends	54
N38-100	Bulk Hose	55
N38-12	Hose, Couplings Both Ends	55
N38-124B	Hose, Swivel Both Ends	54
N38-12A	Hose, Swivel One End	54
N38-12B	Hose, Swivel Both Ends	54
N38-25	Hose, Couplings Both Ends	55
N38-254B	Hose, Swivel Both Ends	54
N38-25A	Hose, Swivel One End	54
N38-25B	Hose, Swivel Both Ends	54
N38-50	Hose, Couplings Both Ends	55
N38-504B	Hose, Swivel Both Ends	54
N38-50A	Hose, Swivel One End	54
N38-50B	Hose, Swivel Both Ends	54
NP6-2	Needle Pressure Gauge	141
NP6-A1	Needle Pressure Gauge	141
NS11-122-19	Replacement Needle	180
NS11-22-19	Replacement Needle	180
NS11-B22-19	Replacement Needle	180
NS11-S22-19	Replacement Needle	180
NS11A	Round Needle Housing	180
NS11A7	Round Needle Housing	180
NS11AS	Round Needle Housing	180
NS11B7	Rectangular Needle Housing	180
NS11BB	Rectangular Needle Housing	180
NS11BS	Rectangular Needle Housing	180

P

P12-10R	Polyurethane Coil Hose	57
P12-20R	Polyurethane Coil Hose	57
P12-30R	Polyurethane Coil Hose	57
P12-RFR	Fitting Kit	57
P12-RMS	Fitting Kit	57
P14-10	Polyurethane Coil Hose	57
P14-20	Polyurethane Coil Hose	57
P14-30	Polyurethane Coil Hose	57
P14-RMR	Fitting Kit	57
P14-RMS	Fitting Kit	57

Part Number	Description	Page
P25-228	Grease Gun Accessory	260
P283-7	Power Bit	206
P284-7	Power Bit	206
P29112-100	Mini Series Piggyback	73
P29112-104	Mini Series Piggyback	73
P29112-120	Mini Series Piggyback	73
P29112-124	Mini Series Piggyback	73
P29112-600	Mini Series Combo Drain	77
P29112-604	Mini Series Combo Drain	77
P29122-100	Mini Series Piggyback	73
P29122-104	Mini Series Piggyback	73
P29122-120	Mini Series Piggyback	73
P29122-124	Mini Series Piggyback	73
P29122-600	Mini Series Combo Drain	77
P29122-604	Mini Series Combo Drain	77
P29221-100	Compact Series Piggyback	91
P29221-104	Compact Series Piggyback	91
P29221-110	Compact Series Piggyback	91
P29221-114	Compact Series Piggyback	91
P29221-600	Compact Series Piggyback	91, 99
P29221-604	Compact Series Piggyback	91, 99
P29221-610	Compact Series Piggyback	91, 99
P29221-614	Compact Series Piggyback	91, 99
P29231-100	Compact Series Piggyback	91
P29231-104	Compact Series Piggyback	91
P29231-110	Compact Series Piggyback	91
P29231-114	Compact Series Piggyback	91
P29231-600	Compact Series Piggyback	91, 99
P29231-604	Compact Series Piggyback	91, 99
P29231-610	Compact Series Piggyback	91, 99
P29231-614	Compact Series Piggyback	91, 99
P29241-100	Compact Series Piggyback	91
P29241-104	Compact Series Piggyback	91
P29241-110	Compact Series Piggyback	91
P29241-114	Compact Series Piggyback	91
P29241-600	Compact Series Piggyback	91, 99
P29241-604	Compact Series Piggyback	91, 99
P29241-610	Compact Series Piggyback	91, 99
P29241-614	Compact Series Piggyback	91, 99
P29351-600	Heavy-duty Series Piggyback/Lubricator	111
P29351-604	Heavy-duty Series Piggyback/Lubricator	111
P29361-600	Heavy-duty Series Piggyback/Lubricator	111
P29361-604	Heavy-duty Series Piggyback/Lubricator	111
P35-46	Air Hose Nipple Male Thread	27
P363-7	Power Bit	206
P38-10	Polyurethane Coil Hose	57
P38-20	Polyurethane Coil Hose	57
P38-30	Polyurethane Coil Hose	57
P38-RMR	Fitting Kit	57
P38-RMS	Fitting Kit	57
P500-850	Wool Polishing Bonnet	183
PDS-2000	Liquidator Desiccant Dryer/Prep Station	134
PFRS21-200	Compact Series Precision Regulator, F-R	95
PFRS21-400	Compact Series Precision Regulator, F-R	95
PFRS21-500	Compact Series Precision Regulator, F-R	95
PFRS21-600	Compact Series Precision Regulator, F-R	95
PFRS31-200	Compact Series Precision Regulator, F-R	95
PFRS31-400	Compact Series Precision Regulator, F-R	95
PFRS31-500	Compact Series Precision Regulator, F-R	95
PFRS31-600	Compact Series Precision Regulator, F-R	95
PR4021-100	Compact Series Precision Air Regulator	93
PR4021-200	Compact Series Precision Air Regulator	93
PR4021-300	Compact Series Precision Air Regulator	93
PR4031-100	Compact Series Precision Air Regulator	93
PR4031-200	Compact Series Precision Air Regulator	93
PR4031-300	Compact Series Precision Air Regulator	93
PRPF22	PR Series Female Connector Plug	25
PRPF23	PR Series Female Connector Plug	25
PRPF32	PR Series Female Connector Plug	25
PRPF33	PR Series Female Connector Plug	25
PRPF44	PR Series Female Connector Plug	25
PRPH22	PR Series Hose Barb Connector Plug	25
PRPH23	PR Series Hose Barb Connector Plug	25
PRPH33	PR Series Hose Barb Connector Plug	25
PRPH34	PR Series Hose Barb Connector Plug	25
PRPH44	PR Series Hose Barb Connector Plug	25
PRPH45	PR Series Hose Barb Connector Plug	25
PRPH46	PR Series Hose Barb Connector Plug	25

INDEX

Part Number	Description	Page
PRPM22	PR Series Male Connector Plug	25
PRPM23	PR Series Male Connector Plug	25
PRPM32	PR Series Male Connector Plug	25
PRPM33	Male NPT Plug	21, 22, 25
PRSGF22	PR Series Female Thread Coupler	24
PRSGF23	PR Series Female Thread Coupler	24
PRSGF33	PR Series Female Thread Coupler	24
PRSGF34	PR Series Female Thread Coupler	24
PRSGF43	PR Series Female Thread Coupler	24
PRSGF44	PR Series Female Thread Coupler	24
PRSGF46	PR Series Female Thread Coupler	24
PRSGH22	PR Series Hose Barb Coupler	24
PRSGH23	PR Series Hose Barb Coupler	24
PRSGH33	PR Series Hose Barb Coupler	24
PRSGH34	PR Series Hose Barb Coupler	24
PRSGH43	PR Series Hose Barb Coupler	24
PRSGH44	PR Series Hose Barb Coupler	24
PRSGH45	PR Series Hose Barb Coupler	24
PRSGH46	PR Series Hose Barb Coupler	24
PRSGM22	PR Series Male Thread Coupler	24
PRSGM23	PR Series Male Thread Coupler	24
PRSGM33	PR Series Male Thread Coupler	24
PRSGM34	PR Series Male Thread Coupler	24
PRSGM43	PR Series Male Thread Coupler	24
PRSGM44	PR Series Male Thread Coupler	24
PRSGM46	PR Series Male Thread Coupler	24
PRSS21-200	Compact Series Precision Regulator, F-R	95
PRSS21-400	Compact Series Precision Regulator, F-R	95
PRSS21-500	Compact Series Precision Regulator, F-R	95
PRSS21-600	Compact Series Precision Regulator, F-R	95
PRSS31-200	Compact Series Precision Regulator, F-R	95
PRSS31-400	Compact Series Precision Regulator, F-R	95
PRSS31-500	Compact Series Precision Regulator, F-R	95
PRSS31-600	Compact Series Precision Regulator, F-R	95

R		
R000A2-103	Buffer Washer Ring	178
R000A2-228	Grease Gun Accessory	260
R00-146	Air Hose Nipple Male Thread	27
R00-147	Air Hose Nipple Female Thread	27
R00A-99	Heavy-duty Chuck	199
R00H-130	Hose Whip	53
R0-130	Hose Whip	53
ROB1J61-565	Inlet Bushings with Screen	52
ROH-99	Medium-duty Chuck	199
ROH-A925-4	Quick Change Adapter	198
ROH-P212-3/8	Square Drive Adapter	198
R0K-99	Heavy-duty Chuck	199
R1-47	Air Hose Nipple Female Thread	27
R1A-130	Hose Whip	53
R1A-A48	Reaction Bar	247
R1A-A48	Dead Handle	247
R1N-99A	Drill Chuck	199
R27111-100	Mini Series Relieving Regulator	71
R27111-200	Mini Series Relieving Regulator	71
R27111-600	Mini Series Relieving Regulator	71, 76
R27111-700	Mini Series Relieving Regulator	71
R27121-100	Mini Series Relieving Regulator	71
R27121-200	Mini Series Relieving Regulator	71
R27121-600	Mini Series Relieving Regulator	71, 76
R27121-700	Mini Series Relieving Regulator	71
R27221-100	Compact Series Regulator	89
R27221-200	Compact Series Regulator	89
R27221-600	Compact Series Regulator	89, 98
R27221-700	Compact Series Regulator	89
R27231-100	Compact Series Regulator	89
R27231-200	Compact Series Regulator	89
R27231-600	Compact Series Regulator	89, 98
R27231-700	Compact Series Regulator	89
R27241-100	Compact Series Regulator	89
R27241-200	Compact Series Regulator	89
R27241-600	Compact Series Regulator	89, 98
R27241-700	Compact Series Regulator	89
R2H-99	Drill Chuck	199
R30-06-000	Jumbo Series Regulator	115, 117
R30-08-000	Jumbo Series Regulator	115, 117

Part Number	Description	Page
R30-0A-000	Super-duty Regulator	121
R33SW-151-1/2	Wood Bit Chuck	200
R40-0B-000	Super-duty Regulator	121
R40-0C-000	Super-duty Regulator	121
R4-103	Type "A" Coupler O-rings	29
R4J-214	Socket Adapter	198
R5SM-214	Socket Adapter	198
RK090	Fitting for Nylon Recoil Hose	55
RK092	Fitting for Nylon Recoil Hose	55
RK110	Fitting for Nylon Recoil Hose	55
RK112	Fitting for Nylon Recoil Hose	55
RK114	Fitting for Nylon Recoil Hose	55
RK118	Fitting for Nylon Recoil Hose	55
RK119	Fitting for Nylon Recoil Hose	55
RO-A390-1/4	Grinder Collet Body Assembly	194
RR1000SS	Socket Retainer	167
RR10008S	Socket Retainer	167
RR10010S	Socket Retainer	167
RR10015S	Socket Retainer	167
RR10017S	Socket Retainer	167
RR10019S	Socket Retainer	167
RR10020S	Socket Retainer	167
RR10025S	Socket Retainer	167
RR10030S	Socket Retainer	167
RR10032S	Socket Retainer	167
RR10034S	Socket Retainer	167
RR10035S	Socket Retainer	167
RSVK-5	Jet-Vac Conversion Kit	236
RX2-631-4	Insert Bit Holder	204

S		
S120-TK1	Circular Saw Tune-up Kit	265
S12-506	Circular Saw Accessory	192
S12-A86	Circular Saw Accessory	192
SBB4-AR	Bio Brace	216
SBB4-IR	Bio Brace	216
SBB4-VS	Bio Brace	216
SEG3A-CGK	Bio Brace	216
SEG3AH-CL	Ergo-Grip	216
SEG3A-IR	Ergo-Grip	216
SEG3-AR	Ergo-Grip	216
SEG3H-AR	Ergo-Grip	216
SEG4-AR	Ergo-Grip	216
SEG4-CL	Ergo-Grip	216
SEG4H-AR	Ergo-Grip	216
SEG4H-CL	Ergo-Grip	216
SEG4H-IR	Ergo-Grip	216
SEG4-IR	Ergo-Grip	216
SPB082-5	Power Square Insert Bit	207
SPB083-5	Power Square Insert Bit	207
SPB084-5	Power Square Insert Bit	207
SRA010-TK1	Circular Saw Tune-up Kit	265
SSV22	Compact Series Soft-Start Valve	104
SSV23	Compact Series Soft-Start Valve	104
SSV24	Compact Series Soft-Start Valve	104
ST10	Blow Gun Tips	224
ST11	Blow Gun Tips	224
ST206	.600 Series Blow Gun Extensions	224
ST212	.601 Series Blow Gun Extensions	224
ST900-267-24	Pipe Line Air Strainer	140
ST900-267-32	Pipe Line Air Strainer	140

T		
T05-99A	Chuck	200
T12-347	Chuck Nut	200
TA-461	Nut	200
TA-A291	Wood Bit Chuck Assembly	200
TC-365	Large Drill Accessory	200
TC-461	Large Drill Accessory	200
TGSL2-P32	Protective Tool Boot	213
TGSL-GL	TGSL-G Series Gloves	210
TGSL-GM	TGSL-G Series Gloves	210
TGSL-GXL	TGSL-G Series Gloves	210
TNT-GL	TNT-G Series Gloves	210
TNT-GM	TNT-G Series Gloves	210
TNT-GXL	TNT-G Series Gloves	210
TRH-40-23-G	Flanged Cover	240
TRH-40-23-R	Flanged Cover	240
TRH-40-23-Y	Flanged Cover	240
TRH-40-24-B	Non-flanged Covers	240
TRH-40-24-G	Non-flanged Covers	240
TRH-40-24-R	Non-flanged Covers	240
TRH-40-24-Y	Non-flanged Covers	240
TRL2-A607-Q4	Bit Holder Spindle	244

Part Number	Description	Page
TRL2-A607-S4	Spindle	244
TRL2-A607-S6	Spindle	244
TRL-415-1	Clutch Housing Cover	240
TRL-415-2	Clutch Housing Cover	240
TRL-415-3	Clutch Housing Cover	240
TRL-415-4	Clutch Housing Cover	240
TRP-40-B-B	Pistol Buttplate	240
TRP-40-B-G	Pistol Buttplate	240
TRP-40-B-R	Pistol Buttplate	240
TRP-A365	Horizontal Hanger	247

U		
UD-301-M	Universal Dead End	28
UF-100-M	Universal Female Threaded End	28
UF-50-M	Universal Female Threaded End	28
UF-75-M	Universal Female Threaded End	28
UG-100	Universal Coupler Gasket	28
UH-100-M	Universal Hose End	28
UH-50-M	Universal Hose End	28
UH-75-M	Universal Hose End	28
UM-100-M	Universal Male Threaded End	28
UM-37-M	Universal Male Threaded End	28
UM-50-M	Universal Male Threaded End	28
UM-75-M	Universal Male Threaded End	28
UW-300-B	Universal 3-Way	28

W		
WF-14-7	Scaler Chisel	180
WF-14-7-1/8	Scaler Chisel	180
WF-14A-6-1/8	Scaler Chisel	180
WF-14B-11-1/2	Scaler Chisel	180
WF-14G	Scaler Chisel	180

X		
X01-04-000	Liquidator Drain Kit	136
X01-04-M00	Liquidator Drain Kit	136
XF1612	Detented Bit	203
XF167	Detented Bit	203
XP161	Phillips Bit	202
XP162	Phillips Bit	202
XP221	Phillips Bit	202
XP222	Phillips Bit	202
XP223	Phillips Bit	202
XP481	Phillips Bit	202
XP483	Phillips Bit	202
XPB073	Phillips Insert Bit Holder	204
XPZ161	Pozidriv™ Bit	202
XPZ163	Pozidriv™ Bit	202
XPZB072	Pozidriv™ Insert Bit Holder	204
XR3010	Rotating Finder Bit	206
XR3012	Rotating Finder Bit	206
XR306	Rotating Finder Bit	206
XR308	Rotating Finder Bit	206
XRP161	Reed and Prince Head Bit	203
XRP-95-746	Liquidator Poly Bowl	136
XRP-95-978	Liquidator Drain Kit	136
XRP-96-244	Liquidator Drain Kit	136

Y		
Y237-2	Mini Series Modular Kit	80
Y26-1	Globe Valve	155
Y27-2-C	Mini Series Modular Kit	80
Y27-54-C	Heavy-duty Series Pipe Nipple	109, 110
Y27-55-C	Heavy-duty Series Pipe Nipple	109, 110
Y27-56-C	Heavy-duty Series Pipe Nipple	109, 110
Y28-1	Plug Valve	155
Y28-2	Plug Valve	155
Y57-1	Heavy-duty Series Twist Drain	106, 108